

V-Mic D3 Pro

Directional Condenser Shotgun Microphone

Product Manual

English

Foreward

Thank you for purchasing the DEITY V-Mic D3 Pro.

Instructions

- Please read this product manual carefully.
- Keep this product manual. Always include this product manual when passing the products on to third parties.
- Heed all warnings and follow all instructions in this product manual.

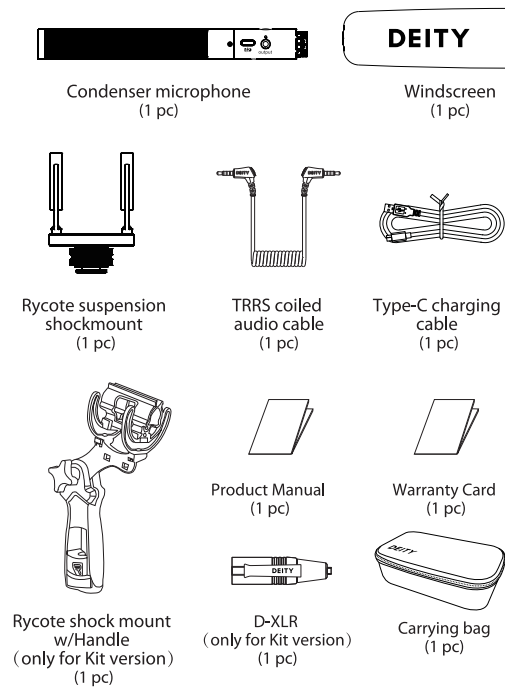
- WARNING:** Do not place the product in a place where there are corrosive chemicals to protect the product from corrosion, corrosion may cause the product to malfunction.
- Use only a microfiber and dry cloth for cleaning the product.
 - Operate carefully to not cause any damage by dropping or physical shocking it.
 - Keep all liquids away from the product. Liquids entering the product can short-circuit the electronics or damage the mechanics.
 - Keep storing the product in a dry, clean, dust-free environment.
 - Please have the product checked by the authorized service or agent if your product has some problems. Please note that this warranty does not apply to repair arising out of the malfunction of unauthorized disassembly, although you may request such repairs on a chargeable basis.
 - The product is certificated by RoHS and CE. Please operate the product in compliance with the operation standards. Please note that this warranty does not apply to repair arising out of the malfunction, although you may request such repairs on a chargeable basis.
 - The instructions and information in this manual are based on thorough, controlled company testing procedures. Further notice will not be given if the design and specifications change.

Intended Use

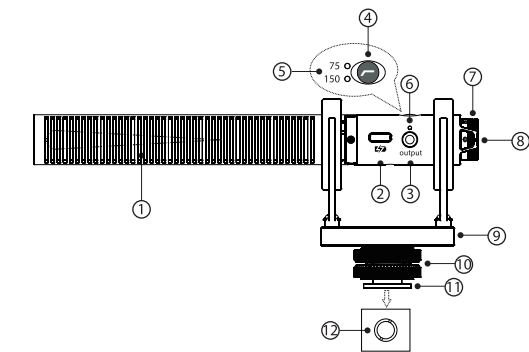
- Intended use of the DEITY V-Mic D3 Pro includes:
- The user has read the instructions of this manual.
 - The user is using the products within the operating conditions and limitations described in this product manual.
 - "Improper use" means using the products other than as described in these instructions or under operating conditions which differ from those described herein.

Item Check List

Package includes the following items:



Nomenclature

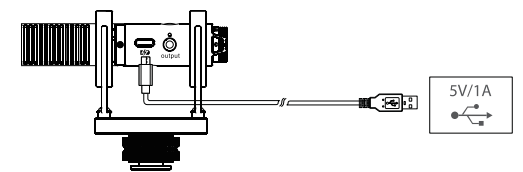


- ① Acoustic Slots
- ② Type-C Charging Socket
- ③ 3.5mm TRRS Audio Output Socket
- ④ Low-cut Filter (LCF)/Power Button
- ⑤ Low-cut Filter (LCF) Status LED
- ⑥ Power / Status LED
- ⑦ Gain Adjustment Knob
- ⑧ Gain Alignment Line
- ⑨ Shockmount Base
- ⑩ Locking Wheel
- ⑪ Cold Shoe
- ⑫ 3/8" to 1/4" Removable Threaded Sleeve

Operations

1. How to Charge the Battery?

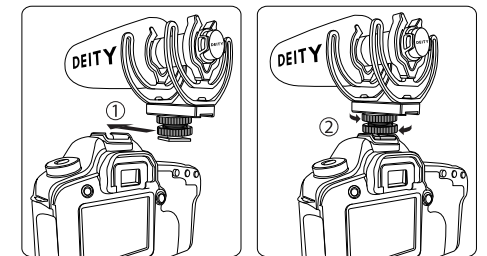
The battery is charged using the included Type-C cable connected to a 5V/1A (or higher current) USB Charger (Not included).



- *When charging, the LED light will flash between red and green.
- *When full charged, the LED light stays green.

2. Microphone Installation

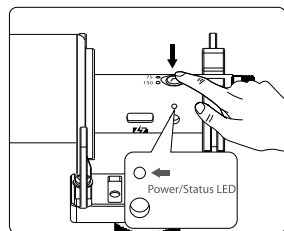
- *First, mount the microphone to the camera's cold-shoe.
- *Second, twist the lock down to secure it to the camera.



* V-Mic D3 Pro works out of the box with Cameras, Recorders, Smart-phones, Laptops, and Tablets that feature "Plug-in-Power".

3. Power On&Off/LED Status

Long press (>2s) the LCF/Power button to turn on/off the mic, connect the mic and recording device with the included TRRS coiled audio cable, then you can start recording.

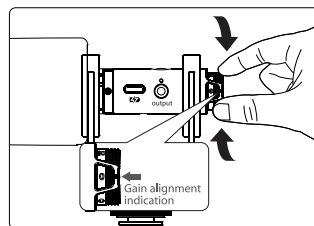


- Orange light fades out = standby
- Long green light= recording device connected
- Long red light= low power

*If the microphone is in standby mode for 15 minutes it will automatically turn off. When in standby mode, it will (quick-wake/sleep automatically) when your device turns on/off.

4. Gain Adjustment

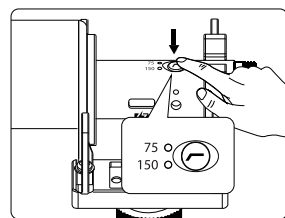
+20dB Gain can be added as needed by adjusting the gain knob. When calibrating your microphone to a camera, start with your gain knob position at 6.



Adjust the gain knob as needed while recording. You can check the gain level on the left side of the knob.

5. Low-cut Filter (LCF)

Click the LCF button on the top to cycle through 75Hz, 150Hz, or turn off the low-cut as needed.

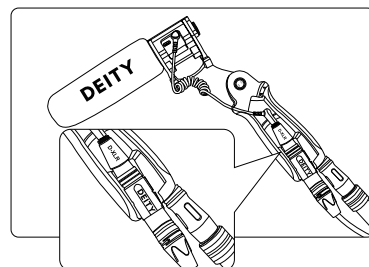


- LCF status LED(75Hz) blue light=75Hz low-cut
- LCF status LED(150Hz) blue light=150Hz low-cut
- Both LCF status LEDs are off= the LCF is disabled

Reminder: Please use Low-cut filter when it is necessary, otherwise it might affect your recording. Low-Cut is meant to reduce light wind noise.

6. How to Use D-XLR(Only for Kit Version)?

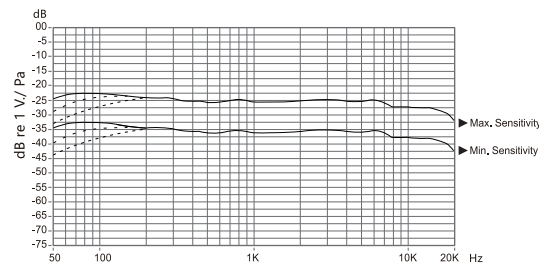
Plug the D-XLR into your XLR cable, connect the TRRS cable between the D3 Pro and the D-XLR. When phantom power is turned on the LED light of the D3 Pro will turn green.



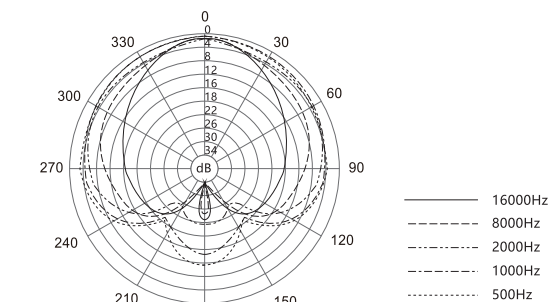
V-Mic D3 Pro is boom pole friendly with included D-XLR adapter. (TRRS to 3-pin XLR)

Specifications

1. Frequency Response



2. Polar Pattern



3. Performance Parameter

Polar Pattern	Super Cardioid
Maximum SPL	130 dB SPL (@1KHz, 1% THD into 1KΩ)
Frequency Range	50Hz~20kHz
THD	≤0.1%
Output Impedance	200Ω
Sensitivity	-24dB~-44dB re 1V/Pa @ 1kHz
Low-cut Filter(LCF)	75Hz/150Hz
Signal/Noise	max. 84dB @-24dB sensitivity (re 1V/Pa@1kHz)
Battery Life	>50Hrs
Battery capacity	320mAh
Working Current	6.3mA
Temperature range	-10 °C to +70 °C
Battery Charger	USB Type-C cable
Charging Time	<2Hrs
Dimensions	Φ21 x 189mm
Net Weight	143g(shot gun 78g)

Things You Might Want to Know:

1. According to our many tests, we have found some recording devices which are incompatible with D3 Pro because of the different interface standard. The list will be updated in the future if necessary. Please visit our website for the list. <https://www.deitymic.com/v-mic-d3-pro/>
2. After checking the mic is working properly, please kindly switch it off and charge it fully (100%) then start using it.
3. When installing, please avoid the acoustic slots being blocked by the shockmount.

Trademarks

Rycote is trademark or registered trademark of Rycote in China or other countries. All other corporate and product names and trademarks mentioned in this manual are the property of their respective owners.