



CINEMA EOS SYSTEM

Ver. 1.1

在使用本产品之前，请务必先仔细阅读本使用说明书。
请务必妥善保管好本书，以便日后能随时查阅（保留备用）。
请在充分理解内容的基础上，正确使用。



日本語

システム拡張
ユーザーガイド

English

System Expansion
User Guide

Français

Extension du système
Guide d'utilisation

Deutsch

Systemerweiterung
Benutzerhandbuch

Italiano

Espansione del sistema
Guida utente

Español

Expansión del sistema
Guía de usuario

Русский

Руководство пользователя
системы расширения

简体中文

系统扩展用户指南

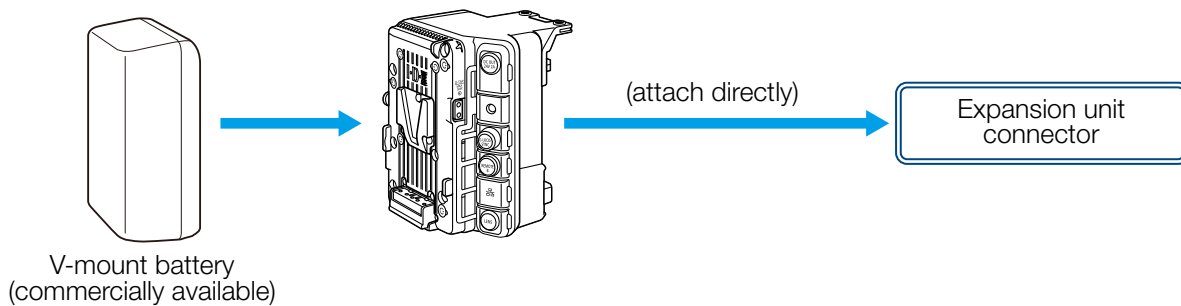
EU-V2 Expansion Unit 2

This expansion unit offers additional terminals and controls that add functionality to the camera. These include: a V-lock mount for commercially available large-capacity batteries, menu operation buttons and joystick (including one assignable button), Genlock synchronization, advanced remote control (circular 8-pin jack), wired network (Ethernet) functionality, additional audio inputs and controls, lens communication (12-pin serial) and power outputs.

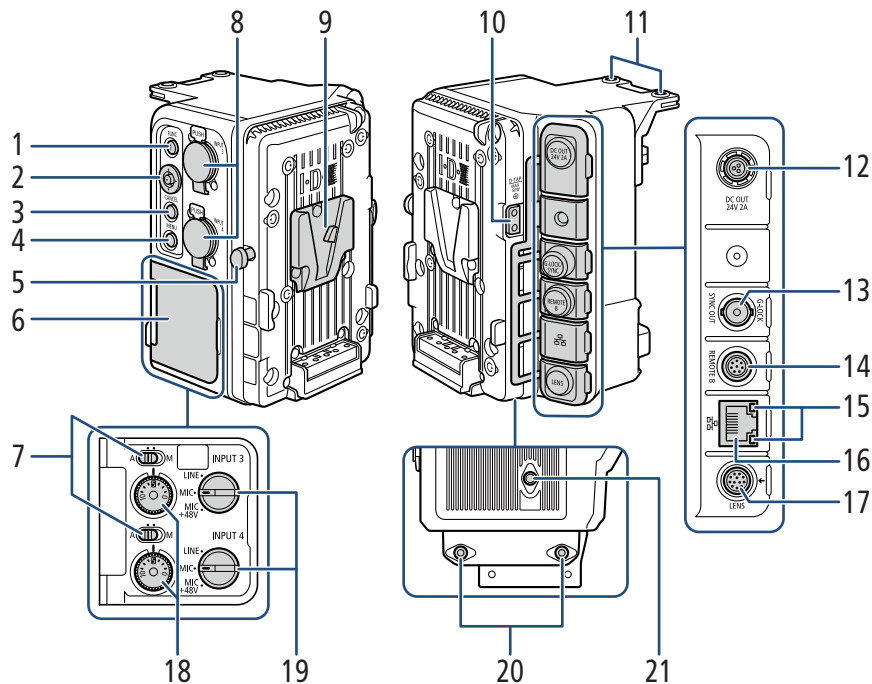
Depending on the terminal/function used, power is supplied either from the camera, or from a commercially available V-mount battery attached to the EU-V2.

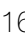
Supplied Accessories

- Connector cover
- M4 hex socket head bolts (x4)



Names of Parts



- 1 FUNC (main functions) button¹/
Assignable button Exp. Unit EU-V2: 1
- 2 Joystick¹
- 3 CANCEL button¹
- 4 MENU button¹
- 5 V-mount battery release latch
- 6 Cover for audio controls
- 7 Audio level switches for CH3 (top) and CH4
(bottom)¹
- 8 INPUT terminals (XLR): INPUT 3 (top), INPUT 4
(bottom)^{1, 2}
- 9 V-shaped battery mount (V-mount)
- 10 D-TAP terminal²
- 11 Screw holes for fixation bolts (x2)
- 12 DC OUT 24V 2A terminal²
- 13 G-LOCK/SYNC OUT (Genlock/
synchronization) terminal¹
 - The terminal's function (Genlock input/
reference signal output) is changed using the
menu. See the [System Setup] menu
settings' table in the instruction manual of the
camera being used.
- 14 REMOTE B terminal¹
 - For connecting the optional RC-V100
Remote Controller.
- 15 Ethernet access indicator¹
- 16  (Ethernet) terminal¹
- 17 LENS terminal²
- 18 Audio level dials for CH3 (top) and CH4
(bottom)¹
- 19 INPUT 3 (top) / INPUT 4 (bottom) switches
(audio source selection)^{1, 2}
- 20 Screw holes for M4 bolts (7.5 mm (0.30 in.)
deep, x2)
- 21 Screw hole for 1/4"-20 bolts (7.5 mm (0.30 in.)
deep)

¹ For details on the terminals' functions and how to use them, see the instruction manual of the camera being used.

² These controls can be used only when a commercially available V-mount battery is attached to the EU-V2.



- You can remove all the terminals' covers by removing the two screws fixing them in place with a commercially available Phillips head ("crosshead") screwdriver.

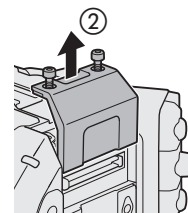
Attaching the Expansion Unit to the Camera

1. Turn off the camera.

- The accessory will not work if it is attached while the camera is turned on.

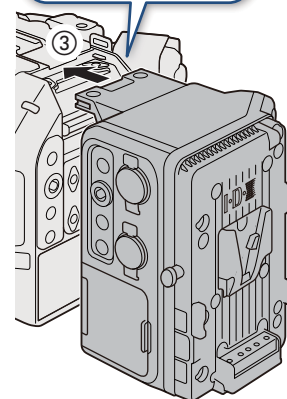
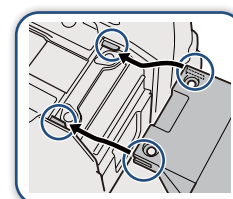
2. Remove the camera's expansion unit cover.

- Remove the 2 bolts in the illustration using the hex wrench for M4 bolts.



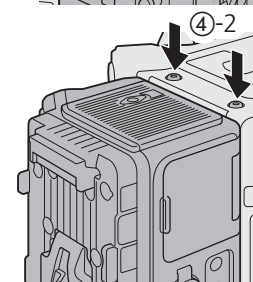
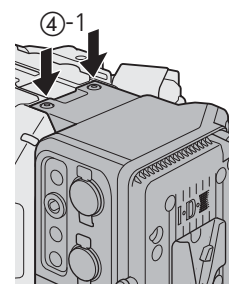
3. Attach the expansion unit.

- Remove the expansion unit's connector cover. Align the ridges on the expansion unit with the protruding tabs on the camera and push the expansion unit straight, all the way forward.



4. Secure the expansion unit in place.

- First, fasten the 2 fixation bolts you removed in step 2 to the top (④-1). Then, fasten the 2 supplied M4 fixation bolts to the bottom (④-2).



Power Supply and Power Outputs

You can attach commercially available V-mount batteries to the EU-V2. If you connect an AC adapter to the camera's DC IN 12V terminal with a V-mount battery attached to the EU-V2, the camera will draw power from the AC adapter. Attaching a V-mount battery is necessary to use some of the expansion unit's terminals and functions (📖 31).

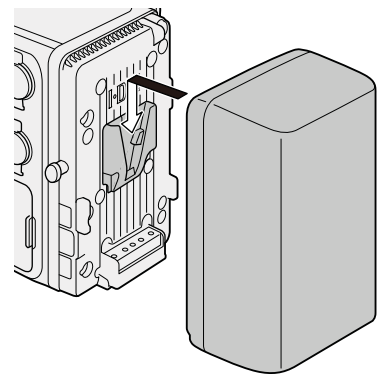
■ Acceptable Batteries

When selecting commercially available batteries, make sure the battery meets the following specifications and all the safety standards of the country/region where it is used. Closely follow the manufacturer's instructions regarding the use and maintenance of power sources.

V-mount battery: 12 V to 20 V DC

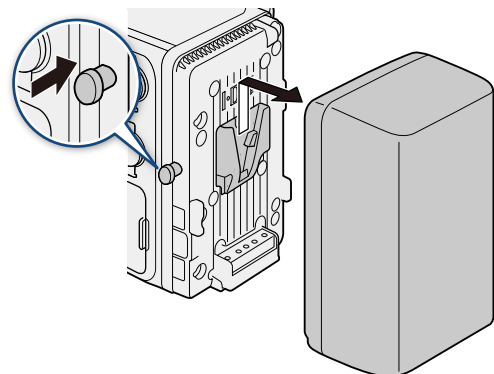
■ Attaching a Battery

1. Make sure the camera is turned off.
2. Align the V-shaped wedge on the battery to the V-mount on the battery plate.
3. Gently press the battery down until it clicks in place.



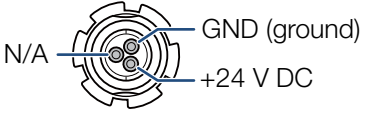
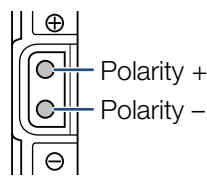
■ Removing a Battery

1. Turn off the camera.
2. While holding the battery release latch pressed down, slide the battery up and remove it.



■ Power Outputs

The expansion unit features two power outputs for accessories: the DC OUT 24V 2A terminal and the D-TAP terminal.

Power output	Specifications*	Terminal pin layout
DC OUT 24V 2A terminal	Fischer 3-pin connector, 24 V DC, 2.0 A (max.)	
D-TAP terminal	D-Tap connector, 50 W (max.)	

* Actual levels may vary depending on the power source supplying the camera.

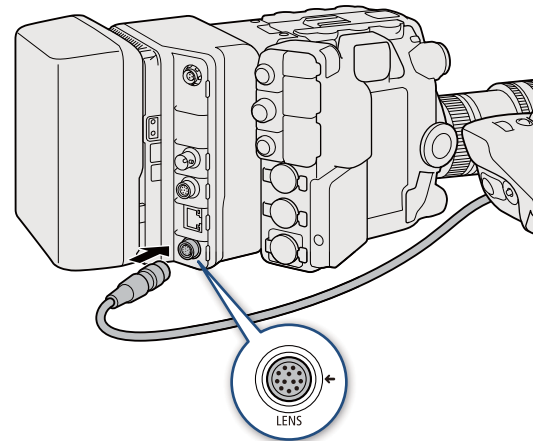


- Be sure to use the camera's power outputs within the specifications given.
- When supplying power to external accessories, be careful of the polarity of the power connections. Connecting the power supply incorrectly can cause malfunctions.

Lens Connection

When a commercially available V-mount battery is attached to the expansion unit, you can connect the lens's 12-pin camera interface cable to the EU-V2's LENS terminal to be able to zoom and use the push auto iris function from the camera. When using a B4 (broadcast) lens compatible with the L.C.A.C. (automatic lens chromatic aberration correction) function, if the 12-pin interface cable is connected to the EU-V2, the lens's chromatic aberration can also be corrected.

1. **Attach the expansion unit (📖 32) and the lens to the camera.**
 - For details about preparing the lens, see the instruction manual of the camera being used.
2. **Attach a V-mount battery to the expansion unit (📖 33).**
3. **Connect the lens's 12-pin cable to the LENS terminal on the expansion unit.**




- Make sure to turn off the camera before connecting/disconnecting a lens's 12-pin interface cable to/from the LENS terminal. Failing to do so can cause a malfunction of the camera or lens.



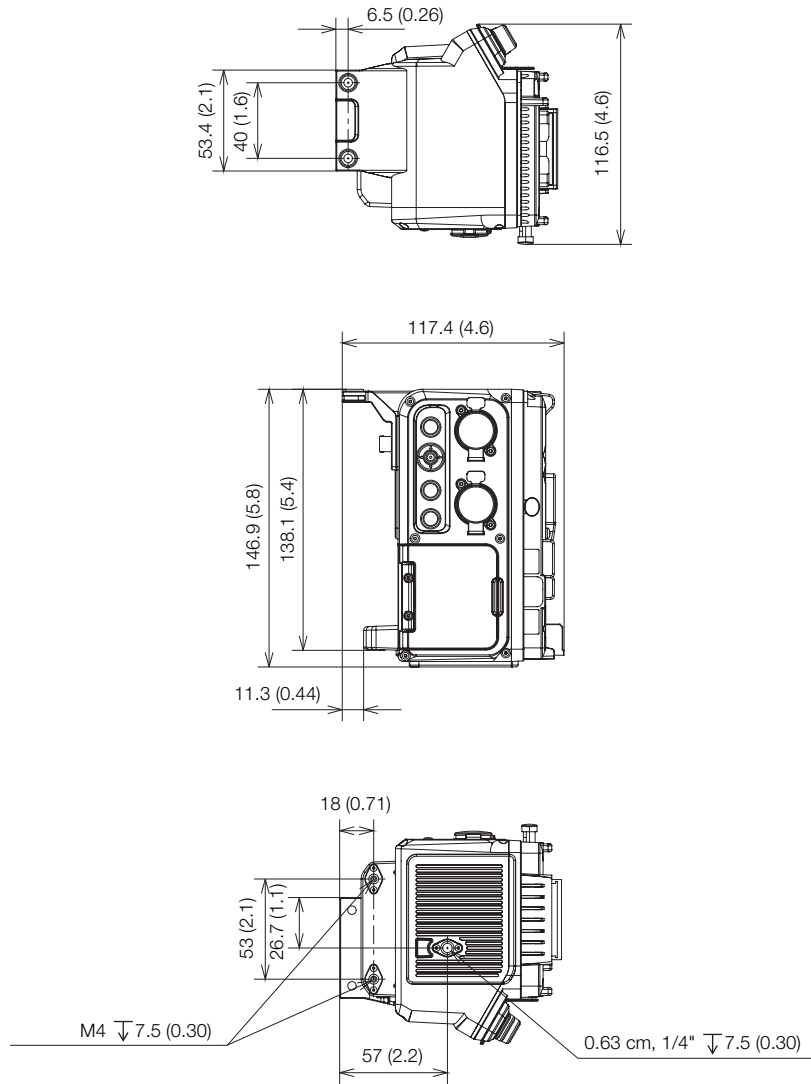
- If necessary, use a commercially available extension cable for 12-pin interface cables in order to connect the 12-pin interface cable to the EU-V2's LENS terminal.

Specifications

INPUT 3, INPUT 4 terminals	XLR 3-pin jack (pin1: shield, pin2: hot, pin3: cold), 2 sets, balanced Sensitivity: MIC setting: -60 dBu (volume center, full scale -18 dB) / 600 Ω , microphone attenuator: 20 dB LINE setting: 4 dBu (volume center, full scale -18 dB) / 10 k Ω
G-LOCK/SYNC OUT terminal	BNC jack, 1.0 Vp-p / 75 Ω G-LOCK (Genlock) setting: input only SYNC OUT setting: output only, tri-level HD signal The terminal's function can be changed using the camera's menu.
REMOTE B terminal	Circular 8-pin jack (for the optional RC-V100 Remote Controller, RS-422 interface)
 (Ethernet) terminal	Ethernet, 1000BASE-T compatible
LENS terminal	Circular 12-pin jack (12-pin serial interface)
DC OUT 24V 2A terminal	Fischer 3-pin connector, rated output: 24 V DC, maximum current: 2.0 A
D-TAP terminal	D-Tap connector, maximum output: 50 W (nominal)
Operating temperature	0 °C – 40 °C (32 °F – 104 °F)
Dimensions* (W x H x D)	117 x 147 x 117 mm (4.6 x 5.8 x 4.6 in.)
Weight* (without connector cover)	652 g (1.4 lb.)

* All dimensions and weights are approximate.

■ Detailed Measurements



mm (inches)