

DJI Video Receiver

User Guide

使用说明

使用説明

ユーザーガイド

사용자 가이드

Handbuch

Guía de usuario

Guide d'utilisateur

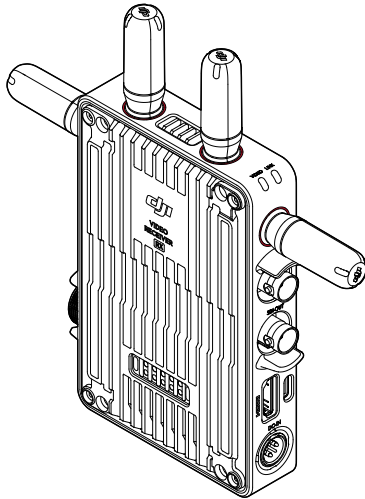
Guida per l'Utente

Gebruikershandleiding

Manual do utilizador

Руководство пользователя

v1.0 2023.08



Contents

EN	Disclaimer and Warning	5
	Introduction	5
	Installation and Connection	7
	Activation	8
	Linking	9
	Display Screen Operations	11
	Appendix	13
CHS	免责声明和警告	15
	简介	15
	安装连线	17
	激活	18
	对频	19
	屏幕操作	21
	附录	23
CHT	免責聲明和警告	25
	簡介	25
	安裝連線	27
	啟動	28
	配對	29
	螢幕操作	31
	附錄	33
JP	免責事項および警告	35
	はじめに	35
	取り付けと接続	37
	アクティベーション	38
	リンク	39
	ディスプレイ画面操作	41
	付録	43
KR	고지 사항 및 경고	45
	소개	45
	설치 및 연결	47
	활성화	48
	연동	49
	디스플레이 화면 조작	51
	부록	53

DE	Haftungsausschluss und Warnhinweise	55
	Einführung	55
	Montage und Anschluss	58
	Aktivierung	59
	Kopplung	60
	Bedienungen des Anzeigebildschirms	62
	Anhang	64
ES	Renuncia de responsabilidad y advertencia	66
	Introducción	66
	Instalación y conexión	69
	Activación	70
	Vinculación	71
	Operaciones en la pantalla de visualización	74
	Apéndice	76
FR	Clause exclusive de responsabilité et mise en garde	78
	Introduction	78
	Installation et connexion	80
	Activation	81
	Appairage	82
	Opérations sur l'écran d'affichage	85
	Annexe	87
IT	Limitazioni di responsabilità e avvertenze	89
	Introduzione	89
	Installazione e collegamento	91
	Attivazione	92
	Collegamento	93
	Operazioni dello schermo di visualizzazione	96
	Appendice	98
NL	Disclaimer en waarschuwing	100
	Inleiding	100
	Installatie en aansluiting	102
	Activering	103
	Koppelen	104
	Schermbewerkingen weergeven	107
	Bijlage	109

PT	Exoneração de Responsabilidade e Aviso	111
	Introdução	111
	Instalação e ligação	113
	Ativação	114
	Ligação	115
	Operações do ecrã de visualização	118
Apêndice	120	
RU	Отказ от ответственности и предупреждение	122
	Введение	122
	Установка и подключение	124
	Активация	125
	Сопряжение	126
	Управление дисплеем	129
	Приложение	131

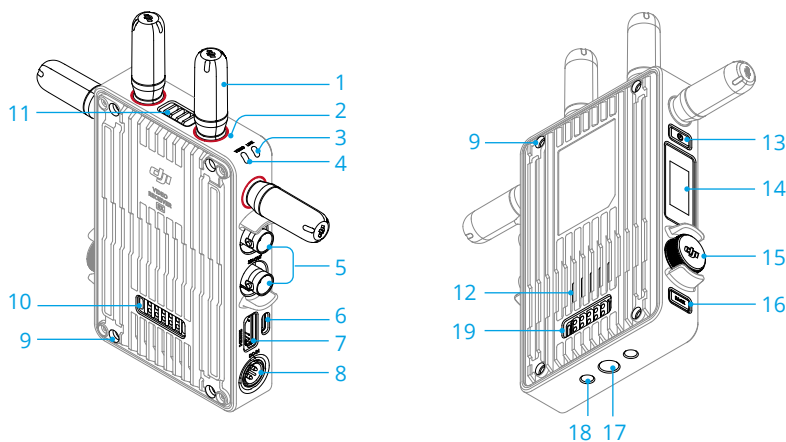
Disclaimer and Warning

Carefully read this entire document and all safe and lawful practices provided before use.

Introduction

The DJI™ Video Receiver features DJI O3 Pro video transmission and receives video signals from the transmitter. In an environment without interference or obstruction, the video receiver provides video transmission with a maximum transmission range of 6 km*, a bitrate of up to 40 Mbps, and a minimum end-to-end latency of 70 ms. It supports multiple frequency bands in both Control and Broadcast modes and simultaneously outputs multiple video signals to display devices for remote monitoring. When used with the DJI Video Transmitter or DJI Ronin 4D Video Transmitter, the video receiver can meet the filming requirements of mediums such as movies, TV series, advertisements, and documentaries.

* Measured with the video transmission control system in Control mode (Broadcast mode in the transmitter device disabled) in an unobstructed environment free of interference with FCC compliance.



1. Detachable Antennas

Transmit the wireless signal.

2. Color Marks

Used to identify the receiver and transmitter. The receiver is identified by the red color marks. Users can also place the different colored stickers included in the package on the devices for identification.

3. Linking Status Indicator

Shows the connection status between the receiver and transmitter. Refer to the Linking section for more information on blinking patterns.

4. Video Status Indicator

Indicates if there is a video signal transmitted from the transmitter to the receiver. Solid green indicates there is a video signal transmission, while solid red indicates no video signal transmission.

5. SDI Output Ports

Output the video signal.

6. USB-C Port

Connect to the DJI Assistant 2 (Ronin Series) software using a USB-C cable for device activation and firmware updates. Connect headphones with a built-in mic for voice calls. It is required to set the Type-C function on the receiver before use. Refer to the Menu section for more information.

7. HDMI Port (Type A)

Outputs the video signal.

8. DC-in Port

Supplies power to the video receiver using the provided power cable. Voltage 6-18 V and max current 2 A.

9. M4 Screw Holes

Mount the battery adapter or other adapters for expansion.

10. Power Output Port

Supplies power to an external device.

11. Air Vent

12. Air Intake



• DO NOT cover the air vent, air intake, or both sides of the battery adapter if mounted. Otherwise, the performance of the device may be affected due to overheating.

13. Power Button

Press once to power on. Press and hold to power off.

14. Display Screen

Displays the device status and menu.

15. Menu Dial

Turn or press the dial to select or confirm settings in the menu. See details below.

Press once: enter the menu from the home screen, or confirm settings in the menu.

Turn: switch between options.

Press and hold: enter linking status (Control mode) or search for devices (Broadcast mode).

Press twice: in the home screen, select the channel (Control mode) or device number (Broadcast mode).

16. Back Button

Press to return to the previous screen of the menu.

17. 3/8"-16 Screw Hole

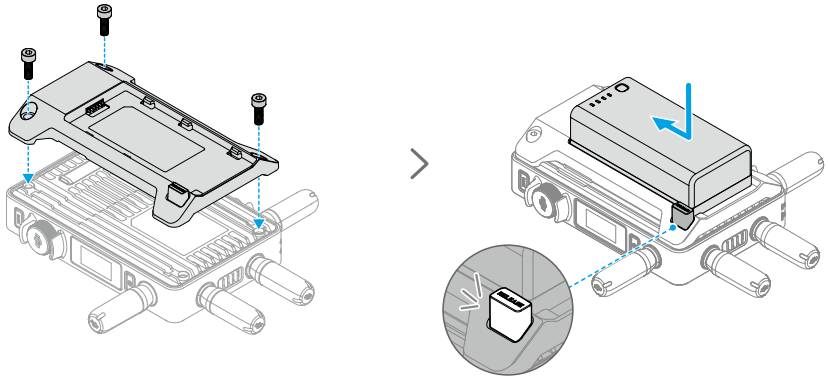
18. 1/4"-20 Screw Holes

19. External Power Input Port

Mount the battery adapter and compatible battery to supply power to the video receiver.

Installation and Connection

Mounting the WB37 Intelligent Battery



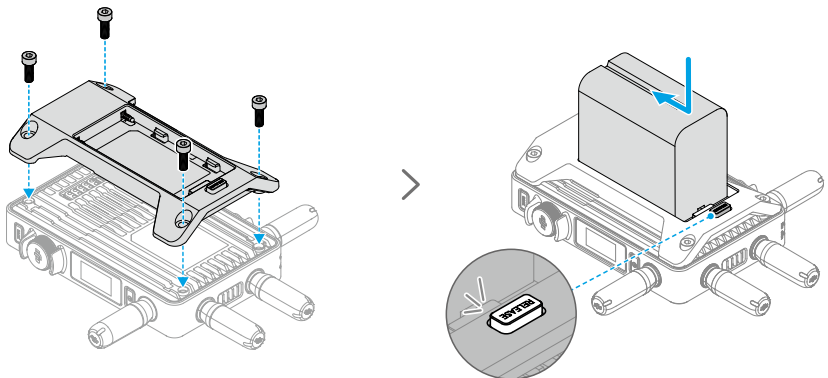
Before first use, activate the WB37 battery by charging with the WB37 Battery Charging Hub (USB-C). Refer to the WB37 Battery Charging Hub (USB-C) User Guide for more information.

1. Mount the WB37 battery adapter to the back of the video receiver and tighten the three M4×12 screws.
2. Insert the WB37 battery into the battery compartment of the video receiver. Make sure that the battery release button pops up and the battery clicks into place.

⚠ • Make sure to use the WB37 battery within the operating temperature range. **DO NOT** disassemble or pierce the battery in any way. Otherwise, the battery may leak, catch fire, or explode. Refer to the WB37 Intelligent Battery Safety Guidelines for more information.

Press and hold the release button and push the battery in the opposite direction to remove it.

Mounting the NP-F Series Battery

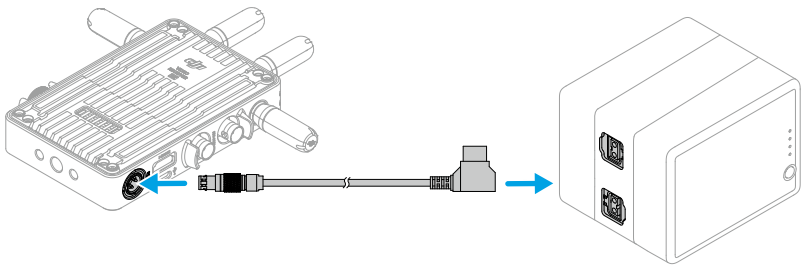


1. Mount the NP-F battery adapter to the back of the video receiver and tighten the four M4×12 screws.
2. Insert the NP-F series battery into the battery compartment of the video receiver. Make sure that the battery release button pops up and the battery clicks into place.

Press and hold the release button and push the battery in the opposite direction to remove it.

Connecting the DC to P-Tap Power Cable

A battery with a P-Tap port can be used to provide power to the video receiver. Use the provided DC to P-Tap power cable to connect the P-Tap port of the battery and the DC-in port of the video receiver.



Activation

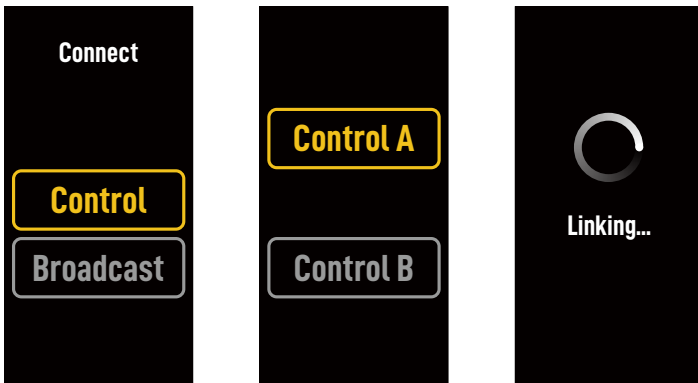
Activation is required when using the video receiver for the first time. Power on the video receiver and connect it to a computer using a USB-C cable. Launch DJI Assistant 2 (Ronin Series), click the corresponding device icon, and follow the on-screen instructions to activate the device. Download the software from: <https://www.dji.com/transmission/downloads>

Linking

The video receiver must be linked to the transmitter device before use. The video transmission system of the video receiver offers Control mode and Broadcast mode for connection between the video receiver and transmitter device, which use different linking methods. Refer to the following section for instructions and linking status indicator descriptions.

Control Mode

In Control mode (with Broadcast mode in the transmitter device disabled), the video transmission system has a longer transmission distance, stronger anti-interference, and more selectable channels. The transmitter device can also receive the control signal from the video receiver when connecting a DJI Pro accessory, such as the DJI Master Wheels to the video receiver for remote control.



1. Power on the video receiver. Press the menu dial on the video receiver to enter the menu.
2. Press the dial to enter the Connect menu, turn the dial to select Control in the menu, and press the dial to confirm. Select to set the video receiver to Control A or Control B and press the dial again to confirm. The display screen shows Linking and the linking status indicator blinks red and green alternately, indicating the device is linking.

-
- If the video receiver is in Control mode and is set to the desired Control A or Control B, press and hold the menu dial directly to enter linking.
 - If two video receivers will be connected to the same transmitter device, link with the Control A video receiver first and then link with the Control B video receiver.
-

3. Using DJI Video Transmitter:

Power on the DJI Video Transmitter. Press and hold the menu dial on the video transmitter to enter the linking status. The linking status indicator on the video transmitter blinks red and green alternately, indicating the device is linking.

Using DJI Ronin 4D Video Transmitter:

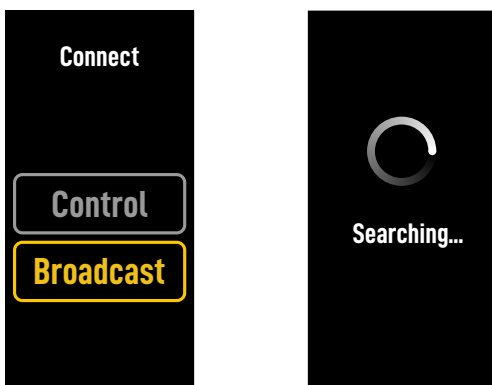
To start linking, hold the link button on the Ronin 4D Video Transmitter or go to the menu on

the Ronin 4D High-Bright Main Monitor, tap Transmission, and then Link Device. The linking status indicator on the video transmitter blinks red and green alternately, indicating the device is linking.


4. When linking is complete, the linking status indicator on the video receiver turns solid green and the video receiver can communicate with the transmitter device.

Broadcast Mode

In Broadcast mode, an unlimited number of video receivers used as monitoring devices can connect to the transmitter device. In scenarios using multiple transmitter devices, video receivers in Broadcast mode can select the desired transmitter device quickly to achieve multi-channel monitoring.



1. Power on the video receiver. Press the menu dial on the video receiver to enter the menu.
2. Press the dial to enter the Connect menu, turn the dial to select Broadcast in the menu, and then press the dial to confirm.
3. Wait for the search results to be complete and select a device to connect.

 • In Broadcast mode, press and hold the dial to refresh the search results.

Linking Status Indicator

Linking Status Indicator	Description
Solid red	Device started, not connected.
Blinks red and green alternately	Linking.
Solid green	Successfully linked in Control mode. Wireless video transmission is normal. Broadcast mode enabled.
Blinks red	Device malfunction. Contact DJI Support.

Display Screen Operations

Home Screen



1. Video Specifications

Displays the resolution and frame rate of the input from the transmitter device.

2. Power Supply Voltage

Displays the voltage of the battery or the DC-in power input.

3. Control Device

In Control mode, displays whether the video receiver is set to Control A or Control B.

4. Channel (Control Mode)

Displays the current channel in use and its signal quality. There are two statuses, including strong (green) and weak (red). Press the menu dial twice for quick channel switch.

5. Video Transmission Signal Strength and Bitrate

Displays the video transmission signal strength and bitrate. There are three statuses for the video transmission signal strength, including strong (green), moderate (orange), and weak (red).

6. Device Number



In Broadcast mode, displays the device number of the transmitter device. Press the menu dial twice to view the last recorded search results in Broadcast mode, and then switch between devices or refresh the search results.

7. Channel (Broadcast Mode)

Displays the channel in use. View the signal quality of each channel in the menu.

Menu

On the home screen, press the menu dial on the video receiver to enter the menu and perform the following configuration and operations. Turn or press the dial to select or confirm settings in the menu. Press the back button to return to the previous screen.

Connect	Select Control mode or Broadcast mode. When Control mode is selected, it is required to set the device in use to Control A or Control B.
Channel	In Control mode, view the signal quality of each channel and select the channel. In Broadcast mode, view the signal quality of each channel only to assist channel selection in the transmitter device.
Device Number	This menu will appear only in Broadcast mode. The last search results in Broadcast mode will be displayed after entering the menu. Switch between devices or refresh the search results.
Fan Mode	Set the fan mode to Standard or Low Noise.  If Low Noise is selected, the fan mode will switch to Standard automatically when the temperature of the device is too high.
Type-C Function	Select USB when using the USB-C port for the firmware update in DJI Assistant 2. In Control mode, set the Type-C function on both the transmitter and receiver to Voice Call and connect headphones with a built-in mic to the USB-C ports to enable voice calls between the transmitter and receiver. Use the volume buttons on the headphones to adjust the volume for voice calls.  View the compatible headphones on the FAQ page of the product page on the official DJI website. Other 48kHz/16bit digital headphones are also supported.
Low Latency	When enabled, the frame rate is converted to 60fps.
Language	Select the system language in the language list.
Device Info	View information such as the device SN and firmware version.

Appendix

Firmware Update

Update the video receiver using the DJI Assistant 2 (Ronin Series) software.

1. Power on the device. Make sure the Type-C function is set to USB on the menu. Connect the device to a computer with a USB-C cable.
2. Launch DJI Assistant 2 (Ronin Series) and log in with a DJI account.
3. Select the device and click Firmware Update on the left side of the screen.
4. Select the firmware version.
5. The firmware will download and update automatically.
6. The device will restart automatically after the firmware update is complete.

Specifications

Weight	Approx. 350 g (receiver only, excl. antennas)
Dimensions	127×87×26 mm (excl. antennas)
Operating Frequency ^[1]	2.4000-2.4835 GHz, 5.150-5.250 GHz, 5.250-5.350 GHz, 5.470-5.725 GHz, 5.725-5.850 GHz
Transmitter Power (EIRP)	2.4 GHz: <33 dBm (FCC), <20 dBm (SRRC/CE/MIC) 5.8 GHz: <33 dBm (FCC), <14 dBm (CE), <23 dBm (SRRC)
Power Consumption	9 W
Power Supply Voltage	6-18 V
Output Voltage	6-18 V
Battery Life ^[2]	3 hours 50 minutes
Output Video Format	• When used with the DJI Video Transmitter: 1080p: 23.98/24/25/29.97/30/50/59.94/60fps 720p: 50/59.94/60fps • When used with Ronin 4D: 1080p: 24/25/30/50/60fps
Output Audio Format	SDI embedded, HDMI embedded
Video Transmission System	O3 Pro
Max Bitrate	40 Mbps
Latency	70 ms (1080p 60fps)
Video Coding Format	H.264
Max Transmission Distance	6 km (FCC), 4 km (CE/SRRC/MIC) (Unobstructed, free of interference)
Max Bandwidth	40 MHz
Operating Temperature ^[3]	-10° to 45° C (14° to 113° F)

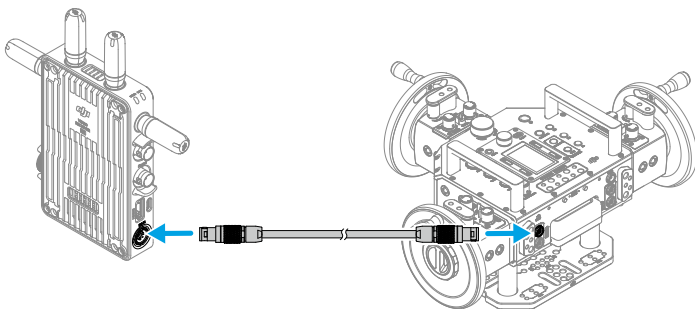
[1] Due to local regulations, the 5.1/5.2/5.8 GHz frequencies are prohibited in some countries and the 5.1/5.2 GHz frequencies are only allowed for use indoors in some countries. 5.600-5.650 GHz is not used.

- [2] Tested in a room temperature of 25° C (77° F) when powered by a fully charged WB37 Intelligent Battery and used with the DJI Video Transmitter.
- [3] When using the WB37 Intelligent Battery, it is recommended to operate the device in a temperature above 0° C. Take measures to keep the battery warm when using in a temperature below 0° C.

Using Other Control Devices

Connect the DJI Master Wheels to the video receiver to control the transmitter device remotely.

Connection: connect the DC-OUT port on the DJI Master Wheels to the DC-IN port on the video receiver using the DJI High-Bright Remote Monitor Controller Cable.



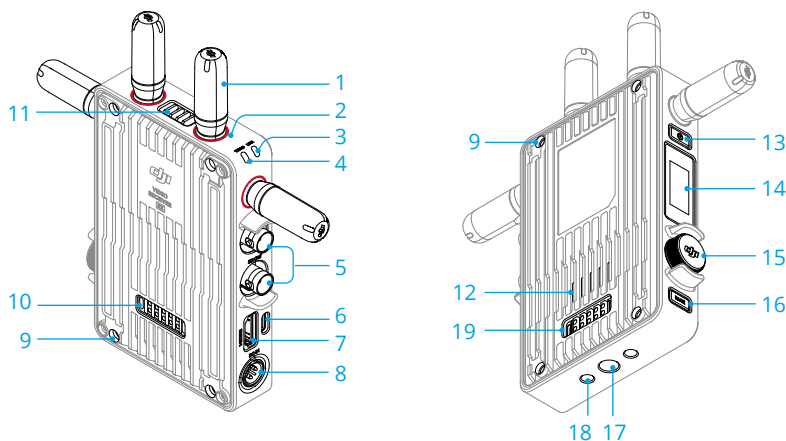
免责声明和警告

使用本产品之前，请仔细阅读并遵循本文及与本产品相关的所有安全与合规操作指引。

简介

DJI™ 图传接收器采用 DJI O3 Pro 图传技术，接收发射端视频信号。在无干扰和无遮挡环境下，可实现最大可达 6 千米 * 地面端通信距离与 40 Mbps 码流高清图传，端到端延时低至 70 ms。支持多种频段，具备控制模式和广播模式，可同时输出多路视频信号到显示设备，实现远程监看。配合 DJI 图传发射器或 DJI Ronin 4D 图传发射器使用时，可满足影视剧、广告、纪录片等各类题材的拍摄需求。

* 无线图传控制系统切换至控制模式（发射端广播模式关闭），在 FCC 标准无干扰环境下测得。



1. 可拆卸天线

传输无线信号。

2. 色标

用于区分接收器和发射器。接收器此处为红色圆圈。用户亦可将包装内附带的不同颜色贴纸粘贴在设备上区分。

3. 对频状态指示灯

指示接收器和发射端的连接状态。指示灯描述见对频章节。

4. 视频状态指示灯

显示发射端是否有视频信号传输至接收器。绿灯常亮表示有视频信号传输，红灯常亮表示无传输。

5. SDI 输出接口

用于输出视频信号。

6. USB-C 接口

使用 USB-C 线连接至 DJI Assistant 2 (Ronin 系列) 调参软件以激活设备、升级固件。亦可插入自带麦克风的耳机进行语音通话。使用前需在接收器的 Type-C 功能设置中切换接口用途。详见菜单栏章节。

7. HDMI 接口 (A 口)

用于输出视频信号。

8. DC-IN 电源输入接口

可通过标配的供电线实现对图传接收器的供电。供电电压 6-18 V，电流最大 2 A。

9. M4 螺纹接口


用于安装电池转接板以及各类转接件的扩展。

10. 对外供电接口

对外部设备进行供电。

11. 出风口

12. 进风口

 · 使用时请勿遮挡出风口及进风口或电池转接板的两侧（若已安装），以免设备温度过高影响性能。

13. 电源按键

短按开机、长按关机。

14. 显示屏幕

显示设备状态及菜单。

15. 菜单拨轮

可通过转动和按压拨轮进行选择及确认等，以操作屏幕菜单。具体功能如下。

短按：由主界面进入菜单栏；在菜单栏中确认选择。

转动：切换选项。

长按：进入对频状态（控制模式）或搜索设备（广播模式）。

双击：在主界面选择信道（控制模式）或机位号（广播模式）。

16. 返回按键

控制屏幕菜单返回上一级。

17. 3/8"-16 螺纹接口

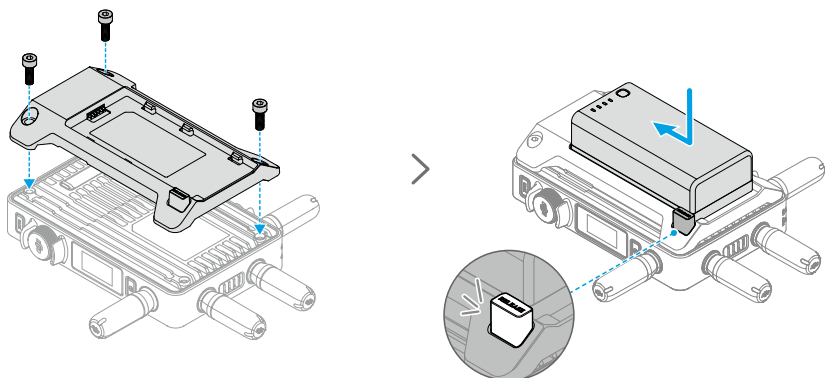
18. 1/4"-20 螺纹接口

19. 外部电源输入接口

通过连接不同的电池转接板以安装电池，用于为接收器供电。

安装连线

安装 WB37 智能电池



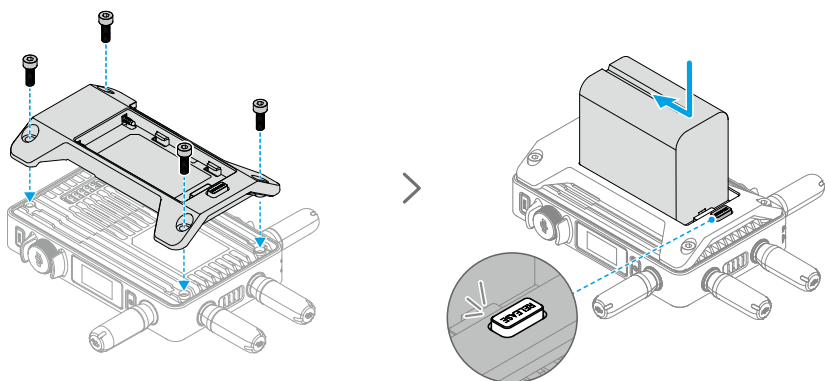
首次使用需通过 WB37 充电管家（USB-C）为 WB37 电池充电以激活电池。详情参阅《WB37 充电管家（USB-C）使用说明》。

1. 将 WB37 电池转接板安装至图传接收器背面并旋紧 3 颗 M4×12 螺丝。
2. 将 WB37 智能电池置入电池插槽，按下电池并将其推至底部，直到 RELEASE 按键弹起并发出“咔”的一声，确保安装稳固。

⚠ 务必在工作环境温度范围内使用 WB37 电池。禁止以任何方式拆解或用尖利物体刺破电池。否则将会引起电池着火甚至爆炸。详情参阅《WB37 智能电池安全使用指引》。

按住 RELEASE 按键沿安装反方向用力即可取出电池。

安装 NP-F 系列电池

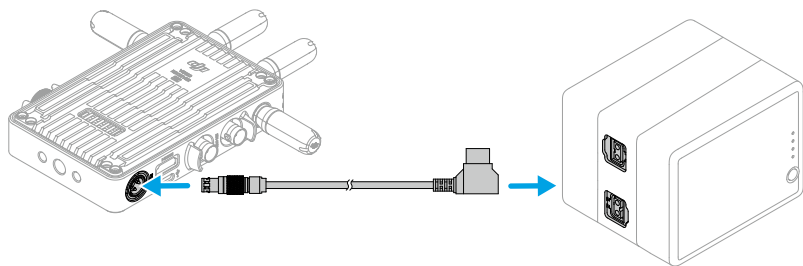


1. 将 NP-F 电池转接板安装至图传接收器背面并旋紧 4 颗 M4 × 12 螺丝。
2. 将 NP-F 系列电池置入电池插槽，按下电池并将其推至底部，直到 RELEASE 按键弹起并发出“咔”的一声，确保安装稳固。

按住 RELEASE 按键沿安装反方向用力即可取出电池。

连接 DC 转 P-Tap 供电线

可使用含有 P-Tap 接口的电池给图传接收器供电。使用标配的 DC 转 P-Tap 供电线连接供电电池的 P-Tap 接口及图传接收器的 DC-IN 电源输入接口。



激活

全新的图传接收器需要激活后方可使用。开启图传接收器，使用 USB-C 线将其连接至计算机并运行 DJI Assistant 2 (Ronin 系列) 调参软件，登录 DJI 账号，点击设备图标按照提示进行激活。

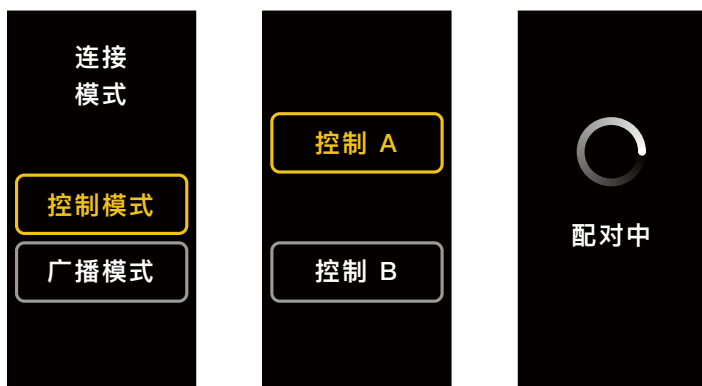
调参软件下载地址：<https://www.dji.com/transmission/downloads>

对频

图传接收器需与发射端设备对频后方可使用。接收器与发射端设备的连接模式分为控制模式和广播模式，其对频方式略有不同。详见以下操作说明及对频状态指示灯描述。

控制模式

控制模式下（发射端设备广播模式关闭），图传系统的传输距离更远，抗干扰能力更强，可设置信道更多。同时，发射端设备可接收到图传接收器的控制信号，如接入 DJI 大师摇轮等专业配件进行远程控制。



1. 图传接收器开机状态下，按压图传接收器的菜单拨轮进入菜单。
2. 按压拨轮进入连接模式菜单，转动拨轮在连接模式中选择控制模式，按压拨轮进行确认。选择图传接收器为控制 A 或控制 B，再次按压拨轮进行确认。屏幕显示配对中，对频状态指示灯红绿交替闪烁，表示已进入对频状态。

- 💡 若图传接收器已处于控制模式且已设置为所需的控制 A 或控制 B，则直接长按菜单拨轮即可进入对频状态。
- 若两个图传接收器同时连接至同一发射端设备，则需先对频设置为控制 A 的图传接收器，然后再对频设置为控制 B 的图传接收器。

3. 使用 DJI 图传发射器：

开启 DJI 图传发射器，长按图传发射器上的菜单拨轮以进入对频状态，此时图传发射器上的对频状态指示灯红绿交替闪烁。

使用 DJI Ronin 4D 图传发射器：

在 Ronin 4D 的机身高亮监视器菜单中选择图传设置 > 配对，或长按 Ronin 4D 图传发射器上的对频按键以进入对频状态，此时图传发射器上的对频状态指示灯红绿交替闪烁。

4. 对频成功后，图传接收器的对频状态指示灯显示绿灯常亮，可与发射端设备进行通信。

广播模式

广播模式下，图传接收器作为监看设备，其连接数量不设限制。在有多个发射端设备的场景，以广播模式连接的图传接收器可快速切换发射端机位，实现多路监看。



1. 图传接收器开机状态下，按压图传接收器的菜单拨轮进入菜单。
2. 按压拨轮进入连接模式菜单，转动拨轮在连接模式中选择广播模式，按压拨轮进行确认。
3. 等待搜索，然后选择连接的设备。

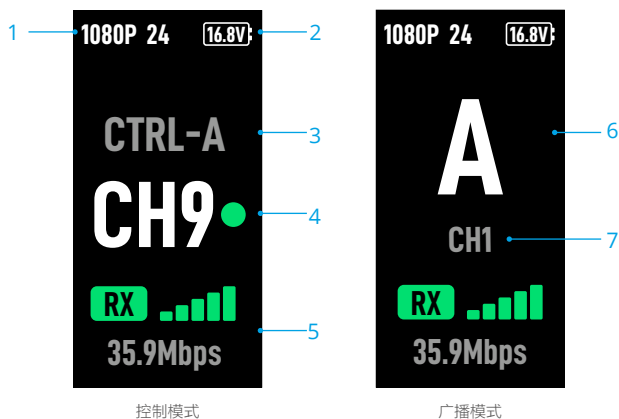
💡：在广播模式下，长按菜单拨轮可刷新搜索结果。

对频状态指示灯

对频状态指示灯	描述
红灯常亮	设备已启动，未连接
红绿灯交替闪烁	正在对频
绿灯常亮	控制模式对频成功，无线图传正常连接 广播模式已开启
红灯闪烁	设备内部故障，请联系 DJI 技术支持

屏幕操作

主界面



1. 视频规格

显示当前发射端输入源的分辨率及帧率。

2. 供电电压

显示接收器供电电池电压或 DC-IN 电源输入的电压。

3. 控制设备

控制模式下，显示接收器当前设置为控制 A 或控制 B。

4. 信道（控制模式）

显示当前信道及信道质量。信道质量显示包括信号强（绿色）及信号弱（红色）。双击菜单拨轮可快速切换信道。

5. 传输信号强度及传输码率

显示当前传输信号强度及传输码率。传输信号强度显示包括信号强（绿色）、信号中等（橙色）、信号弱（红色）。

6. 机位号


广播模式下，显示发射端设备的序号。双击菜单拨轮显示上一次广播模式的搜索结果，可切换机位或刷新搜索结果。

7. 信道（广播模式）

显示当前信道。在菜单中可查看各信道质量。

菜单栏

主界面下短按图传接收器上的菜单拨轮，进入菜单栏，可进行以下各项设置及操作。通过转动和按压拨轮进行选择及确认，以操作屏幕菜单，短按返回按键返回上一层菜单。

连接模式	选择控制模式或广播模式。若选择控制模式，需设置所使用的设备为控制 A 或控制 B。
信道	控制模式下可查看各信道质量及选择信道。 广播模式下仅可查看各信道质量，用于辅助发射端选择信道。
机位号	仅广播模式下显示此菜单。进入菜单后将显示上一次广播模式搜索结果，可切换机位或刷新搜索结果。
风扇模式	选择风扇模式为正常或低噪音。  低噪音模式下，若设备温度过高，则风扇模式自动切换至正常。
Type-C 功能	设置为 USB 时，连接 USB-C 接口至计算机，可使用 DJI Assistant 2 调参软件。 控制模式下，当发射端与接收端均设置为语音通话时，将自带麦克风的耳机插入 USB-C 接口，可实现发射端与接收端的实时语音传输。使用耳机自带的音量键可调节语音通话的音量大小。  在 DJI 官网产品页面的常见问题中查看耳机兼容列表。亦可使用 48kHz/16bit 的数字耳机。
低延时模式	若开启，帧率将转换为 60fps。
语言	在语言列表中选择界面语言。
设备信息	查看设备码、版本号等信息。

附录

固件升级

使用 DJI Assistant 2 (Ronin 系列) 调参软件可对图传接收器进行升级。

1. 开启设备。确保屏幕菜单中的 Type-C 功能设置为 USB，然后使用 USB-C 连接线连接设备至计算机。
2. 启动 DJI Assistant 2 (Ronin 系列) 调参软件，使用 DJI 账号登陆并进入主界面。
3. 点击设备图标，然后点击左边的固件升级选项。
4. 选择并确认需要升级的固件版本。
5. 调参软件将自行下载并升级固件。
6. 升级完成后，设备将自动重启。

规格参数

重量	约 350 g (裸机, 不含天线)
尺寸	127 × 87 × 26 mm (不含天线)
工作频率 ^[1]	2.4000-2.4835 GHz, 5.150-5.250 GHz, 5.250-5.350 GHz, 5.470-5.725 GHz, 5.725-5.850 GHz
发射功率 (EIRP)	2.4 GHz: <33 dBm (FCC), <20 dBm (SRRC/CE/MIC) 5.8 GHz: <33 dBm (FCC), <14 dBm (CE), <23 dBm (SRRC)
功耗	9 W
供电电压	6-18 V
输出电压	6-18 V
续航时间 ^[2]	3 小时 50 分
输出视频格式	<ul style="list-style-type: none"> • 搭配 DJI 图传发射器: 1080p: 23.98/24/25/29.97/30/50/59.94/60fps 720p: 50/59.94/60fps • 搭配 Ronin 4D: 1080p: 24/25/30/50/60fps
输出音频格式	SDI 内嵌, HDMI 内嵌
图传方案	O3 Pro
最大编码码率	40 Mbps
图传延时	70 ms (1080p 60fps)
视频编码格式	H.264
最大图传距离	6 km (FCC), 4 km (CE/SRRC/MIC) (无干扰、无遮挡)

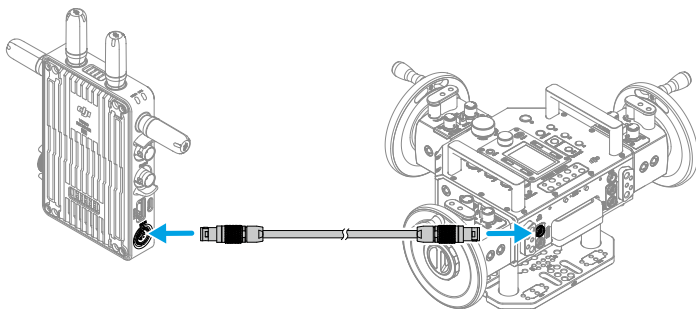
最大通信宽带	40 MHz
工作环境温度 ^[3]	-10 至 45℃

- [1] 部分地区不支持 5.1/5.2/5.8 GHz 频段，部分地区 5.1/5.2 GHz 频段仅限室内使用，详情请参考当地法律法规。5.600-5.650 GHz 频段未使用。
- [2] 通过满电的 WB37 智能电池供电并且配合 DJI 图传发射器使用，在室温 25℃ 环境下测得。
- [3] 如使用 WB37 智能电池，建议工作环境温度在 0℃ 以上。在 0℃ 以下使用时，请采取电池保温措施。

使用其他控制设备

将 DJI 大师摇轮连接至图传接收器，可远程控制发射端设备。

连接方法：准备 DJI 图传高亮监视器控制器连接线，使用此连接线连接大师摇轮的 DC-OUT 接口至图传接收器的 DC-IN 接口。



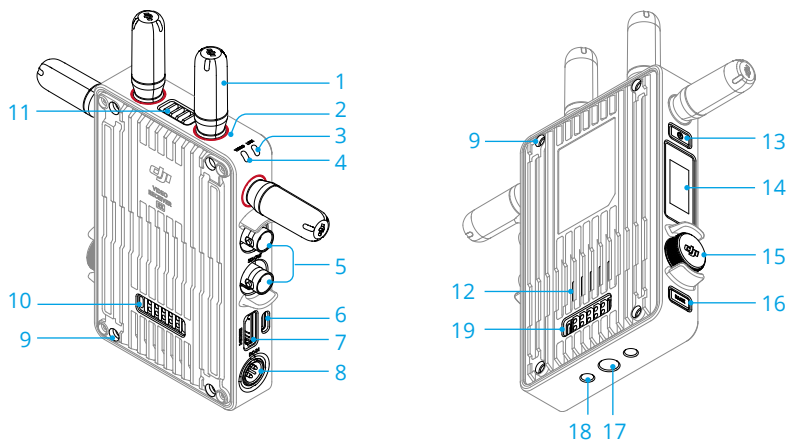
免責聲明和警告

使用本產品之前，請仔細閱讀並遵循本文及與本產品相關的所有安全與合規操作指南。

簡介

DJI™ 影像傳輸接收器採用 DJI O3 Pro 影像傳輸技術，接收發射端影片訊號。在無干擾和無遮擋環境下，可實現最大可達 6 千公尺*地面端通訊距離與 40 Mbps 位元率高解析影像傳輸，端對端延遲最低至 70 ms 以內。支援多種頻段，具備控制模式和廣播模式，可同時輸出多個影片訊號至顯示裝置，執行遠端監視。搭配 DJI 影像傳輸發射器或 DJI Ronin 4D 影像傳輸發射器使用時，可滿足影視劇集、廣告、紀錄片等各類題材的拍攝需求。

* 無線影像傳輸控制系統切換至控制模式（關閉發射端廣播模式），在 FCC 標準無干擾環境下測得。



1. 可拆卸天線

傳輸無線訊號。

2. 顏色標記

用於區分接收器和發射器。接收器此處為紅色圓圈。使用者亦可將包裝內附帶的不同顏色貼紙黏貼在裝置上用於區分。

3. 配對狀態指示燈

指示接收器和發射端的連接狀態。指示燈說明請見配對章節。

4. 影片狀態指示燈

顯示發射端是否有影片訊號傳輸至接收器。綠燈恆亮表示有影片訊號傳輸，紅燈恆亮則表示無傳輸。

5. SDI 輸出連接埠

用於輸出影片訊號。

6. USB-C 連接埠

使用 USB-C 傳輸線連接至 DJI Assistant 2 (Ronin 系列) 調參軟體以啟動裝置、升級韌體。亦可插入搭載麥克風的耳機進行語音通話。使用前需在接收器的 Type-C 功能設定中切換連接埠用途。詳情請見功能表章節。

7. HDMI 連接埠 (A 型)

用於輸出影片訊號。

8. DC-IN 電源輸入連接埠

可透過標配的電源線實現對影像傳輸接收器的供電。供電電壓 6-18 V，電流最大 2 A。

9. M4 螺紋連接埠


用於安裝電池轉接板以及各類轉接器的擴充。

10. 對外供電連接埠

對外接裝置進行供電。

11. 出風口

12. 進風口

 使用時，請勿遮擋出風口及進風口或電池轉接板的兩側（若已安裝），以免裝置溫度過高而影響性能。

13. 電源按鍵

短按可開機、長按可關機。

14. 顯示螢幕

顯示裝置狀態及選單。

15. 選單轉盤

可透過轉動和按壓轉盤進行選擇及確認等，以操作螢幕選單。詳細功能如下。

短按：可由主介面進入功能表；在功能表中確認選擇。

轉動：可切換選項。

長按：可進入配對狀態（控制模式）或搜尋裝置（廣播模式）。

連按兩下：在主介面選擇頻道（控制模式）或機位號碼（廣播模式）。

16. 返回按鍵

控制螢幕選單返回上一層。

17. 3/8"-16 螺紋連接埠

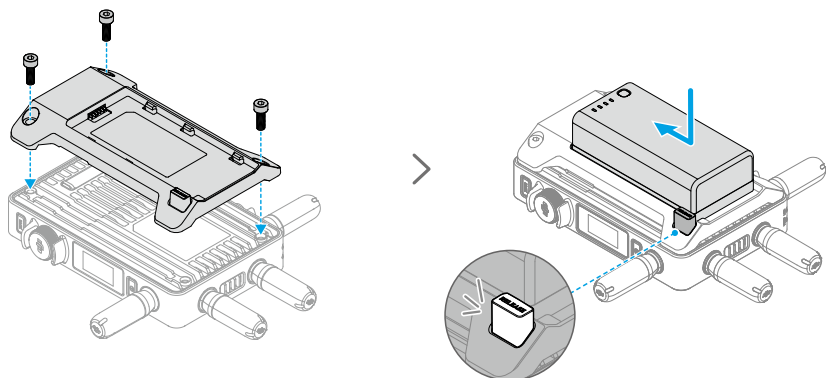
18. 1/4"-20 螺紋連接埠

19. 外接電源輸入連接埠

透過連接不同的電池轉接板以安裝電池，用於為接收器供電。

安裝連線

安裝 WB37 智能電池



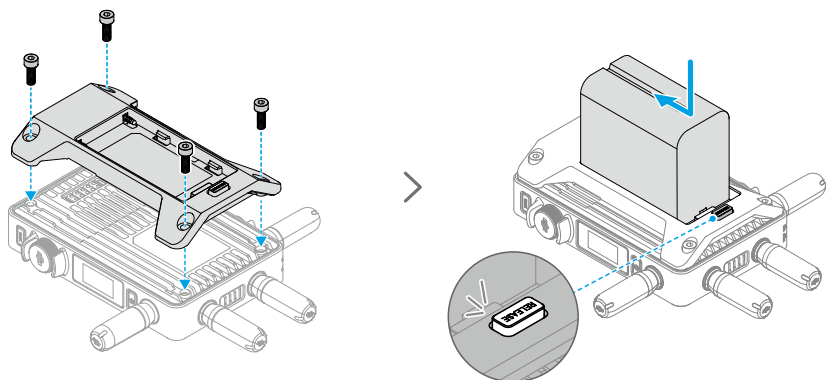
首次使用須透過 WB37 充電管家 (USB-C) 替 WB37 電池充電以啟用電池。詳情請參閱《WB37 充電管家 (USB-C) 使用說明》。

1. 將 WB37 電池轉接板安裝至影像傳輸接收器背面，並鎖緊 3 顆 M4×12 螺絲。
2. 將 WB37 智能電池置入電池插槽，按下電池並將其推至底部，直到 RELEASE 按鍵彈起並發出「卡嗒」的一聲，確保已安裝穩固。

⚠ 務必在運作環境溫度範圍內使用 WB37 電池。禁止以任何方式拆解或用尖銳物體刺破電池。否則將會引起電池起火，甚至爆炸。詳情請參閱《WB37 智能電池安全使用指南》。

按住 RELEASE 按鍵，沿安裝反方向用力即可取出電池。

安裝 NP-F 系列電池

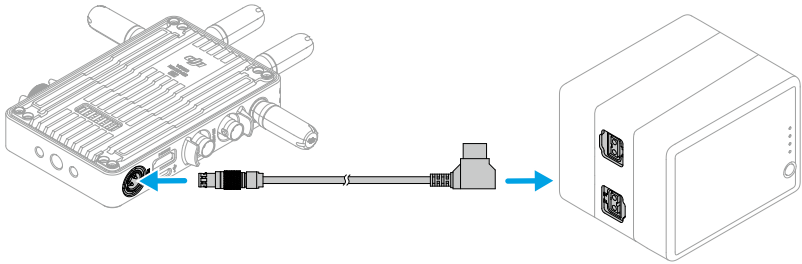


1. 將 NP-F 電池轉接板安裝至影像傳輸接收器背面，並鎖緊 4 顆 M4 × 12 螺絲。
2. 將 NP-F 系列電池置入電池插槽，按下電池並將其推至底部，直到 RELEASE 按鍵彈起並發出「卡嗒」的一聲，確保已安裝穩固。

按住 RELEASE 按鍵，沿安裝反方向用力即可取出電池。

連接 DC 轉 P-Tap 電源線

可使用含有 P-Tap 連接埠的電池替影像傳輸接收器供電。使用標配的 DC 轉 P-Tap 電源線連接供電電池的 P-Tap 連接埠及影像傳輸接收器的 DC-IN 電源輸入連接埠。



啟動

全新的影像傳輸接收器需要啟動後方可使用。開啟影像傳輸接收器，使用 USB-C 傳輸線將其連接至電腦並執行 DJI Assistant 2 (Ronin 系列) 調參軟體，登入 DJI 帳號，點選裝置圖示按照提示進行啟動。

調參軟體下載網址：<https://www.dji.com/transmission/downloads>

配對

影像傳輸接收器需與發射端裝置配對後方可使用。接收器與發射端裝置的連接模式分為控制模式和廣播模式，其配對方式略有不同。詳情請見以下操作說明，以及配對狀態指示燈說明。

控制模式

在控制模式下（發射端裝置廣播模式關閉），影像傳輸系統的傳輸距離將變得更遠，抗干擾能力更強，可設定頻道也會更多。同時，發射端裝置亦可接收到影像傳輸接收器的控制訊號，例如連接 DJI Master Wheels 等專業配件進行遠端控制。



1. 在影像傳輸接收器開機狀態下，按壓影像傳輸接收器的選單轉盤進入選單。
2. 按壓轉盤進入連接模式選單，轉動轉盤在連接模式中選擇控制模式，按壓轉盤進行確認。將影像傳輸接收器選擇為控制 A 或控制 B，再次按壓轉盤進行確認。螢幕顯示配對中，配對狀態指示燈紅綠交替閃爍，表示已進入配對狀態。

- 若影像傳輸接收器已處於控制模式且已設定為所需的控制 A 或控制 B，則直接長按選單轉盤即可進入配對狀態。
- 若兩個影像傳輸接收器同時連接至同一發射端裝置，則需先配對設定為控制 A 的影像傳輸接收器，然後再配對設定為控制 B 的影像傳輸接收器。

3. 使用 DJI 影像傳輸發射器：

開啟 DJI 影像傳輸發射器，長按影像傳輸發射器上的選單轉盤以進入配對狀態，此時，影像傳輸發射器上的配對狀態指示燈將紅綠交替閃爍。

使用 DJI Ronin 4D 影像傳輸發射器：

在 Ronin 4D 的機身高亮度監視器選單中選擇影像傳輸設定 > 配對，或長按 Ronin 4D 影像傳輸發射器上的配對按鍵以進入配對狀態，此時，影像傳輸發射器上的配對狀態指示燈將紅綠交替閃爍。

4. 配對成功後，影像傳輸接收器的配對狀態指示燈將恆亮綠燈，可與發射端裝置進行通訊。

廣播模式

在廣播模式下，影像傳輸接收器將作為監視裝置，其連接數量無限制。在有多個發射端裝置的場景，以廣播模式連接的影像傳輸接收器可快速切換發射端機位，執行多方監視。



1. 在影像傳輸接收器開機狀態下，按壓影像傳輸接收器的選單轉盤進入選單。
2. 按壓轉盤進入連接模式選單，在連接模式中轉動轉盤選擇廣播模式，按壓轉盤進行確認。
3. 等待搜尋，然後選擇連接的裝置。

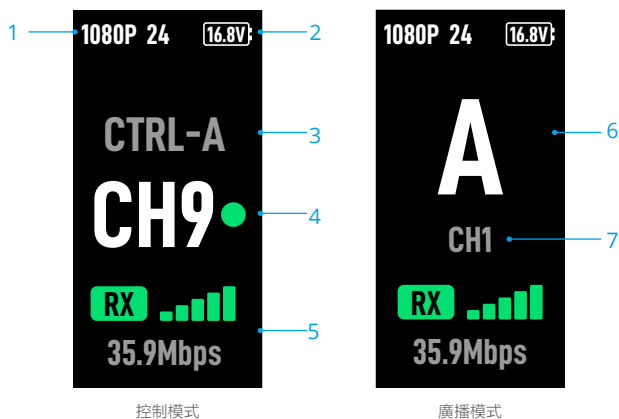
💡 • 在廣播模式下，長按選單轉盤可重新整理搜尋結果。

配對狀態指示燈

配對狀態指示燈	說明
紅燈恆亮	裝置已啟動，未連接
紅綠燈交替閃爍	正在配對
綠燈恆亮	控制模式配對成功，無線影像傳輸正常連接 廣播模式已開啟
紅燈閃爍	裝置內部故障，請聯絡 DJI 技術支援

螢幕操作

主介面



1. 影片規格

顯示目前發射端輸入來源的解析度及影格率。

2. 供電電壓

顯示接收器供電電池電壓或 DC-IN 電源輸入的電壓。

3. 控制裝置

在控制模式下，顯示接收器目前設定為控制 A 或控制 B。

4. 頻道（控制模式）

顯示目前頻道及頻道品質。頻道品質顯示包括訊號強（綠色）及訊號弱（紅色）。連按兩下選單轉盤可快速切換頻道。

5. 傳輸訊號強度及傳輸速率

顯示目前傳輸訊號強度及傳輸速率。傳輸訊號強度顯示包括訊號強（綠色）、訊號中等（橙色）、訊號弱（紅色）。

6. 機位號碼


在廣播模式下，將顯示發射端裝置的序號。連按兩下選單轉盤將顯示上一次廣播模式的搜尋結果，可切換機位或重新整理搜尋結果。

7. 頻道（廣播模式）

顯示目前頻道。在選單中可查看各頻道品質。

功能表

在主介面下短按影像傳輸接收器上的選單轉盤，進入功能表，可進行以下各項設定及操作。透過轉動和按壓轉盤進行選擇及確認，以操作螢幕選單，短按返回按鍵可返回上一層選單。

連接模式	選擇控制模式或廣播模式。若選擇控制模式，需將所使用的裝置設定為控制 A 或控制 B。
頻道	在控制模式下可查看各頻道品質及選擇頻道。 在廣播模式下僅可查看各頻道品質，用於輔助發射端選擇頻道。
機位號碼	僅在廣播模式下可顯示此選單。進入選單後，將顯示上一次廣播模式搜尋結果，可切換機位或重新整理搜尋結果。
風扇模式	風扇模式可選擇為正常或低噪音。  在低噪音模式下，若裝置溫度過高，則風扇模式將自動切換至正常。
Type-C 功能	設定為 USB 時，連接 USB-C 連接埠至電腦，可使用 DJI Assistant 2 調參軟體。 在控制模式下，當發射端與接收端均設定為語音通話時，將搭載麥克風的耳機插入 USB-C 連接埠，可執行發射端與接收端的即時語音傳輸。使用耳機內建的音量鍵可調整語音通話的音量大小。  在 DJI 官網產品頁面的常見問題中可查看耳機相容清單。亦可使用 48kHz/16bit 的數位耳機。
低延時模式	若開啟此模式，影格率將轉換為 60fps。
語言	在語言列表中選擇介面語言。
裝置資訊	查看裝置序號、版本號碼等資訊。

附錄

韌體升級

使用 DJI Assistant 2 (Ronin 系列) 調參軟體可升級影像傳輸接收器。

1. 開啟裝置。確保螢幕選單中的 Type-C 功能已設定為 USB，然後使用 USB-C 接線將裝置連接至電腦。
2. 啟動 DJI Assistant 2 (Ronin 系列) 調參軟體，再使用 DJI 帳號登入並進入主介面。
3. 點選裝置圖示，然後點選左邊的韌體升級選項。
4. 選擇並確認需要升級的韌體版本。
5. 調參軟體將自行下載並升級韌體。
6. 升級完成後，裝置將自動重新啟動。

規格參數

重量	約 350 g (裸機, 不含天線)
尺寸	127 × 87 × 26 mm (不含天線)
運作頻率 ^[1]	2.4000-2.4835 GHz, 5.150-5.250 GHz, 5.250-5.350 GHz, 5.470-5.725 GHz, 5.725-5.850 GHz
發射功率 (EIRP)	2.4 GHz: <33 dBm (FCC), <20 dBm (SRRC/CE/MIC) 5.8 GHz: <33 dBm (FCC), <14 dBm (CE), <23 dBm (SRRC)
功率消耗	9 W
供電電壓	6-18 V
輸出電壓	6-18 V
續航時間 ^[2]	3 小時 50 分
輸出影片格式	<ul style="list-style-type: none"> • 搭配 DJI 影像傳輸發射器: 1080p: 23.98/24/25/29.97/30/50/59.94/60fps 720p: 50/59.94/60fps • 搭配 Ronin 4D: 1080p: 24/25/30/50/60fps
輸出音訊格式	SDI 內嵌, HDMI 內嵌
影像傳輸方案	O3 Pro
最大編碼位元率	40 Mbps
影像傳輸延遲	70 ms (1080p 60fps)
影片編碼格式	H.264

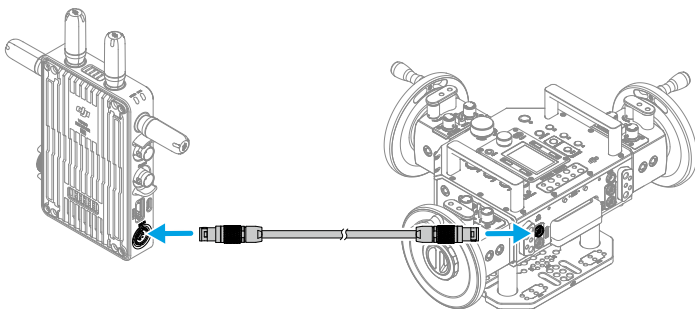
最大影像傳輸距離	6 km (FCC), 4 km (CE/SRRC/MIC) (無干擾、無遮擋)
最大通訊頻寬	40 MHz
運作環境溫度 ^[3]	-10 至 45°C

- [1] 部分地區不支援 5.1/5.2/5.8 GHz 頻段；部分地區 5.1/5.2 GHz 頻段僅限室內使用，詳情請參考當地法律法規。5.600-5.650 GHz 頻段未使用。
- [2] 透過充飽電的 WB37 智能電池供電並搭配 DJI 影像傳輸發射器使用，在室溫 25°C 環境下測得。
- [3] 若使用 WB37 智能電池，建議運作環境溫度於 0°C 以上。於 0°C 以下使用時，請採取電池保溫措施。

使用其他控制裝置

將 DJI Master Wheels 連接至影像傳輸接收器，可遠端控制發射端裝置。

連接方法：準備 DJI 影像傳輸高亮度監視器控制器連接線，使用此連接線將 Master Wheels 的 DC-OUT 連接埠連接至影像傳輸接收器的 DC-IN 連接埠。



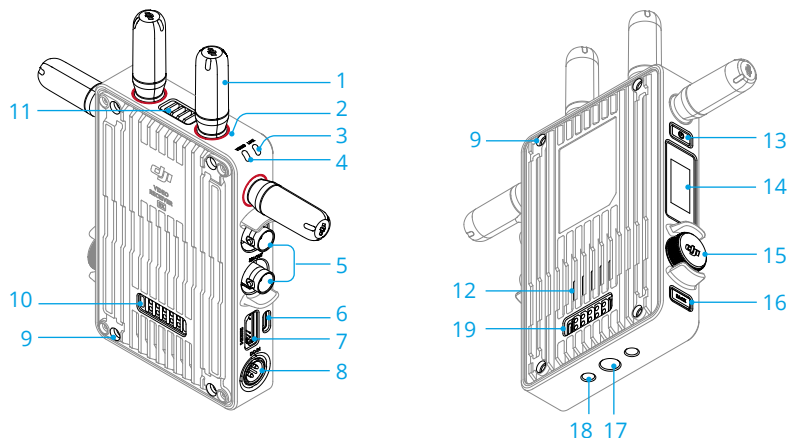
免責事項および警告

ご使用前に、この文書全体に目を通し、安全で合法的慣行についての説明を注意深くお読みください。

はじめに

DJI™映像レシーバーはDJI O3 Pro映像伝送に対応し、トランスミッターからの映像信号を受信します。干渉や障害物のない環境では、映像レシーバーは最大伝送距離6 km*、最大ビットレート40 Mbps、終点間の最小遅延70 msという映像伝送を実現します。制御モードと配信モードの両方で複数の周波数帯に対応し、同時に複数の映像信号をディスプレイデバイスに送信できるので、遠隔からのモニタリングが可能になります。DJI 映像トランスミッターまたはDJI Ronin 4D 映像トランスミッターと使用することにより、映像レシーバーは、映画/TVシリーズ/広告/ドキュメンタリーなどのメディア向け映像制作の要件を満たすことができます。

* FCC準拠で、障害物や電波干渉のない環境で、映像伝送制御システムを制御モード（トランスミッターデバイスで配信モードは無効）で動作させて測定した値です。（日本国内：4 km）



1. 脱着式アンテナ

無線信号を伝送します。

2. カラーマーク

レシーバーとトランスミッターを区別するために使用します。レシーバーには赤色のマークが付いています。または、パッケージに同梱されている様々なカラーステッカーを各デバイスに貼り付けて、区別することもできます。

3. リンクステータス インジケータ

レシーバーとトランスミッター間の接続ステータスを示します。点滅パターンに関する詳細は、「リンク」のセクションを参照してください。

4. 映像ステータス インジケータ

トランスミッターからレシーバーに映像信号が送信可能かどうかを示します。映像信号が送信可能な場合は緑色に点灯し、映像信号が送信不可能であれば赤色に点灯します。

5. SDI出力ポート

映像信号を出力します。

6. USB-Cポート

USB-Cケーブルを使用してDJI Assistant 2 (Roninシリーズ) ソフトウェアに接続し、デバイスのアクティベーションとファームウェア更新を行います。音声通話用にマイク内蔵のヘッドフォンを接続します。ご使用前に、レシーバー側でType-C機能を設定する必要があります。詳しくは「メニュー」のセクションを参照してください。

7. HDMIポート (Type-A)

映像信号を出力します。

8. DC-INポート

付属の電源ケーブルを使用して映像レシーバーに電力を供給します。電圧は6~18 Vで、最大電流は2 Aです。

9. M4ねじ穴


バッテリーアダプターまたはその他の拡張用アダプターを取り付けます。

10. 電源出力ポート

外部デバイスに電力を供給します。

11. 通気口

12. 吸気口

 ・通気口、吸気口、またはバッテリーアダプターの両側（バッテリーアダプターを取り付ける場合）を塞がないでください。過熱によりデバイスの性能に影響を及ぼす可能性があります。

13. 電源ボタン

1回押すと、電源が入ります。長押しすると、電源が切れます。

14. ディスプレイ画面

デバイスの状態とメニューが表示されます。

15. メニューダイヤル

ダイヤルを回してメニューの設定を選択し、押して確定します。以下の詳細を参照してください。

1回押す：ホーム画面からメニューに入る、もしくはメニューの設定を確定します。

回す：オプションを切り替えます。

長押し：リンクステータスを入力する（制御モード）、もしくはデバイスを検索します（配信モード）。

2回押す：ホーム画面で、チャンネル（制御モード）またはデバイス番号（配信モード）を選択します。

16. 戻るボタン

押すと、メニューの前の画面に戻ります。

17. 3/8-16 ねじ穴

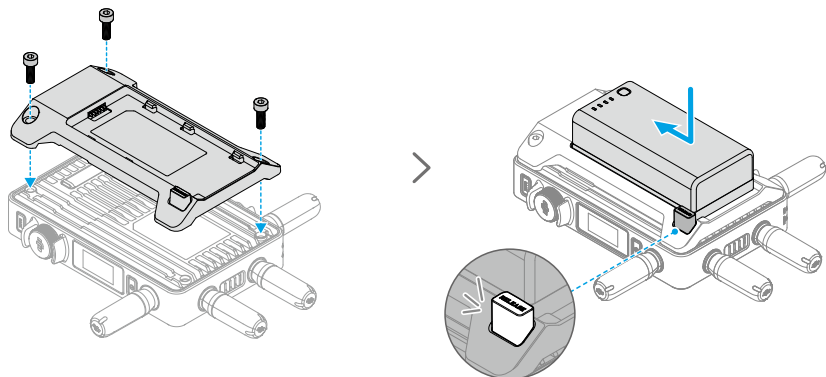
18. 1/4-20 ねじ穴

19. 外部電源入力ポート

バッテリーアダプターおよび互換性のあるバッテリーを取り付けて、映像レシーバーに電力を供給します。

取り付けと接続

WB37インテリジェント バッテリーの取り付け



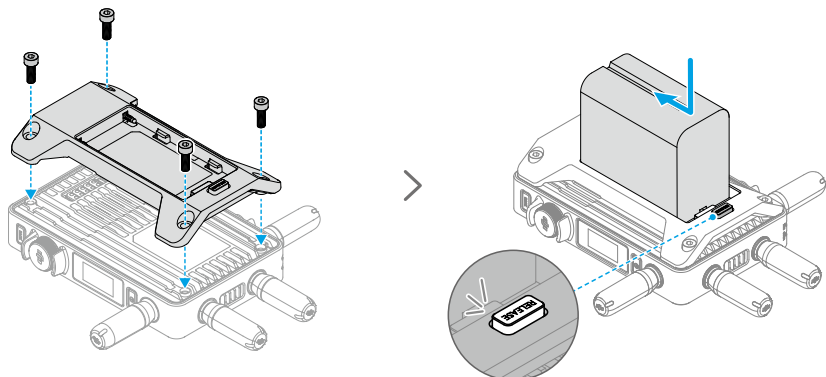
初めて使用する前に、WB37バッテリー充電ハブ(USB-C)で充電して、WB37バッテリーをアクティベーションしてください。詳細については、WB37バッテリー充電ハブ (USB-C) のユーザーガイドを参照してください。

1. WB37バッテリーアダプターを映像レシーバーの背面に取り付け、3本のM4×12ねじで締めます。
2. WB37バッテリーを映像レシーバーのバッテリー収納部に挿入します。バッテリー取り外しボタンが飛び出て、バッテリーがカチッという音がして正しい位置に挿入されたことを確認してください。

⚠ ・WB37バッテリーは動作環境温度範囲で使用するようにしてください。いかなる方法でもバッテリーの分解や穴あけを行わないでください。バッテリーの漏れ、発火、爆発が起こる恐れがあります。ご使用前に『WB37 インテリジェント バッテリー 安全に関するガイドライン』を参照してください。

バッテリーを取り外すには、取り外しボタンを押したまま、バッテリーを反対方向に動かします。

NP-Fシリーズバッテリーの取り付け

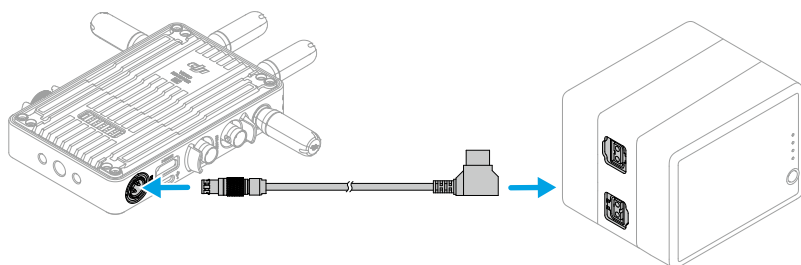


1. NP-Fバッテリーアダプターを映像レシーバーの背面に取り付け、4本のM4×12ねじで締めます。
2. NP-Fシリーズバッテリーを映像レシーバーのバッテリー収納部に挿入します。バッテリー取り外しボタンが飛び出て、バッテリーがカチッという音がして正しい位置に挿入されたことを確認してください。

バッテリーを取り外すには、取り外しボタンを押したまま、バッテリーを反対方向に動かします。

DC - P-Tap電源ケーブルの接続

P-Tapポートのあるバッテリーを使用すると、映像レシーバーに電源を供給できます。付属のDC - P-Tap電源ケーブルを使用して、バッテリーのP-Tapポートと映像レシーバーのDC-INポートを接続します。



アクティベーション

映像レシーバーを初めて使用する場合は、アクティベーションが必要です。映像レシーバーの電源を入れ、USB-Cケーブルでパソコンに接続します。DJI Assistant 2 (Roninシリーズ) を起動し、対応するデバイスのアイコンをクリックして、画面の指示に従ってデバイスをアクティベーションします。

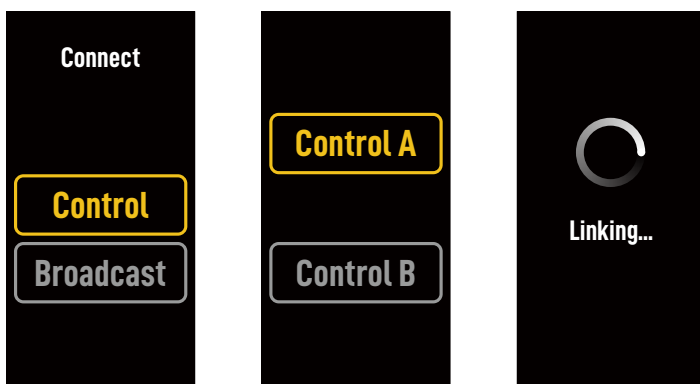
ソフトウェアのダウンロードリンク：<https://www.dji.com/transmission/downloads>

リンク

ご使用前に、映像レシーバーをトランスミッターデバイスにリンクする必要があります。映像トランスミッターの映像伝送システムでは、映像レシーバーとトランスミッターデバイスとの接続に、リンク方法はそれぞれ異なる制御モードと配信モードを使用します。手順とリンクステータスインジケータの説明については、次のセクションを参照してください。

制御モード

制御モード（トランスミッターデバイスの配信モードが無効）では、映像伝送システムの伝送距離が長くなり、強力な耐干渉性と選択可能なチャンネルが増えます。DJI Proアクセサリ（DJI Master Wheelsなど）を遠隔操作用に映像レシーバーに接続すると、トランスミッターデバイスで映像レシーバーからの制御信号を受信することもできます。



1. 映像レシーバーの電源を入れます。映像レシーバーのメニューダイヤルを押して、メニューに入ります。
2. ダイヤルを押して接続メニューに入り、ダイヤルを回してメニューの[制御]を選択し、ダイヤルを押して確定します。映像レシーバーを[制御A]または[制御B]に設定し、ダイヤルを再び押して確定します。ディスプレイ画面には[リンク中]と表示され、リンクステータスインジケータが赤色と緑色に交互に点滅し、デバイスがリンクしていることを示します。

-
- ☞ 映像レシーバーが制御モードで、[制御A]または[制御B]に任意で設定されている場合、メニューダイヤルを直接長押しすると、リンクに入ります。
 - 同じトランスミッターデバイスに2台の映像レシーバーが接続する場合は、まず[制御A]の映像レシーバーとリンクし、次に[制御B]の映像レシーバーとリンクします。
-

3. DJI 映像トランスミッターの使用：

DJI 映像トランスミッターの電源を入れます。映像トランスミッターのメニューダイヤルを長押しして、リンク接続ステータスに入ります。映像トランスミッターのリンクステータスインジケータが赤色と緑色に交互に点滅し、デバイスがリンクしていることを示します。

DJI Ronin 4D 映像トランスミッターの使用：

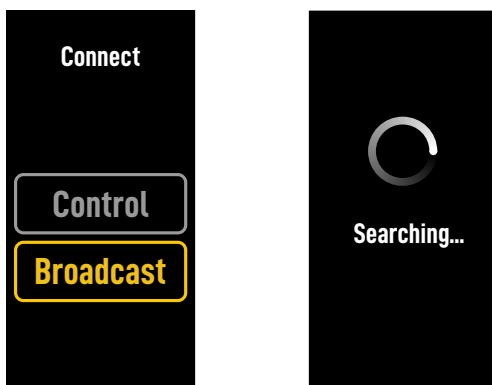
リンク接続を開始するには、Ronin 4D 映像トランスミッターのリンクボタンを長押しするか、

Ronin 4D高輝度メインモニターのメニューに移動し、[伝送]、[デバイスをリンク]の順にタップします。映像トランスミッターのリンクステータス インジケーターが赤色と緑色に交互に点滅し、デバイスがリンクしていることを示します。

4. リンク接続が完了すると、映像レシーバーのリンクステータスインジケーターが緑色に点灯し、映像レシーバーがトランスミッターデバイスと通信できるようになります。

配信モード

配信モードでは、映像レシーバーを上限なくトランスミッターデバイスに接続でき、モニターとして使用できます。複数のトランスミッターデバイスを使用するシナリオでは、配信モードの映像レシーバーで、任意のトランスミッターデバイスを素早く選択して、複数のチャンネルでのモニターリングが可能になります。



1. 映像レシーバーの電源を入れます。映像レシーバーのメニューダイヤルを押して、メニューに入ります。
2. ダイヤルを押して接続メニューに入り、ダイヤルを回してメニューの[配信]を選択し、ダイヤルを押して確定します。
3. 検索結果が表示されるまで待ち、接続するデバイスを選択します。

☞ • 配信モードでは、ダイヤルを長押しすると検索結果が更新されます。

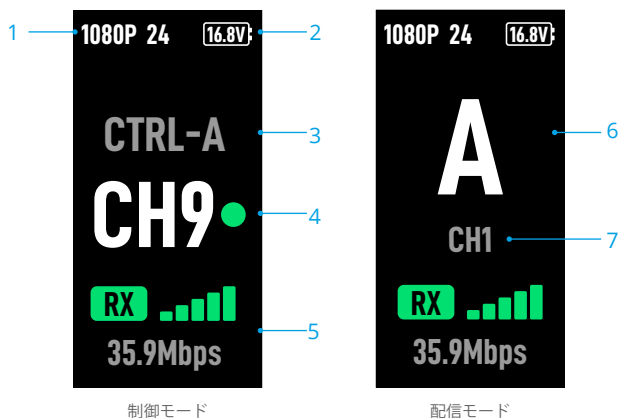
リンクステータス インジケーター

リンクステータス インジケーター 説明

赤色点灯	デバイスは起動していますが、接続していません。
赤色と緑色に交互に点滅	リンクしています。
緑色点灯	制御モードで正常にリンクしています。無線映像伝送が正常です。 配信モードが有効です。
赤色点滅	デバイスが故障しています。DJIサポートに連絡してください。

ディスプレイ画面操作

ホーム画面



1. 映像スペック

トランスミッターデバイスからの入力の解像度とフレームレートを表示します。

2. 電源電圧

バッテリーまたはDC-IN電源入力の電圧が表示されます。

3. 制御デバイス

制御モードで、映像レシーバーが[制御A]または[制御B]のどちらに設定されているかを表示します。

4. チャンネル（制御モード）

現在使用中のチャンネルとその信号品質を表示します。ステータスには、強（緑色）と弱（赤色）の2つがあります。メニューダイヤルを2回押すと、チャンネルを素早く切り替えられます。

5. 映像伝送の信号強度とビットレート

映像伝送の信号強度とビットレートを表示します。映像伝送の信号強度には、強（緑色）、中（オレンジ色）、弱（赤色）の3つのステータスがあります。

6. デバイス番号

配信モードでは、トランスミッターデバイスのデバイス番号が表示されます。メニューダイヤルを2回押すと、配信モードで最後に記録された検索結果が表示され、次に、デバイスを切り替えるか、検索結果を更新します。

7. チャンネル（配信モード）

使用中のチャンネルを表示します。メニューで各チャンネルの信号品質を表示します。

メニュー

ホーム画面で、映像レシーバーのメニューダイヤルを押してメニューに入り、次の設定や操作を実行します。ダイヤルを回してメニューの設定を選択し、押して確定します。戻るボタンを押すと、前の画面に戻ります。

接続	制御モードまたは配信モードを選択します。制御モードを選択した場合、使用するデバイスを[制御A]または[制御B]に設定する必要があります。
チャンネル	制御モードでは、各チャンネルの信号品質が表示され、最適なチャンネルを選択できます。 配信モードでは、トランスミッターデバイスでのチャンネル選択用のみ、各チャンネルの信号品質が表示されます。
デバイス番号	配信モードでのみ、このメニューが表示されます。メニューに入ると、配信モードでの最後の検索結果が表示されます。デバイスを切り替えるか、検索結果を更新します。
ファンモード	ファンモードを[標準]または[低ノイズ]に設定します。 ☀️ [低ノイズ]が選択されていて、デバイスが高温になると、ファンモードが自動的に[標準]に切り替わります。
Type-C機能	DJI Assistant 2でファームウェア更新にUSB-Cポートを使用する場合は、[USB]を選択します。 制御モードでトランスミッターとレシーバーのType-C機能を[音声通話]に設定し、マイク内蔵ヘッドフォンをUSB-Cポートに接続すると、トランスミッターとレシーバー間で音声通話が可能になります。音声通話の音量を調整するには、ヘッドフォンの音量ボタンを使用します。 ☀️ 対応ヘッドフォンについては、DJI公式サイトの商品ページのFAQページをご覧ください。その他の48kHz/16bitデジタルヘッドフォンにも対応しています。
低遅延	有効にすると、フレームレートを60fpsに変換します。
言語	言語リストでシステム言語を選択します。
機器情報	デバイスのシリアルナンバーとファームウェアバージョンを表示します。

付録

ファームウェア更新

DJI Assistant 2 (Roninシリーズ) ソフトウェアを使用して、映像レシーバーのファームウェアを更新します。

1. デバイスの電源を入れます。メニュー上で、Type-C機能が[USB]に設定されていることを確認します。USB-Cケーブルで、デバイスをパソコンに接続します。
2. DJI Assistant 2 (Roninシリーズ) を起動し、DJIアカウントでログインします。
3. デバイスを選択し、画面左側にあるファームウェア更新をクリックします。
4. ファームウェアを選択します。
5. 自動的にファームウェアがダウンロードされ、更新が行われます。
6. ファームウェア更新が完了すると、デバイスが自動的に再起動します。

仕様

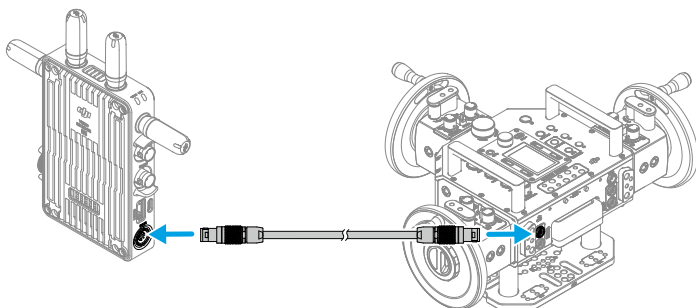
重量	約350 g (レシーバーのみ、アンテナを除く)
サイズ	127×87×26 mm (アンテナを除く)
動作周波数 ^[1]	2.4000~2.4835 GHz、5.150~5.250 GHz、5.250~5.350 GHz、 5.470~5.725 GHz、 5.725~5.850 GHz
伝送電力 (EIRP)	2.4 GHz: <33 dBm (FCC)、<20 dBm (SRRC/CE/MIC (日本)) 5.8 GHz: <33 dBm (FCC)、<14 dBm (CE)、<23 dBm (SRRC)
消費電力	9 W
電源電圧	6~18 V
出力電圧	6~18 V
バッテリー駆動時間 ^[2]	3時間50分
出力動画フォーマット	• DJI映像トランスミッター使用時: 1080p: 23.98/24/25/29.97/30/50/59.94/60fps 720p: 50/59.94/60fps • Ronin 4D使用時: 1080p: 24/25/30/50/60fps
出力音声フォーマット	SDI (エンベデッド対応)、HDMI (エンベデッド対応)
映像伝送システム	O3 Pro
最大ビットレート	40 Mbps
遅延	70 ms (1080p 60fps)
動画コーディング形式	H.264
最大伝送距離	6 km (FCC), 4 km (CE/SRRC/MIC (日本)) (障害物、電波干渉のない場合)

最大帯域幅	40 MHz
動作環境温度 ^[3]	-10°C～45°C

- [1] 現地の法規制により、国によっては、5.1/5.2/5.8 GHz 周波数帯が使用できない、または、5.1/5.2 GHz 周波数帯が屋内でのみ利用可能である場合があります。（日本国内では、5.8 GHz 帯は使用不可）5.600～5.650 GHz は使用しません。
- [2] WB37 インテリジェント バッテリーが完全に充電された状態で、DJI 映像トランスミッターを使用し、室温 25°C の環境でテストした測定値です。
- [3] WB37 インテリジェント バッテリー使用時、0°C 以上の温度の環境でデバイスを操作することを推奨します。0°C を下回る環境で使用する場合、バッテリーを保温する対策を講じてください。

他の制御デバイスの使用

DJI Master Wheelsを映像レシーバーに接続して、トランスミッターデバイスを遠隔で制御します。
 接続：DJI 高輝度遠隔モニターの制御ケーブルを使用して、DJI Master WheelsのDC-OUTポートを、映像レシーバーのDC-INポートに接続します。



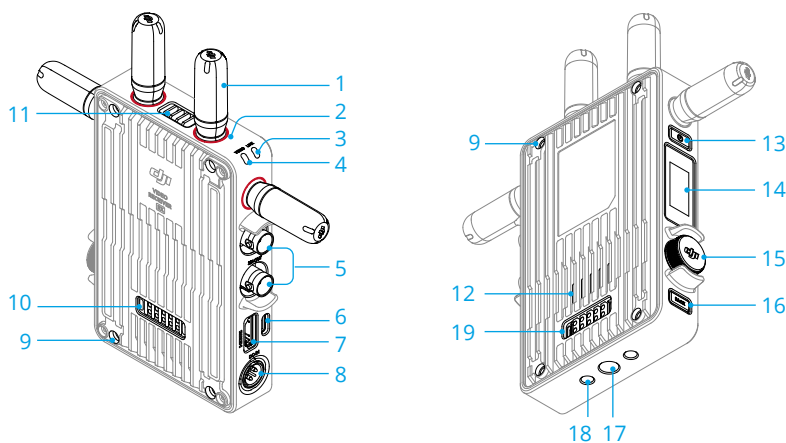
고지 사항 및 경고

본 문서 및 제공된 모든 안전하고 적절한 사용 방법을 사용 전에 주의 깊게 읽어 주십시오.

소개

DJI™ 동영상 수신기는 DJI O3 Pro 동영상 전송 기능을 갖추고 있으며 송신기로부터 동영상 신호를 수신합니다. 간섭이나 장애물이 없는 환경에서 동영상 수신기는 6km*의 최대 전송 범위, 최대 40Mbps의 비트전송률, 종단 간 최소 70ms의 지연율로 동영상 전송을 제공합니다. ‘Control(제어)’ 및 ‘Broadcast(방송)’ 모드 모두에서 다중 주파수 대역을 지원하고 원격 모니터링을 위해 동영상 출력 기기에 다중 동영상 신호를 동시에 출력합니다. DJI 동영상 송신기 또는 DJI Ronin 4D 동영상 송신기와 함께 사용하면, 동영상 수신기는 영화, TV 시리즈, 광고, 다큐멘터리와 같은 매체의 촬영 요구 사항을 충족할 수 있습니다.

* FCC 기준, 장애물과 간섭이 없는 환경에서 동영상 전송 시스템을 ‘Control(제어) 모드(송신기 ‘Broadcast(방송) 모드’ 비활성화)’로 설정한 상태로 측정된 값입니다.



1. 탈착형 안테나

무선 신호를 전송합니다.

2. 색상 표시

수신기와 송신기를 식별하기 위해 사용됩니다. 수신기는 빨간색 색상 표시로 식별됩니다. 사용자는 식별을 위해 패키지에 포함된 다양한 색상의 스티커를 기기에 부착할 수도 있습니다.

3. 연동 상태 표시등

수신기와 송신기 간의 연결 상태를 표시합니다. 깜박임 패턴에 대한 자세한 내용은 연동 색션을 참조하십시오.

4. 동영상 상태 표시등

송신기에서 수신기로 전송되는 동영상 신호가 있는지 여부를 나타냅니다. 녹색 유지는 동영상 신호 전송이 있음을 나타내고 적색 유지는 동영상 신호 전송이 없음을 나타냅니다.

5. SDI OUTPUT 포트

동영상 신호를 출력합니다.

6. USB-C 포트

USB-C 케이블을 사용하여 DJI Assistant 2(Ronin 시리즈) 소프트웨어에 연결해 기기 활성화 및 펌웨어를 업데이트합니다. 음성 통화를 위해 마이크가 내장된 헤드폰을 연결합니다. 사용하기 전에 수신기에서 Type-C 기능을 설정해야 합니다. 자세한 내용은 'Menu(메뉴)' 섹션을 참조하십시오.

7. HDMI 포트 (Type-A)

동영상 신호를 출력합니다.

8. DC-IN 포트

제공된 전원 케이블을 사용하여 동영상 수신기에 전원을 공급합니다. 전압 6~18V 및 최대 전류 2A.

9. M4 나사 구멍


확장을 위해 배터리 어댑터 또는 기타 어댑터를 장착합니다.

10. 전원 출력 포트

외장 기기에 전원을 공급합니다.

11. 통풍구

12. 흡기구

 • 통풍구, 흡기구 또는 배터리 어댑터가 장착된 경우 양쪽 측면을 덮지 마십시오. 그렇지 않으면, 과열로 인해 기기 성능에 영향을 줄 수 있습니다.

13. 전원 버튼

전원을 켜려면 한 번 누릅니다. 길게 눌러 전원을 끕니다.

14. 디스플레이 화면

기기 상태와 메뉴를 표시합니다.

15. 메뉴 다이얼

다이얼을 돌리거나 눌러 메뉴에서 설정을 선택하거나 확인합니다. 아래 세부 사항을 참조하십시오.

한 번 누르기: 홈 화면에서 메뉴로 들어가거나 메뉴에서 설정을 확인합니다.

돌리기: 옵션 사이를 전환합니다.

길게 누르기: 연동 상태(제어 모드)로 들어가거나 기기를 검색(방송 모드)합니다.

두 번 누르기: 홈 화면에서 채널(제어 모드) 또는 기기 번호(방송 모드)를 선택합니다.

16. 뒤로가기 버튼

누르면 메뉴의 이전 화면으로 돌아갑니다.

17. 3/8"-16 나사 구멍

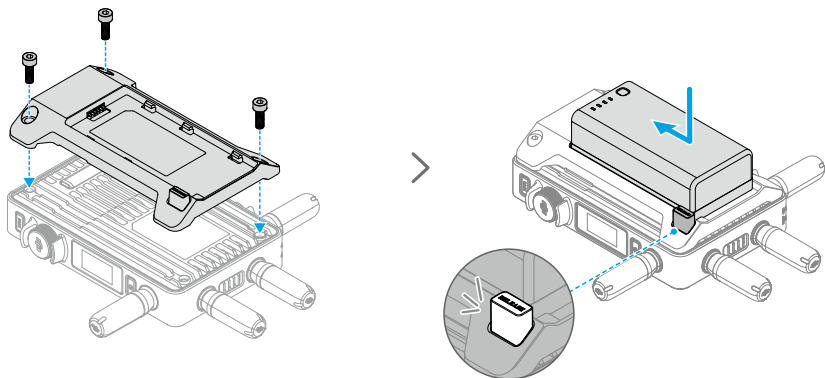
18. 1/4"-20 나사 구멍

19. 외부 전원 입력 포트

배터리 어댑터와 호환되는 배터리를 장착하여 동영상 수신기에 전원을 공급합니다.

설치 및 연결

WB37 인텔리전트 배터리 장착하기



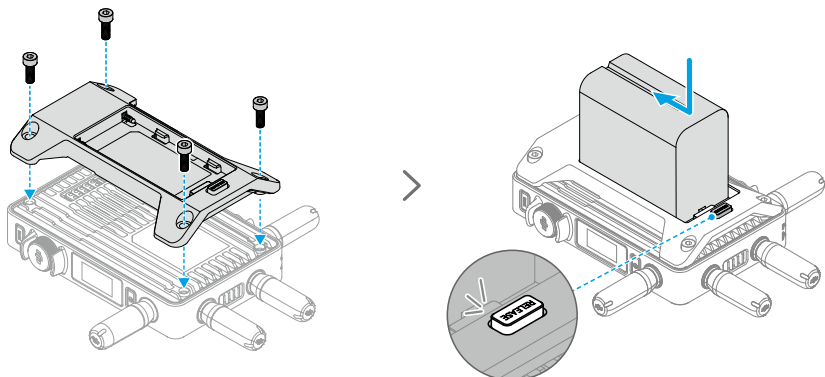
처음 사용하기 전, WB37 배터리 충전 허브(USB-C)를 사용해 WB37 배터리를 활성화해야 합니다. 자세한 내용은 WB37 배터리 충전 허브(USB-C) 사용자 가이드를 참조하십시오.

1. WB37 배터리 어댑터를 동영상 수신기 뒷면에 장착하고 3개의 M4×12 나사를 조입니다.
2. WB37 배터리를 동영상 수신기의 배터리 구획에 삽입합니다. 배터리 분리 버튼이 튀어나오고 배터리가 고정되는지 확인하십시오.

⚠ • WB37 배터리를 작동 온도 범위에서 사용해야 합니다. 배터리를 어떤 식으로든 분해하거나 구멍을 뚫지 마십시오. 배터리가 누출, 화재 발생, 또는 폭발할 수 있습니다. 배터리의 안전 사용에 대한 자세한 내용은 WB37 인텔리전트 배터리 안전 가이드를 참조하십시오.

분리 버튼을 누른 상태에서 배터리를 반대 방향으로 밀어 분리합니다.

NP-F 시리즈 배터리 장착

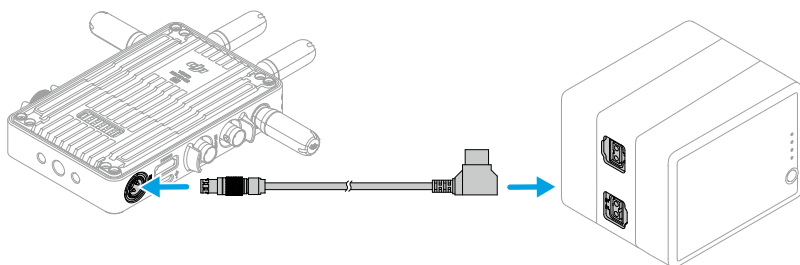


1. NP-F 배터리 어댑터를 동영상 수신기 뒷면에 장착하고 4개의 M4×12 나사를 조입니다.
2. NP-F 시리즈 배터리를 동영상 수신기의 배터리 구획에 삽입합니다. 배터리 분리 버튼이 튀어나오고 배터리가 고정되는지 확인하십시오.

분리 버튼을 누른 상태에서 배터리를 반대 방향으로 밀어 분리합니다.

DC to P-Tap 전원 케이블 연결

P-Tap 포트가 있는 배터리를 사용하여 동영상 수신기에 전원을 공급할 수 있습니다. 제공된 DC to P-Tap 전원 케이블을 사용하여 배터리의 P-Tap 포트와 동영상 수신기의 DC-IN 포트를 연결합니다.



활성화

동영상 수신기를 처음 사용하는 경우 활성화가 필요합니다. 동영상 수신기의 전원을 켜고 USB-C 케이블을 사용하여 컴퓨터에 연결합니다. DJI Assistant 2(Ronin 시리즈)를 실행하고 해당 기기 아이콘을 클릭한 다음 화면의 지시에 따라 기기를 활성화합니다.

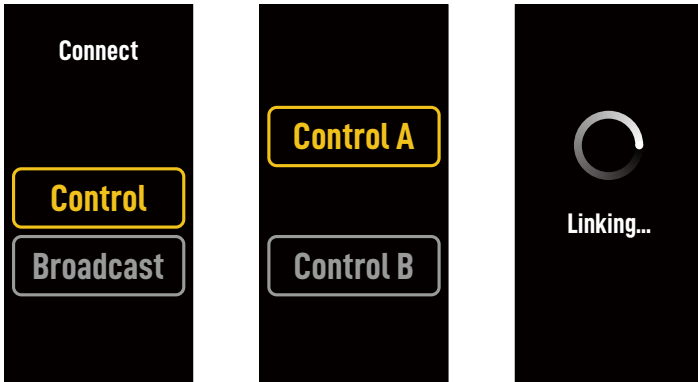
소프트웨어 다운로드: <https://www.dji.com/transmission/downloads>

연동

동영상 수신기는 사용 전에 송신기에 연동되어야 합니다. 동영상 수신기의 동영상 전송 시스템은 동영상 수신기와 송신기 사이에 서로 다른 연동 방식을 사용하는 ‘Control(제어)’ 모드와 ‘Broadcast(방송)’ 모드를 제공합니다. 지침 및 연동 상태 표시등 설명은 다음 섹션을 참조하십시오.

Control(제어) 모드

‘Control(제어)’ 모드(송신기의 방송 모드가 비활성화됨)에서 동영상 전송 시스템은 더 긴 전송 거리, 더 강력한 간섭 방지 및 더 많은 선택 가능한 채널을 갖습니다. 송신기는 원격 제어를 위해 DJI 마스터 휠과 같은 DJI Pro 액세서리를 동영상 수신기에 연결할 때 동영상 수신기로부터 제어 신호를 수신할 수도 있습니다.



1. 동영상 수신기의 전원을 켭니다. 동영상 수신기의 메뉴 다이얼을 눌러 메뉴로 들어갑니다.
2. 다이얼을 눌러 ‘Connect(연결)’ 메뉴로 들어가고 다이얼을 돌려 메뉴에서 ‘Control(제어)’를 선택한 후 다이얼을 눌러 확인합니다. 동영상 수신기를 ‘Control A(A 제어)’ 또는 ‘Control B(B 제어)’로 설정하려면 선택하고 다이얼을 다시 눌러 확인합니다. 디스플레이 화면에 연동 중이 표시되고 연동 상태 표시등이 적색과 녹색으로 번갈아 깜박여 기기가 연동 중임을 나타냅니다.

- ☀️ • 동영상 수신기가 ‘Control(제어)’ 모드에 있고 원하는 ‘Control A(A 제어)’ 또는 ‘Control B(B 제어)’로 설정되어 있으면 메뉴 다이얼을 길게 눌러 바로 연동을 시작합니다.
- 두 개의 동영상 수신기가 동일한 송신기에 연결될 경우, 먼저 ‘A 제어’ 동영상 수신기와 연동한 다음 ‘B 제어’ 동영상 수신기와 연결합니다.

3. DJI 동영상 송신기 사용:

DJI 동영상 송신기의 전원을 켭니다. 동영상 송신기의 메뉴 다이얼을 길게 눌러 연동 상태를 실행합니다. 동영상 송신기의 연동 상태 표시등이 빨간색과 녹색으로 번갈아 깜박이며 기기가 연동되고 있음을 나타냅니다.

DJI Ronin 4D 영상 송신기 사용:

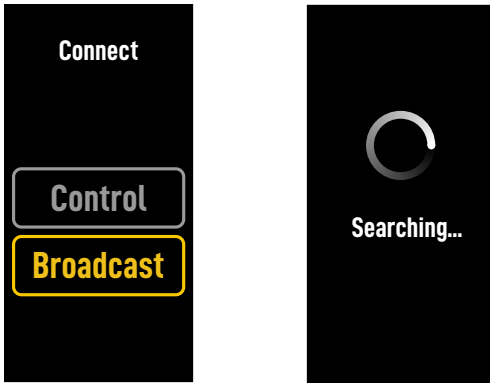
연동을 시작하려면 Ronin 4D 동영상 송신기의 연동 버튼을 길게 누르거나, Ronin 4D 고휘도 메인

모니터에서 메뉴로 들어가서 ‘Transmission(전송)’을 누른 후 ‘Link Device(기기 연동)’을 누릅니다. 동영상 송신기의 연동 상태 표시등이 빨간색과 녹색으로 번갈아 깜박이며 기기가 연동되고 있음을 나타냅니다.

- 연동이 완료되면 동영상 수신기의 연동 상태 표시등이 녹색으로 유지되고 동영상 수신기가 송신기와 통신할 수 있게 됩니다.

Broadcast(방송) 모드

‘Broadcast(방송)’ 모드에서는 모니터링 기기로 사용되는 동영상 수신기를 무제한으로 송신기에 연결할 수 있습니다. 여러 송신기를 사용하는 상황에서 방송 모드의 동영상 수신기는 원하는 송신기를 빠르게 선택하여 다중 채널 모니터링을 실행할 수 있습니다.



- 동영상 수신기의 전원을 켭니다. 동영상 수신기의 메뉴 다이얼을 눌러 메뉴로 들어갑니다.
- 다이얼을 눌러 연결 메뉴로 들어가 메뉴에서 다이얼을 돌려 방송을 선택한 후 다이얼을 눌러 확인합니다.
- 검색 결과가 완료될 때까지 기다린 후 연결할 기기를 선택합니다.

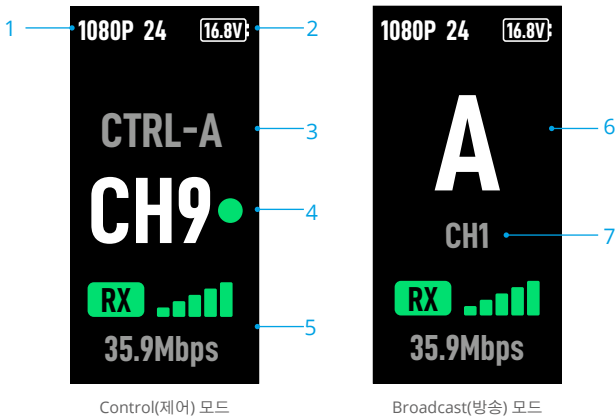
☀️ • ‘Broadcast(방송)’에서 검색 결과를 새로 고침하려면 다이얼을 길게 누릅니다.

연동 상태 표시등

연동 상태 표시등	설명
빨간색 유지	기기 시작됨, 연결 안 됨.
빨간색과 녹색이 번갈아 깜박임	연동 중.
녹색 유지	‘Control(제어)’ 모드에서 연동에 성공함. 무선 동영상 송신 정상. ‘Broadcast(방송)’ 모드 활성화됨.
빨간색으로 깜박임	기기 오작동. DJI 고객센터 문의 필요.

디스플레이 화면 조작

홈 화면



1. 동영상 사양

송신기의 입력 해상도 및 프레임 속도를 표시합니다.

2. 전원 공급 전압

배터리의 전압 또는 DC-IN 전원 입력을 표시합니다.

3. 기기 제어

‘Control(제어)’ 모드에서 동영상 수신기가 ‘Control A(A 제어)’ 또는 ‘Control B(B 제어)’로 설정되어 있는지 표시합니다.

4. 채널 (제어 모드)

사용 중인 현재 채널과 신호 품질을 표시합니다. 강함(녹색)과 약함(적색)의 두 가지 상태가 있습니다. 빠른 채널 조정을 위해 메뉴 다이얼을 두 번 누릅니다.

5. 동영상 전송 신호 강도 및 비트전송률

동영상 전송 신호 강도 및 비트전송률을 표시합니다. 동영상 전송 신호 강도에는 강함(녹색), 보통(주황색), 약함(적색)의 세 가지 상태가 있습니다.

6. 기기 번호

‘Broadcast(방송)’ 모드에서 송신기의 기기 번호를 표시합니다. 메뉴 다이얼을 두 번 눌러 방송 모드에서 마지막으로 기록된 검색 결과를 확인한 다음 기기 사이를 전환하거나 검색 결과를 새로 고칩니다.

7. 채널 (방송 모드)

사용 중인 채널을 표시합니다. 메뉴에서 각 채널의 신호 품질을 봅니다.

메뉴

홈 화면에서 동영상 수신기의 메뉴 다이얼을 눌러 메뉴에 들어가 다음 구성 및 작업을 수행합니다. 다이얼을 돌리거나 눌러 메뉴에서 설정을 선택하거나 확인합니다. 뒤로가기 버튼을 누르면 이전 화면으로 돌아갑니다.

Connect (연결)	‘Control(제어)’ 모드 또는 ‘Broadcast(방송)’ 모드를 선택합니다. ‘Control(제어)’ 모드 선택 시 사용 중인 기기를 ‘Control A(A 제어)’ 또는 ‘Control B(B 제어)’로 설정해야 합니다.
Channel (채널)	‘Control(제어)’ 모드에서 각 채널의 신호 품질을 보고 채널을 선택합니다. 방송 모드에서는 오직 송신기의 채널 선택을 지원하기 위해 각 채널의 신호 품질을 봅니다.
Device Number (기기 번호)	이 메뉴는 방송 모드에서만 나타납니다. 방송 모드의 마지막 검색 결과는 메뉴에 들어간 후 표시됩니다. 기기 사이를 전환하거나 검색 결과를 새로 고칩니다.
Fan Mode (팬 모드)	팬 모드를 표준 또는 저소음으로 설정합니다. 💡 저소음을 선택하면 기기의 온도가 너무 높을 때 팬 모드가 자동으로 표준으로 전환됩니다.
Type-C Function (Type-C 기능)	DJI Assistant 2에서 펌웨어 업데이트를 위해 USB-C 포트를 사용할 때 USB를 선택합니다. ‘Control(제어)’ 모드에서 송신기와 수신기의 Type-C 기능을 음성 통화로 설정하고 마이크가 내장된 헤드폰을 USB-C 포트에 연결하면 송신기와 수신기 간의 음성 통화가 가능합니다. 헤드폰의 볼륨 버튼을 사용하여 음성 통화 볼륨을 조절합니다. 💡 공식 DJI 웹사이트 제품 페이지의 FAQ 페이지에서 호환되는 헤드폰을 확인합니다. 다른 48kHz/16비트 디지털 헤드폰도 지원됩니다.
Low Latency (저지연율)	활성화되면 프레임 속도가 60fps로 변환됩니다.
Language (언어)	언어 목록에서 시스템 언어를 선택합니다.
Device Info (기기 정보)	기기 SN 및 펌웨어 버전과 같은 정보를 봅니다.

부록

펌웨어 업데이트

DJI Assistant 2(Ronin 시리즈) 소프트웨어를 사용하여 동영상 수신기를 업데이트하십시오.

1. 기기의 전원을 켭니다. 메뉴에서 Type-C 기능이 USB로 설정되어 있는지 확인합니다. USB-C 케이블을 사용하여 기기를 컴퓨터에 연결합니다.
2. DJI Assistant 2(Ronin 시리즈)를 실행하고 DJI 계정으로 로그인합니다.
3. 기기를 선택하고 화면 왼쪽의 펌웨어 업데이트를 클릭합니다.
4. 펌웨어 버전을 선택합니다.
5. 펌웨어가 자동으로 다운로드 및 업데이트됩니다.
6. 펌웨어 업데이트 완료 후, 기체가 자동으로 재시작합니다.

사양

무게	약 350 g (수신기만, 안테나 제외)
크기	127×87×26 mm (안테나 제외)
작동 주파수 ^[1]	2.4000~2.4835 GHz, 5.725~5.850 GHz
송신기 출력 (EIRP)	2.4 GHz: <33 dBm (FCC), <20 dBm (SRRC/CE/MIC) 5.8 GHz: <33 dBm (FCC), <14 dBm (CE), <23 dBm (SRRC)
소비 전력	9 W
전원 공급 전압	6~18 V
출력 전압	6~18 V
배터리 사용 시간 ^[2]	3시간 50분
출력 동영상 파일 형식	<ul style="list-style-type: none"> • DJI 동영상 송신기와 함께 사용할 경우: 1080p: 23.98/24/25/29.97/30/50/59.94/60fps 720p: 50/59.94/60fps • Ronin 4D와 함께 사용할 경우: 1080p: 24/25/30/50/60fps
출력 오디오 형식	SDI 내장, HDMI 내장
동영상 전송 시스템	O3 Pro
최대 비트전송률	40 Mbps
지연율	70 ms (1080p 60fps)
동영상 코딩 형식	H.264
최대 전송 거리	6 km (FCC), 4 km (CE/SRRC/MIC) (장애물과 간섭이 없을 시)
최대 대역폭	40 MHz
작동 온도 ^[3]	-10~45 °C

[1] 현지 규정에 따라, 일부 국가에서 5.8GHz 주파수는 사용이 금지되어 있습니다.

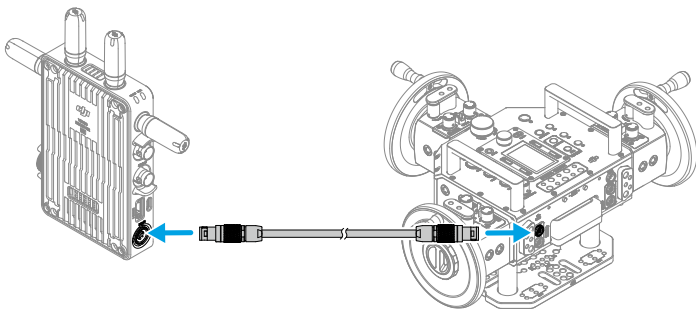
[2] 완전히 충전된 WB37 인텔리전트 배터리를 전원을 공급하고 DJI 영상 송신기와 함께 사용하여 25° C 의 실온에서 테스트했습니다.

[3] WB37 인텔리전트 배터리 사용 시, 0° C 이상 온도에서 기기를 조작할 것을 권장합니다. 0° C 미만 온도에서 사용 시, 적절한 방법을 사용해 배터리를 따뜻하게 유지해야 합니다 .

기타 제어 기기 사용

DJI 마스터 휠을 동영상 수신기에 연결하여 송신기를 원격으로 제어합니다.

연결: DJI 고회도 리모트 모니터 컨트롤러 케이블을 사용해 DJI 마스터 휠의 DC-OUT 포트를 동영상 수신기의 DC-IN 포트에 연결합니다.



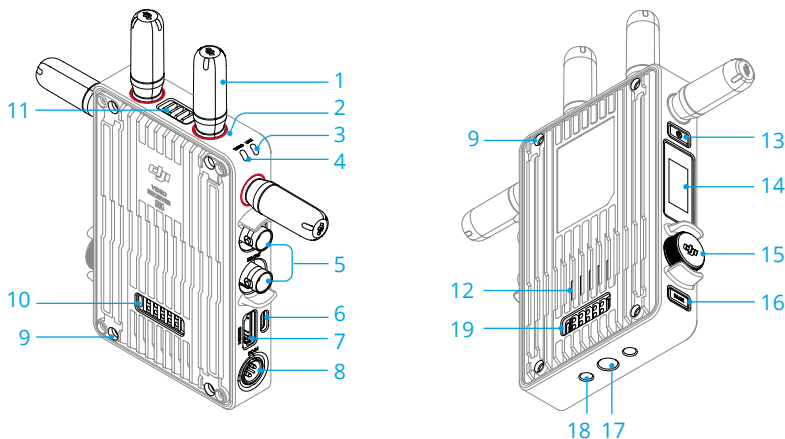
Haftungsausschluss und Warnhinweise

Bitte lies dir vor dem ersten Gebrauch dieses gesamte Dokument und alle Informationen zu sicheren und rechtmäßigen Praktiken sorgfältig durch.

Einführung

Der DJI™ Videoempfänger bietet DJI O3 Pro Videoübertragung und empfängt Videosignale vom Sender. In einer interferenz- und hindernisfreien Umgebung ermöglicht der Videoempfänger eine maximale Übertragungsreichweite von 6 km*, eine Bitrate von bis zu 40 Mbit/s und eine minimale End-to-End-Latenz von 70 ms. Er unterstützt mehrere Frequenzbänder sowohl im Steuerungs- als auch im Übertragungsmodus und gibt gleichzeitig mehrere Videosignale an Anzeigegeräte zur Bildkontrolle aus der Ferne aus. Bei Verwendung mit dem DJI Videosender oder mit der DJI Ronin 4D Videosender kann der Videoempfänger die Anforderungen von Medien wie Filmen, TV-Serien, Werbung und Dokumentationen erfüllen.

* Gemessen mit einem Videoübertragungssteuerungssystem im Steuerungsmodus (Übertragungsmodus im Sendergerät deaktiviert) in einer Umgebung frei von Hindernissen und Interferenzen, mit FCC-Standard.



1. Abnehmbare Antennen

Übertragen das Funksignal.

2. Farbmarkierungen

Dient zur Identifizierung des Empfängers und des Senders. Der Empfänger wird anhand der roten Farbmarkierungen identifiziert. Die Nutzer können zur Identifizierung auch die im Paket enthaltenen verschiedenfarbigen Aufkleber auf den Geräten anbringen.

3. Kopplungsstatusanzeige

Zeigt den Verbindungsstatus zwischen dem Empfänger und dem Sender an. Weitere Informationen zu Blinkfolgen findest du im Abschnitt „Kopplung“.

4. Videostatusanzeige

Zeigt an, ob ein Videosignal vom Sender an den Empfänger übertragen wird. Ein durchgehend

grünes Signal zeigt an, dass ein Videosignal übertragen wird. Ein durchgehend rotes Signal zeigt an, dass kein Videosignal übertragen wird.

5. SDI-Ausgänge

Ausgabe des Videosignals.

6. USB-C-Anschluss

Verbinde die Software DJI Assistant 2 (Ronin Serie) unter Verwendung eines USB-C-Kabels, um das Gerät zu aktivieren und die Firmware zu aktualisieren. Schließe für Sprachanrufe Kopfhörer mit integriertem Mikrophon an. Vor dem ersten Gebrauch muss am Empfänger die Type-C-Funktion eingestellt werden. Weitere Informationen findest du im Abschnitt „Menü“.

7. HDMI-Anschluss (Typ A)

Ausgabe des Videosignals.

8. Gleichstromanschluss

Versorgt den Videoempfänger über das mitgelieferte Netzkabel mit Strom. Spannung 6–18 V und max. Stromstärke 2 A.

9. M4 Gewindebohrungen

Zur Befestigung des Akkuadapters oder anderer Adapter zur Erweiterung.

10. Stromausgangsanschluss

Versorgt ein externes Gerät mit Strom.

11. Lüftungsschlitze

12. Lufteinlass



• Verdecke NICHT den Lüftungsschlitz, den Lufteinlass oder beide Seiten des Akkuadapters, wenn dieser befestigt ist. Andernfalls kann die Leistung des Geräts aufgrund von Überhitzung beeinträchtigt werden.

13. Netztaaste

Drücke einmal auf die Netztaaste, um einzuschalten. Drücke auf die Netztaaste und halte sie gedrückt, um auszuschalten.

14. Anzeigebildschirm

Zeigt den Gerätestatus und das Menü an.

15. Menü-Rädchen

Drehe oder drücke das Rädchen, um Einstellungen im Menü auszuwählen oder zu bestätigen. Siehe die Details unten.

Einmal drücken: rufe das Menü über den Startbildschirm auf oder bestätige die Einstellungen im Menü.

Drehen: wechsele zwischen den Optionen.

Drücken und halten: gib den Verknüpfungsstatus ein (Steuerungsmodus) oder suche nach Geräten (Übertragungsmodus).

Zweimal drücken: wähle auf dem Startbildschirm den Kanal (Steuerungsmodus) oder die Gerätenummer (Übertragungsmodus) aus.

16. Zurücktaste

Drücken, um zum vorherigen Bildschirm des Menüs zurückzukehren.

17. 3/8"-16 Gewindebohrung

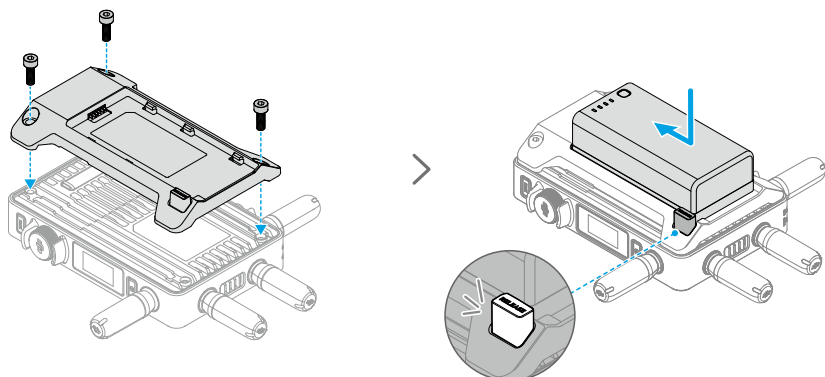
18. 1/4"-20-Gewindebohrungen

19. Externer Stromeingangsanschluss

Schließe den Akkuadapter und einen kompatiblen Akku an, um den Videoempfänger mit Strom zu versorgen.

Montage und Anschluss

Einsetzen der WB37 Intelligent Battery



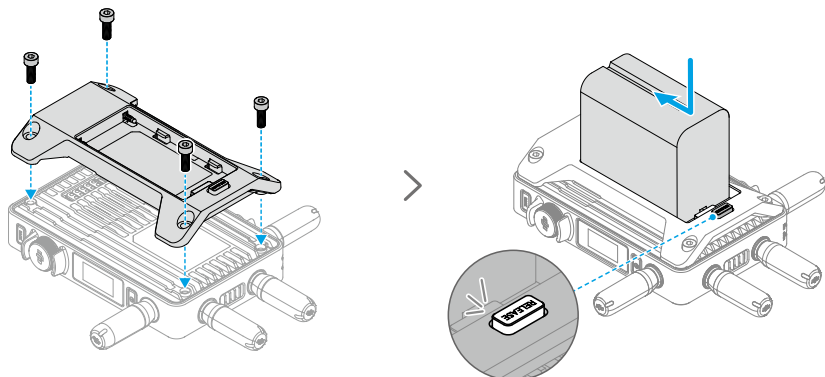
Aktiviere vor dem ersten Gebrauch den WB37-Akku, indem du ihn mit der WB37 Akkuladestation (USB-C) auflädst. Mehr Informationen dazu findest du im Handbuch für die WB37 Akkuladestation (USB-C).

1. Befestige den WB37 Akkuadapter an der Rückseite des Videoempfängers und zieh die drei M4×12 Schrauben an.
2. Setze den WB37 Akku in das Akkufach des Videoempfängers ein. Stell sicher, dass die Akkuerriegelung herauspringt und der Akku einrastet.

⚠ • Stell sicher, dass der WB37 Akku innerhalb der angegebenen Betriebstemperatur verwendet wird. Den Akku NICHT zerlegen oder auf irgendeine Weise durchbohren. Andernfalls kann der Akku auslaufen, in Brand geraten oder explodieren. Weitere Informationen findest du in den Sicherheitsrichtlinien für die WB37 Intelligent Battery.

Halte die Entriegelungstaste gedrückt und schiebe den Akku in die entgegengesetzte Richtung, um ihn zu entnehmen.

Anbringen eines Akkus der NP-F Serie

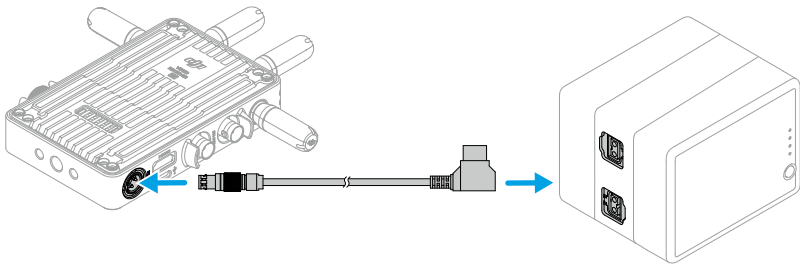


1. Befestige den NP-F Akkuadapter an der Rückseite des Videoempfängers und zieh die vier M4×12 Schrauben an.
2. Setze den Akku der NP-F Serie in das Akkufach des Videoempfängers ein. Stell sicher, dass die Akkuentriegelung herausspringt und der Akku einrastet.

Halte die Entriegelungstaste gedrückt und schiebe den Akku in die entgegengesetzte Richtung, um ihn zu entnehmen.

Verbindung des Gleichstrom-an-P-Tap-Netzkabels

Für die Stromversorgung des Videoempfängers kann ein Akku mit einem P-Tap-Anschluss verwendet werden. Verbinde den P-Tap-Anschluss des Akkus und den Gleichstrom-Eingang des Videoempfängers mit dem Gleichstrom-zu-P-Tap-Netzkabel.



Aktivierung

Die Aktivierung ist erforderlich, wenn du den Videoempfänger zum ersten Mal benutzt. Schalte den Videoempfänger ein und verbinde ihn über ein USB-C-Kabel mit einem Computer. Starte DJI Assistant 2 (Ronin Serie), klicke auf das entsprechende Gerätesymbol und befolge die Anweisungen auf dem Bildschirm, um das Gerät zu aktivieren.

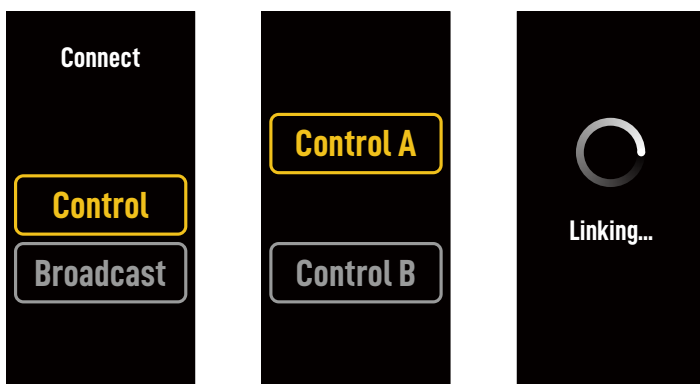
Lade die Software hier herunter: <https://www.dji.com/transmission/downloads>

Kopplung

Der Videoempfänger muss vor der Verwendung mit dem Sendegerät gekoppelt werden. Das Videoübertragungssystem des Videoempfängers bietet für die Verbindung von Videoempfänger und Sendegerät einen Steuerungsmodus und einen Übertragungsmodus, die unterschiedliche Kopplungsmethoden verwenden. Im folgenden Abschnitt findest du Anleitungen und Beschreibungen der Kopplungsstatusanzeigen.

Steuerungsmodus

Im Steuerungsmodus (wenn der Übertragungsmodus am Sendegerät deaktiviert ist) hat das Videoübertragungssystem eine größere Übertragungsreichweite, eine stärkere Anti-Interferenz und mehr wählbare Kanäle. Das Sendegerät kann auch das Steuersignal vom Videoempfänger empfangen, wenn DJI Pro-Zubehör angeschlossen ist, etwa das DJI Master Wheels am Videoempfänger als Fernsteuerung.



1. Schalte den Videoempfänger ein. Drücke auf das Menü-Rädchen auf dem Videoempfänger, um das Menü aufzurufen.
2. Drücke auf das Rädchen, um das Verbindungsmenü aufzurufen, stelle am Rädchen die Menüoption Steuerung ein und drücke zur Bestätigung auf das Rädchen. Stelle den Videoempfänger auf Steuerung A oder Steuerung B, und drücke zur Bestätigung erneut auf das Rädchen. Auf dem Bildschirm wird Kopplung angezeigt, und die Kopplungsstatusanzeige blinkt abwechselnd rot und grün, um anzuzeigen, dass das Gerät eine Verbindung herstellt.

- Ist der Videoempfänger im Steuerungsmodus und wurde auf die gewünschte Steuerung A oder Steuerung B gestellt, dann drücke direkt auf das Menü-Rädchen und halte es gedrückt, um die Kopplung aufzurufen.
- Sollen zwei Videoempfänger an das gleiche Empfangsgerät angeschlossen werden, dann stelle zuerst die Verbindung mit dem Steuerung-A-Videoempfänger und dann die mit dem Steuerung-B-Videoempfänger her.

3. Verwendung des DJI Videosenders:

Schalte den DJI-Videosender ein. Halte das Menü-Rädchen am Videosender gedrückt, um in

den Kopplungsstatus zu wechseln. Die Kopplungsstatusanzeige auf dem Videosender blinkt abwechselnd rot und grün. Damit wird angezeigt, dass das Gerät gekoppelt wird.

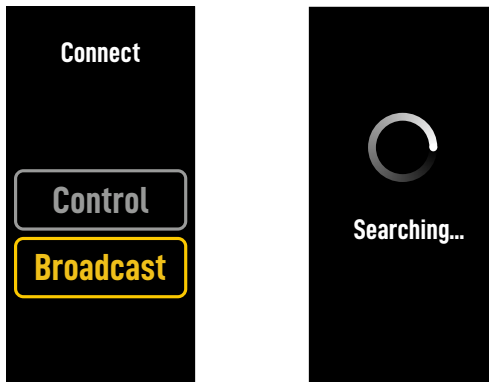
Verwendung des DJI Ronin 4D Videosenders:

Drücke auf die Kopplungstaste am Ronin 4D-Videosender und halte sie gedrückt, um die Kopplung zu starten, oder rufe das Menü auf dem sehr hellen Ronin 4D-Hauptmonitor auf, tippe „Transmission“ (Übertragung) und dann „Link Device“ (Gerät koppeln) an. Die Kopplungsstatusanzeige auf dem Videosender blinkt abwechselnd rot und grün. Damit wird angezeigt, dass das Gerät gekoppelt wird.

4. Ist der Kopplungsprozess abgeschlossen, leuchtet die Kopplungsstatusanzeige am Videoempfänger durchgehend grün, und der Videoempfänger kann mit dem Sendegerät kommunizieren.

Übertragungsmodus

Im Übertragungsmodus kann eine unbegrenzte Anzahl von als Kontrollgeräten genutzten Videoempfängern mit dem Sendegerät verbunden werden. In Szenarien mit mehreren Sendegeräten können Videoempfänger im Übertragungsmodus schnell das gewünschte Sendegerät auswählen und so eine mehrkanalige Überwachung erhalten.



1. Schalte den Videoempfänger ein. Drücke auf das Menü-Rädchen auf dem Videoempfänger, um das Menü aufzurufen.
2. Drücke auf das Rädchen, um das Menü Verbinden anzuzeigen, drehe das Rädchen, um im Menü Übertragung auszuwählen, und drücke dann zur Bestätigung auf das Rädchen.
3. Warte, bis die Suchergebnisse vollständig sind, und wähle ein Gerät aus, das verbunden werden soll.

💡 • Halte im Übertragungsmodus das Rädchen gedrückt, um die Suchergebnisse zu aktualisieren.

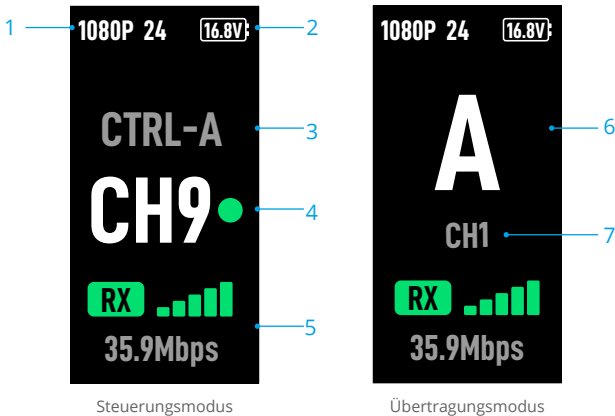
Kopplungsstatusanzeige

Kopplungsstatusanzeige	Beschreibung
Leuchtet kontinuierlich rot	Gerät gestartet, nicht verbunden.
Blinkt abwechselnd rot und grün	Wird gekoppelt.
Leuchtet kontinuierlich grün	Erfolgreiche Kopplung im Steuerungsmodus. Die kabellose Videoübertragung ist normal. Übertragungsmodus aktiviert.
Blinkt rot	Fehlfunktion des Geräts. Kontaktiere den DJI Support.

DE

Bedienungen des Anzeigebildschirms

Startbildschirm



1. Videospezifikationen

Zeigt die Auflösung und Bildrate des Eingangs vom Sendegerät an.

2. Stromversorgungsspannung

Zeigt die Spannung des Akkus oder des DC-Eingangs an.

3. Steuergerät

Zeigt im Steuerungsmodus an, ob der Videoempfänger auf Control A oder Control B gestellt ist.

4. Kanal (Steuerungsmodus)

Zeigt den aktuell verwendeten Kanal und dessen Signalqualität an. Es gibt zwei Status: stark (grün) und schwach (rot). Drücke zweimal auf das Menü-Rädchen, um den Kanal schnell zu wechseln.

5. Videoübertragungssignalstärke und Bitrate

Zeigt Videoübertragungssignalstärke und Bitrate an. Es gibt drei Status für die

Videoübertragungssignalstärke: stark (grün), mittel (orange) und schwach (rot).

6. Gerätenummer



Zeigt im Übertragungsmodus die Gerätenummer des Sendegeräts an. Drücke zweimal auf das Menü-Rädchen, um die zuletzt aufgezeichneten Suchergebnisse im Übertragungsmodus anzuzeigen, und schalte dann zwischen den Geräten um oder aktualisiere die Suchergebnisse.

7. Kanal (Übertragungsmodus)

Zeigt den verwendeten Kanal an. Zeige die Signalqualität jedes Kanals im Menü an.

Menü

Drücke im Startbildschirm auf das Menü-Rädchen auf dem Videoempfänger, um das Menü aufzurufen, und führe die folgenden Konfigurationen und Vorgänge durch. Drehe oder drücke das Rädchen, um Einstellungen im Menü auszuwählen oder zu bestätigen. Drücke die Zurücktaste, um zum vorherigen Bildschirm zurückzukehren.

Verbinden	Wähle den Steuerungsmodus oder den Übertragungsmodus aus. Ist der Steuerungsmodus ausgewählt, dann muss das verwendete Gerät auf Control A oder Control B gestellt sein.
Kanal	Zeige im Steuerungsmodus die Signalqualität jedes Kanals an und wähle den Kanal aus. Zeige im Übertragungsmodus die Signalqualität jedes Kanals nur zur Unterstützung der Kanalauswahl an.
Gerätenummer	Dieses Menü erscheint nur im Übertragungsmodus. Die letzten Suchergebnisse im Übertragungsmodus werden nach Aufruf des Menüs angezeigt. Schalte zwischen den Geräten um oder aktualisiere die Suchergebnisse.
Lüftermodus	Stelle den Lüftermodus auf Standard oder Leise.  Ist Leise gewählt, dann schaltet der Lüftermodus automatisch auf Standard, wenn die Temperatur des Geräts zu hoch ist.
Type-C-Funktion	Wähle USB aus, wenn du den USB-C-Anschluss für die Firmware-Aktualisierung in DJI Assistant 2 verwendest. Stelle im Steuerungsmodus die Type-C-Funktion bei Sender und Empfänger auf Voice Call und verbinde einen Kopfhörer mit eingebautem Mikrofon mit den USB-C-Anschlüssen, um Sprachanrufe zwischen Sender und Empfänger zu ermöglichen. Stelle die Lautstärke für Sprachanrufe über die Lautstärketasten am Kopfhörer ein.  Zeige auf der FAQ-Seite der Produktseite auf der offiziellen DJI-Website an, welche Kopfhörer kompatibel sind. Andere digitale 48kHz-/16bit-Kopfhörer werden ebenfalls unterstützt.
Geringe Latenz	Ist diese Option aktiviert, dann wird die Bildrate in 60 Bilder pro Sekunde umgewandelt.
Sprache	Wähle die Systemsprache aus.
Geräteinformationen	Zeige Informationen wie die Geräte-SN und die Firmware-Version an.

Anhang

Firmware-Aktualisierung

Aktualisiere den Videoempfänger mit der Software DJI Assistant 2 (für Ronin).

1. Schalte das Gerät ein. Stelle sicher, dass die Type-C-Funktion im Menü auf USB gestellt ist. Schließe das Gerät über ein USB-C-Kabel an einen Computer an.
2. Starte DJI Assistant 2 (für Ronin) und melde dich mit einem DJI-Konto an.
3. Wähle das Gerät aus und klicke auf der linken Seite auf Firmware-Aktualisierung.
4. Wähle die Firmware-Version.
5. Die Firmware wird automatisch heruntergeladen und aktualisiert.
6. Das Gerät wird nach der Firmware-Aktualisierung automatisch neu gestartet.

Technische Daten

Gewicht	Ungefähr 350 g (nur Empfänger, ohne Antennen)
Abmessungen	127 × 87 × 26 mm (ohne Antennen)
Betriebsfrequenz ^[1]	2,4 bis 2,4835 GHz, 5,15 bis 5,25 GHz, 5,25 bis 5,35 GHz, 5,470 bis 5,725 GHz, 5,725 bis 5,85 GHz
Strahlungsleistung (EIRP)	2,4 GHz: <33 dBm (FCC), <20 dBm (SRRC/CE/MIC) 5,8 GHz: <33 dBm (FCC), <14 dBm (CE), <23 dBm (SRRC)
Stromverbrauch	9 W
Stromversorgungsspannung	6–18 V
Ausgangsspannung	6–18 V
Akkulaufzeit ^[2]	3 Stunden 50 Minuten
Video-Ausgangsformat	• Bei Verwendung mit dem DJI Videosender: 1080p: 23,98/24/25/29,97/30/50/59,94/60 fps 720p: 50/59,94/60 fps • Bei Verwendung mit der Ronin 4D: 1080p: 24/25/30/50/60 fps
Audio-Ausgangsformat	SDI integriert, HDMI integriert
Videoübertragungssystem	O3 Pro
Max. Bitrate	40 MBit/s
Latenz	70 ms (1080p 60 fps)
Videocodec	H.264
Max. Übertragungsreichweite	6 km (FCC), 4 km (CE/SRRC/MIC) (ohne Hindernisse und Interferenzen)
Max. Bandbreite	40 MHz
Betriebstemperatur ^[3]	-10 °C bis 45 °C

[1] Aufgrund lokaler Vorschriften ist die Nutzung der Frequenzen von 5,1/5,2/5,8 GHz in einigen Ländern verboten und die Frequenzen von 5,1/5,2 GHz sind in einigen Ländern nur zur Verwendung in

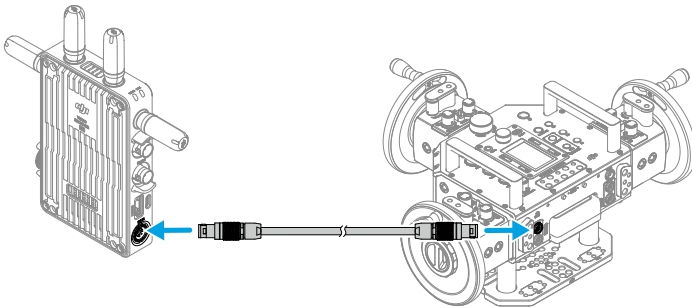
Innenräumen erlaubt. 5,6 bis 5,65 GHz wird nicht verwendet.

- [2] Getestet bei einer Raumtemperatur von 25 °C, einer vollständig aufgeladenen WB37 Intelligent Battery und unter Verwendung mit dem DJI Videosender.
- [3] Bei Verwendung der WB37 Intelligent Battery wird empfohlen, das Gerät bei Temperaturen über 0 °C zu betreiben. Bei Temperaturen unter 0 °C müssen Maßnahmen ergriffen werden, um den Akku warm zu halten.

Verwendung anderer Steuergeräte

Verbinde die DJI Master Wheels mit dem Videoempfänger, um das Sendegerät fernzusteuern.

Verbindung: verbinde mithilfe des Steuerkabels des sehr hellen DJI Funkmonitors den DC-OUT-Anschluss von DJI Master Wheels mit dem DC-IN-Anschluss des Videoempfängers.



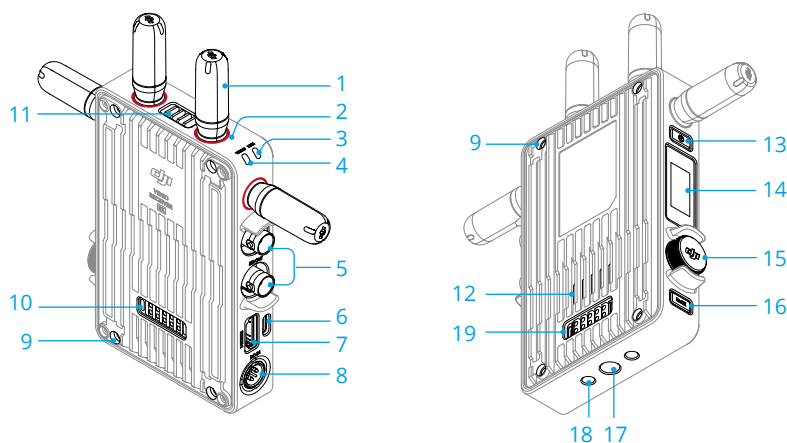
Renuncia de responsabilidad y advertencia

Antes de usar el producto, lea atentamente este documento al completo y todas las prácticas de seguridad y legales proporcionadas.

Introducción

El receptor de vídeo DJI™ cuenta con la tecnología de transmisión de vídeo DJI O3 Pro y recibe señales de vídeo del transmisor. En un entorno sin interferencias ni obstáculos, el receptor de vídeo proporciona transmisión de vídeo con un alcance máximo de transmisión de 6 km*, una tasa de bits de hasta 40 Mb/s y una latencia mínima de extremo a extremo de 70 ms. Es compatible con varias bandas de frecuencia en los modos Control y Emisión y emite múltiples señales de vídeo simultáneamente destinadas a dispositivos de visualización para realizar tareas de monitorización a distancia. Cuando se usa con el transmisor de vídeo DJI o el transmisor de vídeo DJI Ronin 4D, el receptor de vídeo puede cumplir los requisitos de grabación de formatos como películas, series de televisión, publicidad y documentales.

* Medido con el sistema de transmisión de vídeo en el modo Control (con el modo Emisión desactivado en el dispositivo transmisor), en un entorno sin obstáculos ni interferencias, de acuerdo con la normativa de la FCC.



1. Antenas extraíbles

Transmiten la señal inalámbrica.

2. Marcas de color

Sirven para identificar al receptor y al transmisor. El receptor se identifica mediante las marcas de color rojo. Los usuarios pueden colocar en los dispositivos las pegatinas de distintos colores incluidas en el paquete para identificarlos.

3. Indicador de estado de vinculación

Muestra el estado de conexión entre el receptor y el transmisor. Para obtener más información sobre los patrones de parpadeo, consulte la sección Vinculación.

4. Indicador de estado del vídeo

Indica si se transmite señal de vídeo desde el transmisor al receptor. El verde fijo indica que hay transmisión señal de vídeo, mientras que el rojo fijo indica que no la hay.

5. Puertos de salida SDI

Permiten la salida de la señal de vídeo.

6. Puerto USB-C

Conéctelo al software DJI Assistant 2 (serie Ronin) con un cable USB-C para activar el dispositivo y actualizar el firmware. Conéctelo a auriculares con micrófono integrado para realizar llamadas de voz. Es necesario establecer la Función de tipo C en el receptor antes de usarlo. Consulte la sección Menú para obtener más información.

7. Puerto HDMI (tipo A)

Permite la salida de la señal de vídeo.

8. Puerto de entrada de CC

Suministra energía al receptor de vídeo a través del cable de alimentación provisto. Voltaje de 6-18 V y corriente máxima de 2 A.

9. Orificios de tornillo M4


Permiten montar el adaptador de batería u otros adaptadores con fines de expansión.

10. Puerto de salida de energía

Suministra energía a un dispositivo externo.

11. Salida de aire

12. Entrada de aire

 • Si el adaptador está colocado, NO cubra la salida o entrada de aire ni ninguno de los lados del adaptador. De lo contrario, el sobrecalentamiento podría afectar al rendimiento del dispositivo.

13. Botón de encendido

Púlselo una vez para encender el dispositivo y manténgalo pulsado para apagarlo.

14. Pantalla de visualización

Muestra el estado y el menú del dispositivo.

15. Dial del menú

Gire o pulse el dial para seleccionar o confirmar ajustes en el menú. Consulte los detalles a continuación.

Pulsar una vez: accede al menú desde la pantalla de inicio o confirma la configuración establecida en el menú.

Girar: permite cambiar de una opción a otra.

Mantener pulsado: accede al estado de vinculación (modo Control) o busca dispositivos (modo Emisión).

Pulsar dos veces: en la pantalla de inicio, selecciona el canal (modo Control) o el número de dispositivo (modo Emisión).

16. Botón de retroceso

Púselo para volver a la pantalla anterior del menú.

17. Orificio de tornillo de 3/8"-16

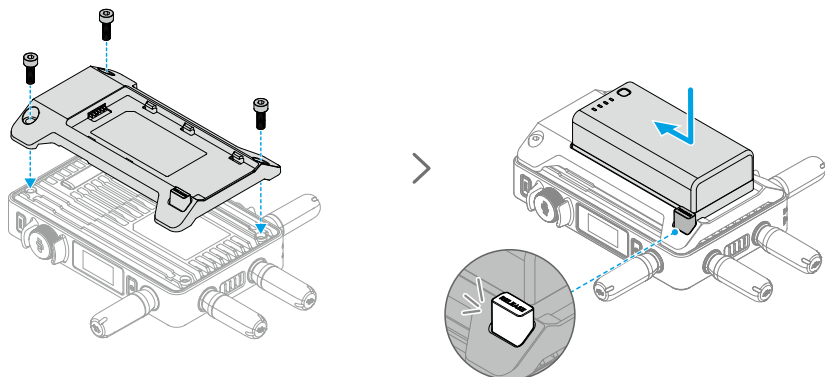
18. Orificios de tornillo de 1/4"-20

19. Puerto de entrada de alimentación externa

Permite montar el adaptador de batería y la batería compatible para suministrar alimentación al receptor de vídeo.

Instalación y conexión

Montaje de la batería inteligente WB37



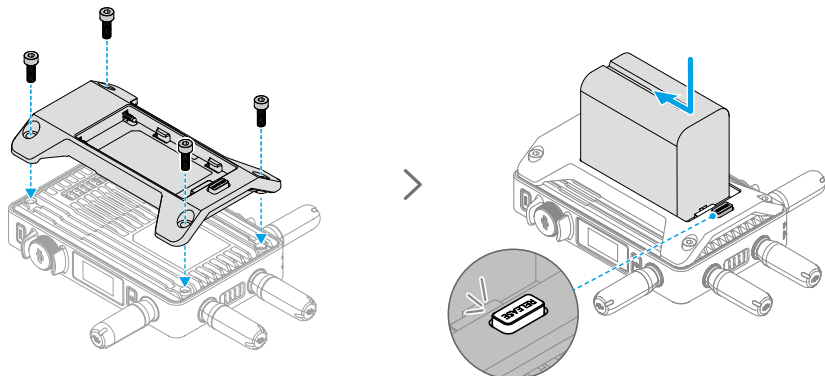
Antes del primer uso, active la batería WB37 cargándola con el centro de carga de baterías WB37 (USB-C). Consulte la guía de usuario del centro de carga de baterías WB37 (USB-C) para obtener más información.

1. Monte el adaptador de baterías WB37 en la parte trasera del receptor de vídeo y apriete los tres tornillos M4×12.
2. Inserte la batería WB37 en el compartimento de la batería del receptor de vídeo. Asegúrese de que el botón de liberación de batería salte hacia fuera y que la batería encaje en su sitio con un clic.

⚠ • Asegúrese de usar la batería WB37 dentro de su rango de temperatura de funcionamiento. NO desmonte ni perfore la batería de ninguna manera. De lo contrario, la batería podría presentar fugas, incendiarse o explotar. Consulte las directrices de seguridad de la batería inteligente WB37 para obtener más información.

Mantenga pulsado el botón de liberación y presione la batería en la dirección contraria para retirarla.

Montaje de la batería de serie NP-F

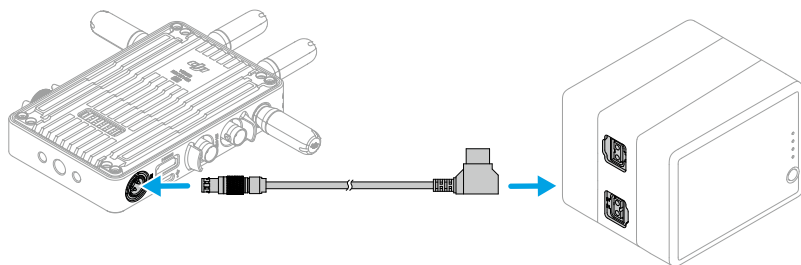


1. Monte el adaptador de baterías NP-F en la parte trasera del receptor de vídeo y apriete los cuatro tornillos M4×12.
2. Inserte la batería de la serie NP-F en el compartimento de la batería del receptor de vídeo. Asegúrese de que el botón de liberación de batería salte hacia fuera y que la batería encaje en su sitio con un clic.

Mantenga pulsado el botón de liberación y presione la batería en la dirección contraria para retirarla.

Conexión del cable de alimentación CC a P-Tap

Se puede usar una batería que tenga un puerto P-Tap para suministrar alimentación al receptor de vídeo. Use el cable de alimentación CC a P-Tap provisto para conectar el puerto P-Tap de la batería y el puerto de entrada de CC (DC-IN) del receptor de vídeo.



Activación

Es necesario activar el receptor de vídeo cuando lo vaya a usar por primera vez. Encienda el receptor de vídeo y conéctelo a un ordenador con un cable USB-C. Inicie DJI Assistant 2 (serie Ronin), haga clic en el icono de dispositivo correspondiente y siga las instrucciones de la pantalla para activar el dispositivo.

Descargue el software desde <https://www.dji.com/transmission/downloads>

Vinculación

El receptor de vídeo debe vincularse al dispositivo transmisor antes de usarse. El sistema de transmisión de vídeo del receptor de vídeo cuenta con el modo Control y el modo Emisión, que permiten conectar el receptor con el dispositivo transmisor, que usan distintos métodos de vinculación. Consulte instrucciones y descripciones de los indicadores de estado de vinculación en la siguiente sección.

Modo Control

En el modo Control (con el modo Emisión desactivado en el dispositivo transmisor), el sistema de transmisión de vídeo tiene un alcance de transmisión más largo, una capacidad antiinterferencias más sólida y permite seleccionar más canales. El dispositivo transmisor también puede recibir la señal de control desde el receptor de vídeo al conectar un accesorio DJI Pro, como DJI Master Wheels, al receptor de vídeo para controlarlo a distancia.



1. Encienda el receptor de vídeo. Pulse el dial del menú del receptor de vídeo para acceder al menú.
2. Pulse el dial para acceder al menú Conectar, gírelo para seleccionar Control en el menú y púlselo para confirmarlo. Establezca el receptor de vídeo como Control A o Control B y pulse el dial de nuevo para confirmarlo. La pantalla de visualización muestra Vinculando y el indicador de estado de vinculación parpadea en rojo y verde de forma alterna, lo que indica que el dispositivo se está vinculando.

-
- Si el receptor de vídeo está en el modo Control y se establece en Control A o Control B, mantenga pulsado directamente el dial del menú para acceder a la vinculación.
 - Si se van a vincular dos receptores de vídeo con el mismo dispositivo transmisor, vincule primero el receptor de vídeo definido como Control A y, a continuación, vincule el definido como Control B.
-

3. A través del transmisor de vídeo DJI:

Encienda el transmisor de vídeo DJI. Mantenga pulsado el dial del menú del transmisor de vídeo para acceder al estado de vinculación. El indicador de estado de vinculación

del transmisor de vídeo parpadea en rojo y verde de forma alterna para señalar que el dispositivo se está vinculando.

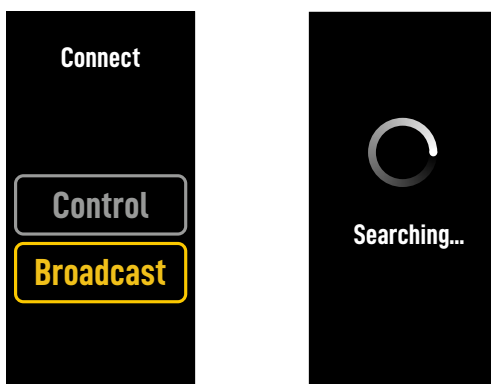
A través del transmisor de vídeo DJI Ronin 4D:

Para empezar la vinculación, mantenga pulsado el botón de enlace del transmisor de vídeo Ronin 4D, o bien vaya al menú del monitor principal de alto brillo Ronin 4D y pulse Transmisión y, a continuación, Vincular dispositivo. El indicador de estado de vinculación del transmisor de vídeo parpadea en rojo y verde de forma alterna para señalar que el dispositivo se está vinculando.


4. Cuando la vinculación haya finalizado, el indicador de estado de vinculación del receptor de vídeo se iluminará en verde fijo y el transmisor de vídeo podrá comunicarse con el dispositivo transmisor.

Modo Emisión

En el modo Emisión, se puede conectar un número ilimitado de receptores de vídeo con el dispositivo transmisor como dispositivos de monitorización. Si se usan varios dispositivos transmisores, los receptores de vídeo que estén en el modo Emisión pueden seleccionar rápidamente el transmisor deseado para posibilitar una monitorización a través de varios canales.



1. Encienda el receptor de vídeo. Pulse el dial del menú del receptor de vídeo para acceder al menú.
2. Pulse el dial para acceder al menú Conectar, gire el dial para seleccionar Emisión en el menú y, a continuación, pulse el dial para confirmar la selección.
3. Espere a que los resultados de búsqueda estén disponibles y seleccione un dispositivo con el que conectarse.

 • En el modo Emisión, mantenga pulsado el dial para actualizar los resultados de búsqueda.

Indicador de estado de vinculación

Indicador de estado de vinculación	Descripción
Rojo fijo	Dispositivo encendido, no conectado.
Parpadea en rojo y verde alternativamente	Vinculando.
Verde fijo	Vinculado correctamente en modo Control. La transmisión inalámbrica de vídeo es normal. Modo Emisión activado.
Parpadea en rojo	Error de funcionamiento del dispositivo. Contacte con Asistencia Técnica de DJI.



Operaciones en la pantalla de visualización

Pantalla de inicio



1. Especificaciones de vídeo

Muestra la resolución y la tasa de fotogramas de la entrada provenientes del dispositivo transmisor.

2. Voltaje de alimentación

Muestra el voltaje de la batería o de la entrada de alimentación de CC.

3. Dispositivo de control

En el modo Control, muestra si el receptor de vídeo está establecido como Control A o Control B.

4. Canal (modo Control)

Muestra el canal actual que se está usando y la calidad de su señal. Hay dos estados: intensa (verde) o débil (rojo). Pulse dos veces el dial del menú para cambiar rápidamente de canal.

5. Tasa de bits e intensidad de la señal de transmisión de vídeo

Muestra la tasa de bits y la intensidad de la señal correspondientes a la transmisión de vídeo. La intensidad de la señal de la transmisión de vídeo tiene tres estados: intensa (verde), moderada (naranja) o débil (rojo).

6. Número de dispositivo

En el modo Emisión, muestra el número de dispositivo del dispositivo transmisor. Pulse dos veces el dial del menú para visualizar los resultados de búsqueda registrados por última vez en el modo Emisión y, a continuación, cambie de dispositivo o actualice los resultados de búsqueda.

7. Canal (modo Emisión)

Muestra el canal que se está usando. Puede consultar la calidad de la señal de cada uno de los canales en el menú.

Menú

En la pantalla de inicio, pulse el dial del menú del receptor de vídeo para acceder al menú y realizar las siguientes configuraciones y operaciones. Gire o pulse el dial para seleccionar o confirmar ajustes en el menú. Pulse el botón de retroceso para regresar a la pantalla anterior.

Conectar	Seleccione el modo Control o el modo Emisión. Si se selecciona el modo Control, el dispositivo que se usa se debe establecer como Control A o Control B.
Canal	<p>En el modo Control, visualice la calidad de la señal de cada uno de los canales y seleccione el canal que le interese.</p> <p>En el modo Emisión, visualice la calidad de la señal de cada uno de los canales solamente para ayudar a seleccionar el canal pertinente en el dispositivo transmisor.</p>
Número de dispositivo	Este menú solo aparecerá en el modo Emisión. Tras acceder al menú, se mostrarán los últimos resultados de búsqueda registrados en el modo Emisión. Cambie de dispositivo o actualice los resultados de búsqueda.
Modo de ventilador	<p>Establezca el modo del ventilador en Estándar o Reducción de ruido.</p> <p>💡: Si se selecciona Reducción de ruido, el modo del ventilador pasará a Estándar automáticamente cuando la temperatura del dispositivo sea demasiado alta.</p>
Función de tipo C	<p>Seleccione USB cuando use el puerto USB-C para la actualización del firmware en DJI Assistant 2.</p> <p>En el modo Control, establezca Función de tipo C en Llamada de voz en el transmisor y en el receptor y conecte unos auriculares con micrófono integrado a los puertos USB-C para permitir que se realicen llamadas de voz entre el transmisor y el receptor. Use los botones de volumen de los auriculares para ajustar el volumen de las llamadas de voz.</p> <p>💡: Consulte qué auriculares son compatibles en la sección de Preguntas frecuentes de la página de producto en el sitio web oficial de DJI. También son compatibles otros auriculares digitales de 48 kHz/16 bits.</p>
Baja latencia	Si está activada, la tasa de fotogramas se convierte a 60 fps.
Idioma	Seleccione el idioma del sistema en la lista de idiomas.
Información del dispositivo	Visualice datos como el número de serie o la versión del firmware del dispositivo.

Apéndice

Actualización del firmware

Actualice el receptor de vídeo con el software DJI Assistant 2 (serie Ronin).

1. Encienda el dispositivo. Asegúrese de que Función de tipo C esté establecida en USB en el menú. Conecte el dispositivo a un ordenador con un cable USB-C.
2. Abra DJI Assistant 2 (serie Ronin) e inicie sesión con una cuenta DJI.
3. Seleccione el dispositivo y haga clic en Actualización del firmware, en la parte izquierda de la pantalla.
4. Seleccione la versión del firmware.
5. El firmware se descargará y se actualizará automáticamente.
6. El dispositivo se reiniciará automáticamente cuando finalice la actualización del firmware.

Especificaciones

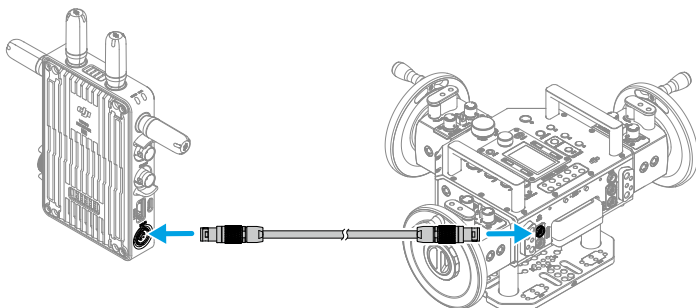
Peso	Aprox. 350 g (solo el receptor, sin antenas)
Dimensiones	127 × 87 × 26 mm (sin antenas)
Frecuencia de funcionamiento ^[1]	2.4000-2.4835 GHz, 5.150-5.250 GHz, 5.250-5.350 GHz, 5.470-5.725 GHz 5.725-5.850 GHz
Potencia del transmisor (PIRE)	2.4 GHz: <33 dBm (FCC), <20 dBm (SRRRC/CE/MIC) 5.8 GHz: <33 dBm (FCC), <14 dBm (CE), <23 dBm (SRRRC)
Consumo de energía	9 W
Voltaje de alimentación	6-18 V
Voltaje de salida	6-18 V
Vida de la batería ^[2]	3 horas y 50 minutos
Formato de salida de vídeo	<ul style="list-style-type: none">• Cuando se usa con el transmisor de vídeo DJI: 1080p: 23.98/24/25/29.97/30/50/59.94/60 fps 720p: 50/59.94/60 fps• Cuando se usa con el Ronin 4D: 1080p: 24/25/30/50/60 fps
Formato de salida de audio	SDI integrado, HDMI integrado
Sistema de transmisión de vídeo	O3 Pro
Tasa máx. de bits	40 Mbps
Latencia	70 ms (1080p a 60 fps)
Formato de codificación de vídeo	H.264
Alcance de transmisión	6 km (FCC), 4 km (CE/SRRRC/MIC) (sin obstáculos ni interferencias)
Ancho de banda máx.	40 MHz
Temperatura de funcionamiento ^[3]	De -10 a 45 °C (de 14 a 113 °F)

- [1] Debido a normativas locales, las frecuencias de 5.1/5.2/5.8 GHz están prohibidas en algunos países y las frecuencias de 5.1/5.2 GHz solo están permitidas para uso en interiores en algunos países. 5.600-5.650 GHz no se usa.
- [2] Probado a una temperatura ambiente de 25 °C (77 °F), con alimentación suministrada a través de una batería inteligente WB37 a plena carga y usado con el transmisor de vídeo DJI.
- [3] Al usar la batería inteligente WB37, se recomienda usar el dispositivo a una temperatura superior a 0 °C. Tome medidas para mantener la batería caliente al usarla a una temperatura inferior a 0 °C.

Uso de otros dispositivos de control

Conecte DJI Master Wheels al receptor de vídeo para controlar a distancia el dispositivo transmisor.

Conexión: conecte el puerto de salida de CC (DC-OUT) de DJI Master Wheels al puerto de entrada de CC (DC-IN) del receptor de vídeo usando el cable de control del monitor remoto de alto brillo DJI.



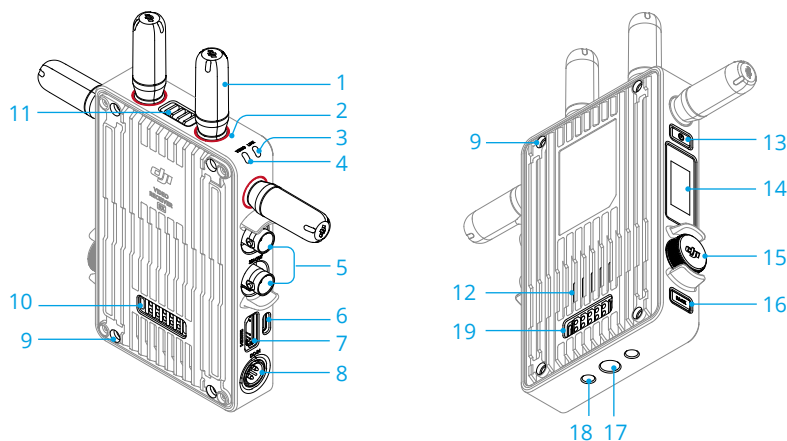
Clause exclusive de responsabilité et mise en garde

Veillez lire attentivement ce document dans son intégralité, ainsi que toutes les pratiques sécuritaires et légales avant l'utilisation.

Introduction

Le récepteur vidéo DJI™ bénéficie de la transmission vidéo DJI O3 Pro et reçoit les signaux vidéo de l'émetteur. Dans un environnement sans interférence ni entrave, le récepteur vidéo fournit une transmission vidéo avec une portée de transmission max. de 6 km*, un débit binaire allant jusqu'à 40 Mb/s et une latence de bout en bout minimale de 70 ms. Il prend en charge plusieurs bandes de fréquences en modes Contrôle et Diffusion et émet simultanément des signaux vidéo multiples pour les appareils d'affichage, pour une surveillance à distance. Lorsque vous utilisez l'émetteur vidéo DJI, ou DJI Ronin 4D, le récepteur vidéo peut répondre aux exigences de tournage en matière de supports tels que les films, séries télévisées, publicités et documentaires.

* Mesurée avec le système de contrôle de transmission vidéo fonctionnant en mode Contrôle (mode Diffusion désactivé dans l'appareil émetteur) dans un environnement non obstrué, sans interférence conformément à la norme FCC.



1. Antennes détachables

Transmettent le signal sans fil.

2. Repères de couleur

Utilisés pour identifier le récepteur et l'émetteur. Le récepteur est identifié par les repères de couleur rouge. Les utilisateurs peuvent également placer les stickers de différentes couleurs inclus dans l'emballage sur les appareils pour les identifier.

3. Voyant d'état de l'appairage

Indique le statut de connexion entre le récepteur et l'émetteur. Reportez-vous à la section Appairage pour plus d'informations sur les différents clignotements.

4. Voyant de statut vidéo

Indique si un signal vidéo est transmis de l'émetteur au récepteur. Le vert fixe indique la présence d'une transmission de signal vidéo, tandis que le rouge fixe en indique l'absence.

5. Ports de sortie SDI

Permettent la sortie du signal vidéo.

6. Port USB-C

Connectez-vous au logiciel DJI Assistant 2 (gamme Ronin) à l'aide d'un câble USB-C pour l'activation de l'appareil et les mises à jour du firmware. Connectez des écouteurs avec un micro intégré pour les appels vocaux. Il est nécessaire de paramétrer la fonction Type-C sur le récepteur avant de l'utiliser. Pour plus d'informations, reportez-vous à la section Menu.

7. Port HDMI (Type A)

Permet la sortie du signal vidéo.

8. Port DC-IN

Alimente le récepteur vidéo à l'aide du câble d'alimentation fourni. Tension de 6 à 18 V et courant maximal de 2 A.

9. Trous de vis M4


Permettent de monter l'adaptateur de batterie ou d'autres adaptateurs pour l'extension.

10. Port de sortie d'alimentation

Alimente un appareil externe en énergie.

11. Ventilation

12. Entrée d'air

 • NE couvrez PAS la ventilation, l'entrée d'air ou les faces latérales de l'adaptateur de batterie s'il est monté. Sinon, les performances de l'appareil pourraient être affectées par une surchauffe.

13. Bouton d'alimentation

Appuyez une fois pour mettre sous tension. Appuyez et maintenez enfoncé pour mettre hors tension.

14. Écran d'affichage

Affiche le statut de l'appareil et le menu.

15. Molette de menu

Tournez ou appuyez sur la molette pour sélectionner ou confirmer les paramètres du menu. Voir les détails ci-dessous.

Appuyez une fois : entrez dans le menu à partir de l'écran d'accueil ou confirmez les paramètres dans le menu.

Tournez : basculez entre les options.

Appuyez et maintenez : accédez au statut d'appairage (mode Contrôle) ou recherchez des appareils (mode Diffusion).

Appuyez deux fois : sur l'écran d'accueil, sélectionnez le canal (mode Contrôle) ou le numéro de l'appareil (mode Diffusion).

16. Bouton de retour

Appuyez pour revenir à l'écran précédent du menu.

17. Trous de vis 3/8 pouce-16

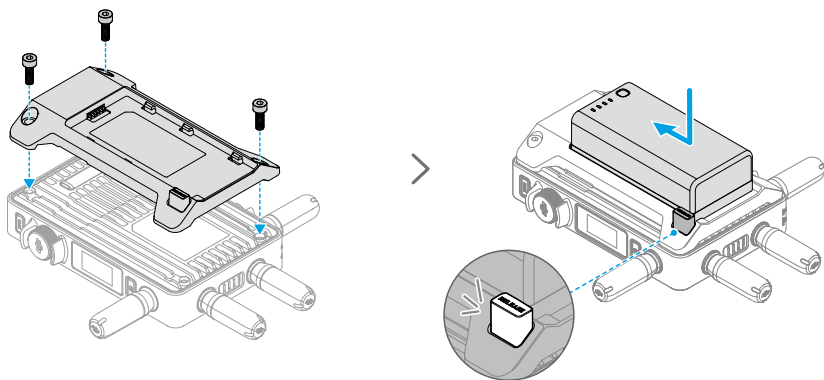
18. Trous de vis 1/4 pouce-20

19. Port d'entrée de l'alimentation externe

Montez l'adaptateur de batterie et la batterie compatible pour alimenter le récepteur vidéo.

Installation et connexion

Installation de la Batterie Intelligente WB37



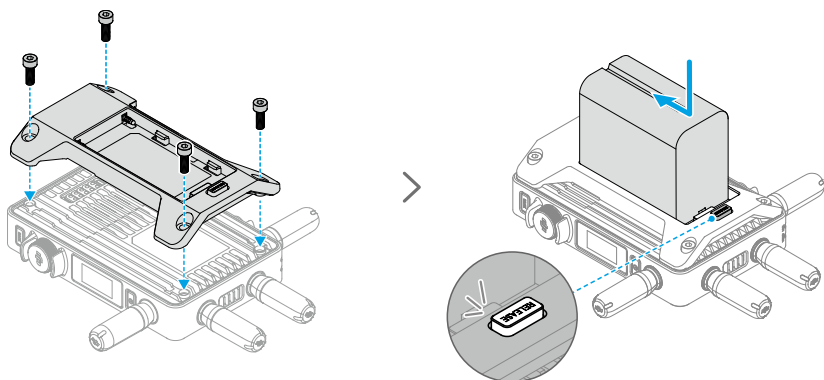
Avant la première utilisation, veuillez activer la batterie WB37 en la rechargeant avec la station de recharge de batterie WB37 (USB-C). Consultez le Guide d'utilisateur de la station de recharge de batterie WB37 (USB-C) pour plus d'informations.

1. Installez l'adaptateur de batterie WB37 à l'arrière du récepteur vidéo et serrez les trois vis M4 x 12.
2. Insérez la batterie WB37 dans le compartiment batterie du récepteur vidéo. Assurez-vous que le bouton d'éjection de la batterie est sorti et que la batterie s'enclenche.

⚠ • Assurez-vous que la batterie WB37 se situe dans la plage de température de fonctionnement. NE démontez PAS ni ne percez la batterie de quelques manières que ce soit. Sinon, la batterie risque de présenter des fuites, de prendre feu ou d'exploser. Consultez les consignes de sécurité de la Batterie Intelligente WB37 pour plus d'informations.

Maintenez le bouton d'éjection de la batterie enfoncé et poussez la batterie dans la direction opposée pour la retirer.

Installation de la batterie de gamme NP-F

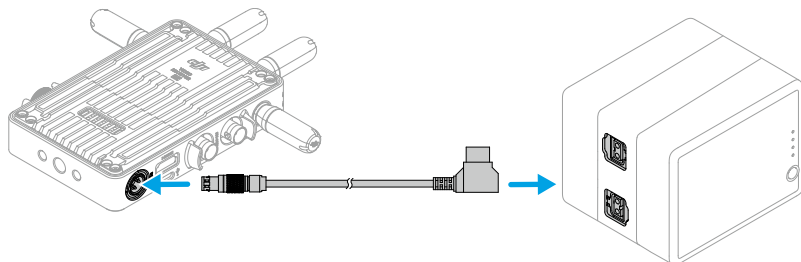


1. Installez l'adaptateur de batterie NP-F à l'arrière du récepteur vidéo et serrez les quatre vis M4 x 12.
2. Insérez la batterie de gamme NP-F dans le compartiment batterie du récepteur vidéo. Assurez-vous que le bouton d'éjection de la batterie est sorti et que la batterie s'enclenche.

Maintenez le bouton d'éjection de la batterie enfoncé et poussez la batterie dans la direction opposée pour la retirer.

Connexion du câble d'alimentation CC vers P-Tap

Une batterie avec port P-Tap peut être utilisée pour alimenter le récepteur vidéo. Utilisez le câble d'alimentation CC vers P-Tap fourni pour connecter le port P-Tap de la batterie et le port d'entrée CC du récepteur vidéo.



Activation

L'activation est nécessaire lorsque vous utilisez le récepteur vidéo pour la première fois. Mettez le récepteur vidéo sous tension et connectez-le à un ordinateur à l'aide d'un câble USB-C. Lancez DJI Assistant 2 (gamme Ronin), cliquez sur l'icône de l'appareil correspondant, puis suivez les instructions à l'écran pour activer l'appareil.

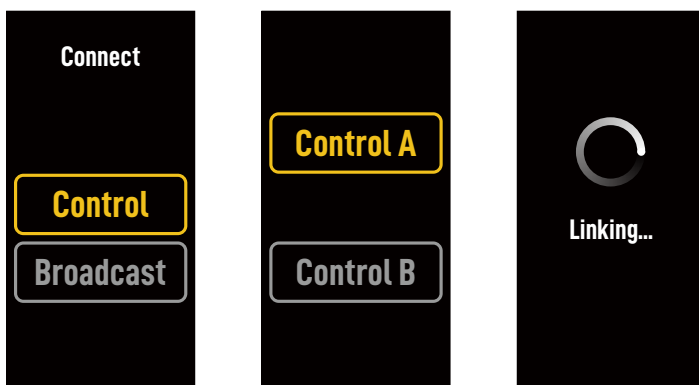
Téléchargez le logiciel à partir de : <https://www.dji.com/transmission/downloads>

Appairage

Le récepteur vidéo doit être appairé à l'appareil émetteur avant utilisation. Le système de transmission vidéo du récepteur vidéo offre un mode Contrôle et un mode Diffusion pour la connexion entre le récepteur vidéo et l'appareil émetteur, qui utilisent des méthodes d'appairage différentes. Reportez-vous à la section suivante pour les instructions et la description des voyants d'état de l'appairage.

Mode Contrôle

En mode Contrôle (le mode Diffusion étant désactivé dans l'appareil émetteur), le système de transmission vidéo bénéficie d'une plus grande distance de transmission, une meilleure protection contre les interférences et un plus grand nombre de canaux disponibles au choix. L'appareil émetteur peut également recevoir le signal de contrôle du récepteur vidéo lors de la connexion d'un accessoire DJI Pro, tel que DJI Master Wheels, au récepteur vidéo pour la radiocommande.



1. Allumez le récepteur vidéo. Appuyez sur la molette de menu du récepteur vidéo pour accéder au menu.
2. Appuyez sur la molette pour accéder au menu Connecter, tournez la molette pour sélectionner Contrôle dans le menu et appuyez sur la molette pour confirmer. Sélectionnez pour paramétrer le récepteur vidéo sur Contrôle A ou Contrôle B et appuyez à nouveau sur la molette pour confirmer. L'écran affiche Appairage et le voyant d'état de l'appairage clignote alternativement en rouge et en vert, ce qui indique que l'appareil est en cours d'appairage.



- Si le récepteur vidéo est en mode Contrôle et qu'il est paramétré sur le Contrôle A ou le Contrôle B souhaité, appuyez directement sur la molette de menu et maintenez-la enfoncée pour accéder à l'appairage.
- Si deux récepteurs vidéo doivent être connectés au même appareil émetteur, il faut d'abord établir l'appairage avec le récepteur vidéo du contrôle A, puis avec le récepteur vidéo du contrôle B.

3. Utilisation de l'émetteur vidéo DJI :

Allumez l'émetteur vidéo DJI. Appuyez et maintenez la molette de menu sur l'émetteur

vidéo pour accéder au statut d'appairage. Le voyant d'état de l'appairage sur l'émetteur vidéo clignote alternativement en rouge et en vert, indiquant que l'appareil est en cours d'appairage.

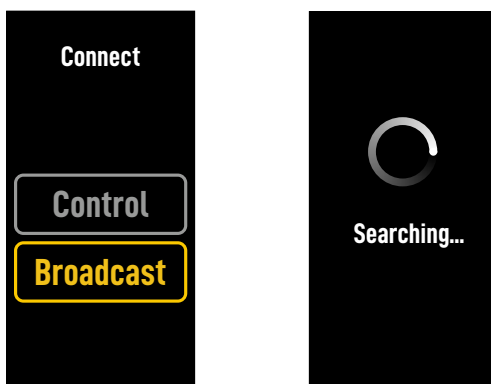
Utilisation de l'émetteur vidéo DJI Ronin 4D :

Pour lancer l'appairage, maintenez enfoncé le bouton d'appairage de l'émetteur vidéo Ronin 4D ou allez dans le menu de l'écran principal haute luminosité Ronin 4D, appuyez sur Transmission, puis sur Appairer l'appareil. Le voyant d'état de l'appairage sur l'émetteur vidéo clignote alternativement en rouge et en vert, indiquant que l'appareil est en cours d'appairage.

4. Une fois l'appairage terminé, le voyant d'état de l'appairage devient vert fixe sur le récepteur vidéo et le récepteur vidéo peut communiquer avec l'appareil émetteur.

Mode Diffusion

En mode Diffusion, un nombre illimité de récepteurs vidéo utilisés comme appareils de surveillance peuvent se connecter à l'appareil émetteur. Dans les scénarios nécessitant plusieurs appareils émetteurs, les récepteurs vidéo en mode Diffusion peuvent sélectionner rapidement l'appareil émetteur souhaité afin d'assurer une surveillance sur plusieurs canaux.



1. Allumez le récepteur vidéo. Appuyez sur la molette de menu du récepteur vidéo pour accéder au menu.
2. Appuyez sur la molette pour accéder au menu Connecter, tournez la molette pour sélectionner Diffusion dans le menu, puis appuyez sur la molette pour confirmer.
3. Attendez que les résultats de la recherche soient complets et sélectionnez un appareil à connecter.



• En mode Diffusion, appuyez sur la molette et maintenez-la enfoncée pour actualiser les résultats de la recherche.

Voyant d'état de l'appairage

Voyant d'état de l'appairage	Description
Rouge fixe	Appareil démarré, non connecté.
Clignote en rouge et vert en alternance	Appairage.
Vert fixe	Appairage réussi en mode Contrôle. Transmission vidéo sans fil normale. Mode Diffusion activé.
Clignote en rouge	Dysfonctionnement de l'appareil. Contactez le service client DJI.

Opérations sur l'écran d'affichage

Écran d'accueil



1. Caractéristiques vidéo

Affiche la définition et le taux de rafraîchissement de l'entrée de l'appareil émetteur.

2. Tension d'alimentation électrique

Affiche la tension de la batterie ou l'entrée d'alimentation CC.

3. Appareil de contrôle

En mode Contrôle, affiche si le récepteur vidéo est paramétré sur Contrôle A ou sur Contrôle B.

4. Canal (mode Contrôle)

Affiche le canal en cours d'utilisation et la qualité du signal. Deux statuts sont disponibles : fort (vert) et faible (rouge). Appuyez deux fois sur la molette du menu pour un changement rapide de canal.

5. Force et débit binaire du signal de transmission vidéo

Affiche la force et le débit binaire du signal de transmission vidéo. Trois statuts sont disponibles pour la force du signal de transmission vidéo : fort (vert), modéré (orange) et faible (rouge).

6. Numéro de l'appareil



En mode Diffusion, affiche le numéro d'appareil de l'émetteur vidéo. Appuyez deux fois sur la molette de menu pour afficher les derniers résultats de recherche enregistrés en mode Diffusion, puis passez d'un appareil à l'autre ou actualisez les résultats de la recherche.

7. Canal (mode Diffusion)

Affiche le canal en cours d'utilisation. Consultez la qualité du signal de chaque canal dans le menu.

Menu

Sur l'écran d'accueil, appuyez sur la molette de menu du récepteur vidéo pour accéder au menu et effectuer les configurations et opérations suivantes. Tournez ou appuyez sur la molette pour sélectionner ou confirmer les paramètres du menu. Appuyez sur le bouton de retour pour revenir à l'écran précédent.

Connexion	Sélectionnez le mode Contrôle ou le mode Diffusion. Lorsque le mode Contrôle est sélectionné, il est nécessaire de paramétrer l'appareil en cours d'utilisation sur Contrôle A ou Contrôle B.
Canal	En mode Contrôle, consultez la qualité du signal de chaque canal et sélectionnez le canal. En mode Diffusion, ne consultez la qualité du signal de chaque canal que pour faciliter la sélection des canaux dans l'appareil émetteur.
Numéro de l'appareil	Ce menu n'apparaît qu'en mode Diffusion. Les derniers résultats de la recherche en mode Diffusion s'affichent après l'accession au menu. Passez d'un appareil à l'autre ou actualisez les résultats de la recherche.
Mode Ventilateur	Définissez le mode de ventilation sur Standard ou Faible bruit.  Si l'option Faible bruit est sélectionnée, le mode de ventilation passe automatiquement au mode Standard lorsque la température de l'appareil est trop élevée.
Fonction Type-C	Sélectionnez USB lorsque vous utilisez le port USB-C pour la mise à jour du firmware dans DJI Assistant 2. En mode Contrôle, paramétrez la fonction Type-C de l'émetteur et du récepteur sur Appel vocal et connectez des écouteurs avec un micro intégré aux ports USB-C, afin de permettre les appels vocaux entre l'émetteur et le récepteur. Utilisez les boutons de volume des écouteurs pour régler le volume des appels vocaux.  Consultez les écouteurs compatibles sur la page FAQ de la page du produit sur le site Web officiel de DJI. D'autres écouteurs numériques 48 kHz/16 bits sont également pris en charge.
Latence faible	Lorsqu'activée, le taux de rafraîchissement est converti à 60 ips.
Langue	Sélectionnez la langue du système dans la liste des langues.
Infos sur l'appareil	Consultez les informations telles que le numéro de série de l'appareil et la version du firmware.

Annexe

Mise à jour du firmware

Mettez à jour le récepteur vidéo à l'aide du logiciel DJI Assistant 2 (gamme Ronin).

1. Mettez l'appareil sous tension. Assurez-vous que la fonction Type-C est paramétrée sur USB dans le menu. Connectez l'appareil à un ordinateur avec un câble USB-C.
2. Lancez DJI Assistant 2 (gamme Ronin) et connectez-vous à l'aide d'un compte DJI.
3. Sélectionnez l'appareil puis cliquez sur Mise à jour du firmware à gauche de l'écran.
4. Sélectionnez la version du firmware.
5. Le firmware sera téléchargé et mis à jour automatiquement.
6. L'appareil redémarrera automatiquement une fois la mise à jour du firmware terminée.

Caractéristiques techniques

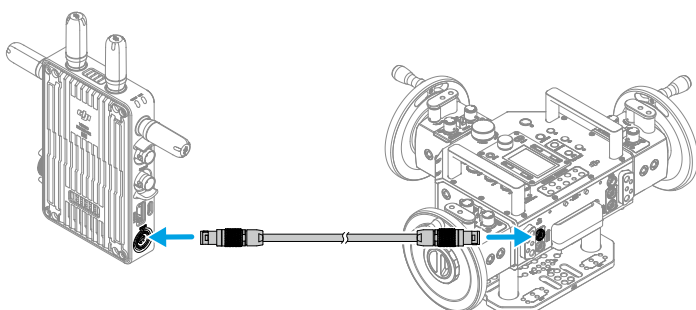
Poids	Environ 350 g (récepteur uniquement, sans les antennes)
Dimensions	127 x 87 x 26 mm (sans les antennes)
Fréquence de fonctionnement ^[1]	2,4000 à 2,4835 GHz, 5,150 à 5,250 GHz, 5,250 à 5,350 GHz, 5,470 à 5,725 GHz, 5,725 à 5,850 GHz
Puissance de l'émetteur (EIRP)	2,4 GHz : < 33 dBm (FCC), < 20 dBm (SRRC/CE/MIC) 5,8 GHz : < 33 dBm (FCC), < 14 dBm (CE), < 23 dBm (SRRC)
Consommation électrique	9 W
Tension d'alimentation électrique	6 à 18 V
Tension de sortie	6 à 18 V
Autonomie de la batterie ^[2]	3 heures 50 minutes
Format de sortie vidéo	• En cas d'utilisation avec l'émetteur vidéo DJI: 1080p: 23,98/24/25/29,97/30/50/59,94/60 ips 720p: 50/59,94/60 ips • En cas d'utilisation avec Ronin 4D : 1080p: 24/25/30/50/60 ips
Format de sortie audio	SDI embarqué, HDMI embarqué
Système de transmission vidéo	O3 Pro
Débit binaire max.	40 Mb/s
Latence	70 ms (1 080p à 60 ips)
Format d'encodage vidéo	H.264
Distance de transmission max.	6 km (FCC), 4 km (CE/SRRC/MIC) (sans obstacle ni interférence)
Bande passante max.	40 MHz
Température de fonctionnement ^[3]	-10 à 45 °C (14 à 113 °F)

- [1] En raison des réglementations locales, les fréquences 5,1/5,2/5,8 GHz sont interdites dans certains pays et les fréquences 5,1/5,2 GHz sont uniquement utilisées en intérieur dans certains pays. La fréquence 5,600 à 5,650 GHz n'est pas utilisée.
- [2] Testé à une température ambiante de 25 °C (77 °F) lorsqu'il est alimenté par une Batterie Intelligente WB37 entièrement rechargée et utilisé avec l'émetteur vidéo DJI.
- [3] L'utilisation de l'appareil avec la batterie intelligente WB37 est recommandée à des températures supérieures à 0° C. Veillez à conserver la batterie au chaud lorsque vous l'utilisez à des températures inférieures à 0° C.

Utilisation d'autres appareils de contrôle

Connectez DJI Master Wheels au récepteur vidéo pour contrôler l'appareil émetteur à distance.

Connexion : connectez le port CD-OUT (de sortie CC) de DJI Master Wheels au port CD-IN (d'entrée CC) du récepteur vidéo à l'aide du câble de contrôle de l'écran sans fil haute luminosité DJI.



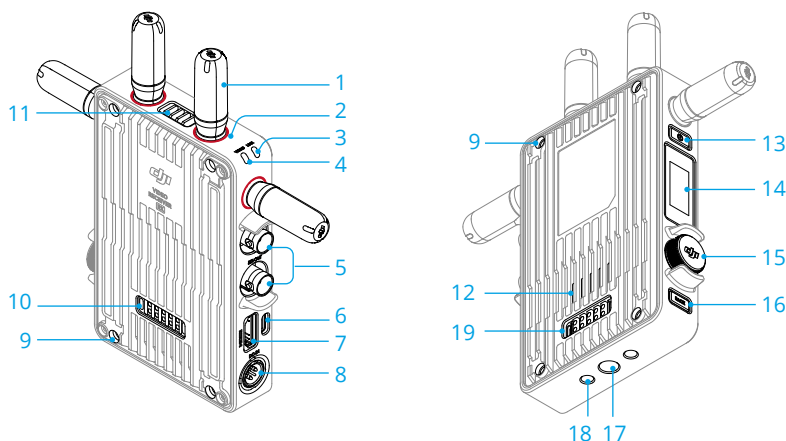
Limitazioni di responsabilità e avvertenze

Prima dell'utilizzo, leggere con attenzione l'intero documento e tutte le pratiche di sicurezza e legali fornite.

Introduzione

Il Ricevitore video DJI™ dispone della trasmissione video DJI O3 Pro e riceve segnali video dal trasmettitore. In un ambiente privo di interferenze od ostruzioni, il ricevitore video fornisce la trasmissione video entro una distanza di trasmissione massima di 6 km*, una velocità di trasmissione (bit rate) a 40 Mb/s e una latenza da estremo a estremo minima di 70 ms. Supporta diverse bande di frequenza sia in modalità Control che Broadcast, ed emette simultaneamente diversi segnali video ai dispositivi di visualizzazione per il monitoraggio da remoto. Quando è utilizzato con il Trasmettitore video DJI o il Trasmettitore video per DJI Ronin 4D, il ricevitore video è in grado di soddisfare i requisiti di riprese per film, serie TV, annunci pubblicitari e documentari.

* Dati acquisiti con il sistema di controllo della trasmissione video in modalità Control (modalità Broadcast nel dispositivo di trasmissione disabilitata) in un ambiente privo di ostacoli e privo di interferenze, secondo la conformità FCC.



1. Antenne rimovibili

Trasmettono il segnale di connessione wireless.

2. Contrassegni colorati

Consentono di identificare il ricevitore e il trasmettitore. Il ricevitore è indicato dai contrassegni rossi. È inoltre possibile applicare i vari adesivi colorati inclusi nella confezione sui dispositivi ai fini dell'identificazione.

3. Indicatore dello stato di collegamento

Mostra lo stato di connessione tra il ricevitore e il trasmettitore. Per ulteriori informazioni sui pattern di lampeggiamento, consultare la sezione Collegamento.

4. Indicatore di stato del video

Indica se è presente un segnale video trasmesso dal trasmettitore al ricevitore. Il verde fisso indica la presenza di una trasmissione di segnale video, mentre il rosso fisso la sua assenza.

5. Porte di uscita SDI

Emettono il segnale video.

6. Porta USB-C

Collegare il software DJI Assistant 2 (Serie Ronin) utilizzando un cavo USB-C per l'attivazione del dispositivo e gli aggiornamenti del firmware. Collegare degli auricolari dotati di microfono per le chiamate vocali. È necessario impostare la funzione Type-C (Tipo C) nel ricevitore prima dell'uso. Per ulteriori informazioni, consultare la sezione Menu.

7. Porta HDMI (Tipo A)

Emette il segnale video.

8. Porta DC-in

Fornisce alimentazione al ricevitore video utilizzando il cavo di alimentazione fornito. Tensione compresa tra 6 V e 18 V e corrente massima di 2 A.

9. Fori per viti M4


Montare l'adattatore per batteria o altri adattatori per l'espansione.

10. Porta di uscita alimentazione

Alimenta un dispositivo esterno.

11. Bocchettone

12. Presa d'aria

 • NON coprire il bocchettone, la presa d'aria o entrambi i lati dell'adattatore per batteria, se presente. In caso contrario, le prestazioni del dispositivo potrebbero essere condizionate dal surriscaldamento.

13. Pulsante di accensione

Premere una volta per accendere. Premere e tenere premuto per spegnere.

14. Schermo di visualizzazione

Visualizza lo stato e il menu del dispositivo.

15. Rotella del menu

Ruotare o premere la rotella per selezionare o confermare le impostazioni nel menu. Vedere qui di seguito per informazioni dettagliate.

Premere una volta: accedere al menu dalla schermata iniziale, o confermare le impostazioni nel menu.

Ruotare: passare da un'opzione all'altra.

Premere e tenere premuto: accedere allo stato di collegamento (modalità Control (Controllo)) o eseguire la ricerca di dispositivi (modalità Broadcast).

Premere due volte: nella schermata iniziale, selezionare il canale (modalità Control (Controllo)) o il numero di dispositivo (modalità Broadcast).

16. Pulsante Indietro

Premere per tornare alla schermata precedente del menu.

17. Foro per viti 3/8" - 16

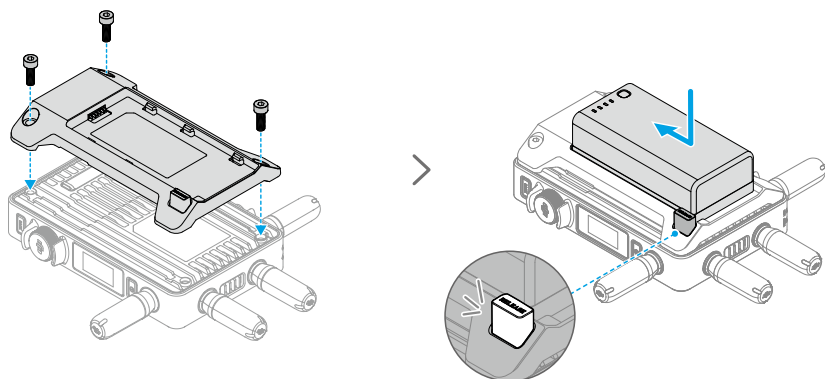
18. Fori per viti 1/4" - 20

19. Porta d'ingresso dell'alimentazione esterna

Montare l'adattatore per batteria e la batteria compatibile per alimentare il ricevitore video.

Installazione e collegamento

Inserimento della batteria intelligente WB37



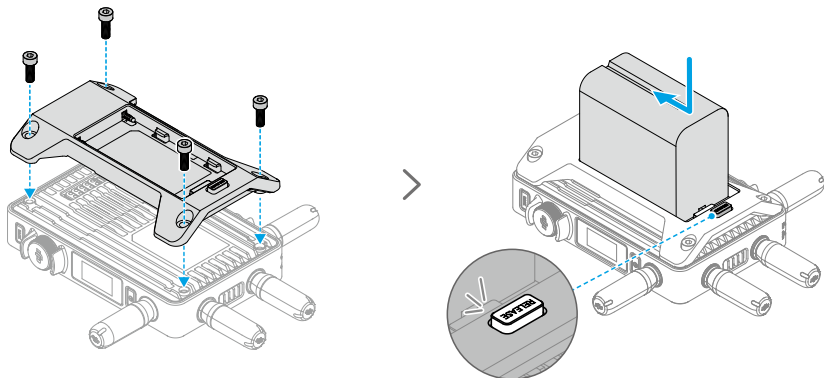
Prima del primo utilizzo, attivare la batteria WB37 caricandola con la Stazione di ricarica per batterie WB37 (USB-C). Per ulteriori informazioni, consultare il Manuale Utente della Stazione di ricarica per batterie WB37 (USB-C).

1. Montare l'adattatore per batteria WB37 sul retro del ricevitore video e serrare le tre viti M4×12.
2. Inserire la batteria WB37 nell'apposito vano del ricevitore video. Assicurarsi che il pulsante di rilascio della batteria scatti e che la batteria scatti in posizione.

⚠ • Assicurarsi di utilizzare la batteria WB37 entro il suo intervallo di temperatura operativa. NON smontare né perforare la batteria in alcun modo. In caso contrario, la batteria potrebbe perdere liquido, infiammarsi o esplodere. Per ulteriori informazioni, consultare le Direttive sulla sicurezza della Batteria intelligente WB37.

Premere e tenere premuto il pulsante di rilascio, quindi spingere la batteria nella direzione opposta per rimuoverla.

Montaggio della batterie serie NP-F

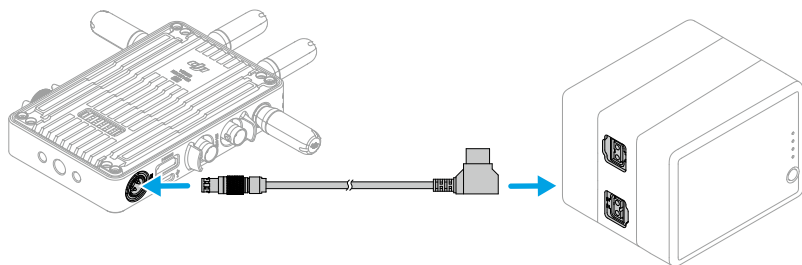


1. Montare l'adattatore per batterie NP-F sul retro del ricevitore video e serrare le 4 viti M4×12.
2. Inserire la batteria serie NP-F nell'apposito vano del ricevitore video. Assicurarsi che il pulsante di rilascio della batteria scatti e che la batteria scatti in posizione.

Premere e tenere premuto il pulsante di rilascio, quindi spingere la batteria nella direzione opposta per rimuoverla.

Collegamento del cavo di alimentazione da CC a P-Tap

È possibile usare una batteria con porta P-Tap per alimentare il ricevitore video. Usare il cavo di alimentazione da CC a P-Tap in dotazione per collegare la porta P-Tap della batteria alla porta DC-in del ricevitore video.



Attivazione

Quando si usa il ricevitore video per la prima volta, è necessario eseguire l'attivazione. Accendere il ricevitore video e collegarlo a un computer per mezzo di un cavo USB-C. Avviare DJI Assistant 2 (Serie Ronin), fare clic sull'icona del dispositivo corrispondente e seguire le istruzioni visualizzate sullo schermo per attivare il dispositivo.

Scaricare il software da: <https://www.dji.com/transmission/downloads>

Collegamento

Prima dell'uso, è necessario collegare il ricevitore video al dispositivo di trasmissione. Il sistema di trasmissione video del ricevitore video dispone delle modalità Control (Controllo) e Broadcast (Trasmissione) per il collegamento del ricevitore video al dispositivo di trasmissione, che utilizzano metodi di collegamento diversi. Per istruzioni e descrizioni dell'indicatore dello stato di collegamento, fare riferimento alla sezione seguente.

Modalità di controllo

In modalità Control (Controllo) (con la modalità Broadcast nel dispositivo di trasmissione disattivata), il sistema di trasmissione video ha una distanza di trasmissione più lunga, una capacità anti-interferenza più forte e un numero di canali selezionabili maggiore. Inoltre, il dispositivo di trasmissione è in grado di ricevere il segnale di controllo dal ricevitore video quando si collega un accessorio DJI Pro al ricevitore video per il controllo in remoto, come DJI Master Wheels.



1. Accendere il ricevitore video. Premere la rotella del menu sul ricevitore video per accedere al menu.
2. Premere la rotella per accedere al menu Connect (Connetti), ruotare la rotella per selezionare Control (Controllo) nel menu, quindi premere la rotella per confermare. Selezionare per impostare il ricevitore video su Control A (Controllo A) o Control B (Controllo B), quindi premere nuovamente la rotella per confermare. Nello schermo di visualizzazione appare Linking (Collegamento in corso) e l'indicatore dello stato di collegamento lampeggia alternativamente in rosso e verde a indicare che il dispositivo è in fase di collegamento.

- Se il ricevitore video è in modalità Control (Controllo) ed è impostato su Control A (Controllo A) o Control B (Controllo B), premere e tenere premuta direttamente la rotella del menu per accedere al collegamento.
- Se due ricevitori video saranno connessi allo stesso dispositivo di trasmissione, eseguire il collegamento dapprima con il ricevitore video Control A (Controllo A) e successivamente con quello B.

3. Utilizzo del Trasmettitore video DJI:

Accendere il Trasmettitore video DJI. Premere e tenere premuta la manopola del menu sul trasmettitore video per accedere allo stato di collegamento. L'indicatore dello stato di collegamento posto sul trasmettitore video lampeggia alternativamente in rosso e verde, indicando che il dispositivo sta eseguendo il collegamento.

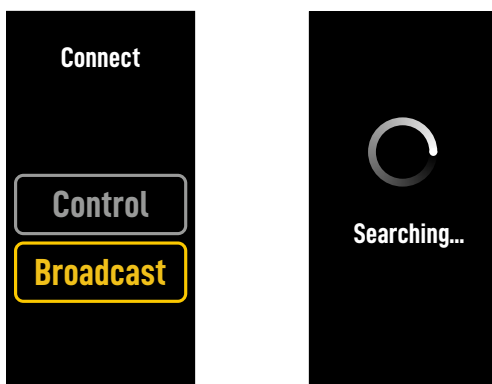
Utilizzo del Trasmettitore video per DJI Ronin 4D:

Per avviare il collegamento, tenere premuto il pulsante di collegamento del Trasmettitore video 4D o andare al menu del Monitor principale ad alta luminosità Ronin 4D, quindi toccare Transmission (Trasmissione) seguito da Link Device (Collega dispositivo). L'indicatore dello stato di collegamento posto sul trasmettitore video lampeggia alternativamente in rosso e verde, indicando che il dispositivo sta eseguendo il collegamento.

4. Una volta terminato il collegamento, l'indicatore dello stato di collegamento sul ricevitore video si accende di verde fisso e il ricevitore video è in grado di comunicare con il dispositivo di trasmissione.

Broadcast Mode (Modalità Broadcast)

In modalità Broadcast, è possibile collegare un numero illimitato di ricevitori video al dispositivo di trasmissione quali dispositivi di monitoraggio. Quando si usano diversi dispositivi di trasmissione, i ricevitori video in modalità Broadcast sono in grado di selezionare rapidamente il dispositivo di trasmissione desiderato per eseguire il monitoraggio multicanale.



1. Accendere il ricevitore video. Premere la rotella del menu sul ricevitore video per accedere al menu.
2. Premere la rotella per accedere al menu Connect (Connetti), ruotare la rotella per selezionare Broadcast (Trasmissione) nel menu, quindi premere la rotella per confermare.
3. Attendere il completamento dei risultati di ricerca e selezionare un dispositivo per il collegamento.

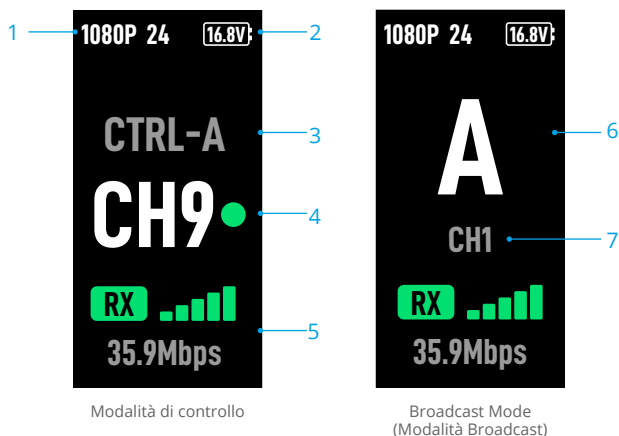
☀ • In modalità Broadcast, premere e tenere premuta la rotella per aggiornare i risultati di ricerca.

Indicatore dello stato di collegamento

Indicatore dello stato di collegamento	Descrizione
Rosso fisso	Dispositivo avviato, non connesso.
Lampeggiamento alternato in rosso e verde	Collegamento in corso.
Verde fisso	Collegamento nella modalità Control (Controllo) eseguito con successo. La trasmissione video wireless è normale. Modalità Broadcast attivata.
Rosso lampeggiante	Guasto del dispositivo. Contattare l'Assistenza DJI.

Operazioni dello schermo di visualizzazione

Schermata iniziale



1. Specifiche video

Visualizza la risoluzione e la frequenza fotogrammi dell'ingresso dal dispositivo di trasmissione.

2. Tensione fonte di alimentazione

Visualizza la tensione della batteria o l'ingresso della corrente CC.

3. Dispositivo di controllo

In modalità Control (Controllo), visualizza se il ricevitore video è impostato su Control A o Control B.

4. Canale (modalità Control (Controllo))

Visualizza il canale attualmente in uso e la qualità del segnale. Sono disponibili due stati, tra cui forte (verde) e debole (rosso). Premere due volte la rotella del menu per cambiare rapidamente canale.

5. Forza e Bit rate del segnale di trasmissione video

Visualizza la forza e il bit rate del segnale di trasmissione video. Sono disponibili tre stati per la forza di segnale della trasmissione video, tra cui forte (verde), moderata (arancione) e debole (rossa).

6. Numero del dispositivo



In modalità Broadcast visualizza il numero di dispositivo del trasmettitore video. Premere due volte la rotella del menu per visualizzare gli ultimi risultati di ricerca registrati in modalità Broadcast e passare da un dispositivo all'altro o aggiornare i risultati di ricerca.

7. Canale (modalità Broadcast)

Visualizza il canale in uso. Visualizzare la qualità del segnale di ogni canale nel menu.

Menu

Nella schermata iniziale, premere la rotella del menu nel registratore video per accedere al menu ed eseguire la seguente configurazione e operazioni. Ruotare o premere la rotella per selezionare o confermare le impostazioni nel menu. Premere il pulsante Indietro per tornare alla schermata precedente.

Connessione	Selezionare la modalità Control (Controllo) o quella Broadcast. Quando si seleziona la modalità Control (Controllo), è necessario impostare il dispositivo in uso su Control A (Controllo A) o Control B (Controllo B).
Canale	In modalità Control (Controllo), visualizzare la qualità del segnale di ogni canale, quindi selezionare il canale. In modalità Broadcast, visualizzare la qualità del segnale di ogni canale solo per assistere nella selezione del canale nel dispositivo di trasmissione.
Numero del dispositivo	Il menu sarà visualizzato solo in modalità Broadcast. I risultati di ricerca più recenti saranno visualizzati in modalità Broadcast solo dopo aver eseguito l'accesso al menu. Passare da un dispositivo all'altro o aggiornare i risultati di ricerca.
Modalità Fan (Ventola)	Impostare la modalità Fan (Ventola) su Standard o Low Noise (Poco rumorosa).  Se si seleziona Low Noise (Poco rumorosa), la modalità Fan (Ventola) passerà automaticamente a Standard quando la temperatura del dispositivo è troppo alta.
Funzione Type-C (Tipo C)	Selezionare USB quando si usa la porta USB-C per eseguire l'aggiornamento del firmware in DJI Assistant 2. In modalità Control (Controllo), impostare la funzione Type-C (Tipo C) del trasmettitore e del ricevitore su Voice Call (Chiamata vocale), quindi collegare degli auricolari dotati di microfono alle porte USB-C per consentire le chiamate vocali tra il trasmettitore e il ricevitore. Usare i pulsanti del volume sugli auricolari per regolare il volume per le chiamate vocali.  Visualizzare gli auricolari compatibili nella pagina FAQ (Domande frequenti) della pagina del prodotto sul sito Web ufficiale di DJI. Sono supportati anche altri auricolari digitali a 48 kHz/16 bit.
Bassa latenza	Quando questa funzione è attivata, la frequenza fotogrammi è convertita in 60 fps.
Lingua	Selezionare la lingua di sistema nell'elenco delle lingue.
Informazioni sul dispositivo	Visualizzare informazioni, come il numero di serie e la versione firmware del dispositivo.

Appendice

Aggiornamento del firmware

Aggiornare il ricevitore video utilizzando il software DJI Assistant 2 (Serie Ronin).

1. Accendere il dispositivo. Verificare che la funzione Type-C (Tipo C) sia impostata su USB nel menu. Collegare il dispositivo a un computer usando un cavo USB-C.
2. Avviare DJI Assistant 2 (serie Ronin) e accedere con un account DJI.
3. Selezionare il dispositivo e selezionare Firmware Update (Aggiornamento del firmware) sul lato sinistro dello schermo.
4. Selezionare la versione del firmware.
5. Il firmware sarà scaricato e aggiornato automaticamente.
6. Il dispositivo si riavvierà automaticamente al termine dell'aggiornamento del firmware.

Specifiche tecniche

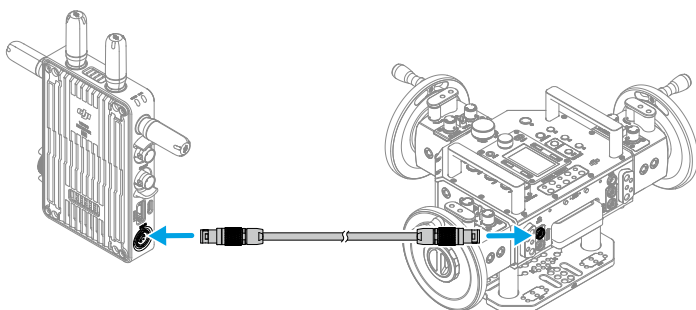
Peso	Circa 350 g (solo ricevitore, escluse le antenne)
Dimensioni	127×87×26 mm (escluse le antenne)
Frequenza operativa ^[1]	2.4000–2.4835 GHz, 5.150–5.250 GHz, 5.250–5.350 GHz, 5.470–5.725 GHz, 5.725–5.850 GHz
Potenza del trasmettitore (EIRP)	2.4 GHz: <33 dBm (FCC), <20 dBm (SRRC/CE/MIC) 5.8 GHz: <33 dBm (FCC), <14 dBm (CE), <23 dBm (SRRC)
Consumo energetico	9 W
Tensione fonte di alimentazione	6-18 V
Tensione in uscita	6-18 V
Durata della batteria ^[2]	3 ore e 50 minuti
Formato video di uscita	• Quando usato con il trasmettitore video DJI: 1080p: 23.98/24/25/29.97/30/50/59.94/60 fps 720p: 50/59.94/60 fps • Quando usato con Ronin 4D: 1080p: 24/25/30/50/60 fps
Formato audio di uscita	SDI integrato; HDMI integrato
Sistema di trasmissione video	O3 Pro
Bit rate massimo	40 Mbps
Latenza	70 ms (1080p 60 fps)
Formato di codifica video	H.264
Massima distanza di trasmissione	6 km (FCC), 4 km (CE/SRRC/MIC) (senza ostacoli né interferenze)
Larghezza di banda max	40 MHz
Temperatura operativa ^[3]	Tra -10°C e 45°C

- [1] A causa delle normative locali, le frequenze 5.1/5.2/5.8 GHz sono vietate in alcuni Paesi e le frequenze 5.1/5.2 GHz sono consentite solo per l'uso all'interno in alcuni Paesi. 5.600-5.650 GHz non viene utilizzata.
- [2] Testato a temperatura ambiente di 25°C alimentato con una batteria intelligente WB37 completamente carica e utilizzato con il Trasmettitore video DJI.
- [3] Quando si utilizza la Batteria intelligente WB37, si consiglia di utilizzare il dispositivo a una temperatura superiore a 0°C. Adottare misure per mantenere calda la batteria quando si utilizza a una temperatura inferiore a 0°C.

Utilizzo di altri dispositivi di controllo

Collegare DJI Master Wheels al ricevitore video per controllare il dispositivo di trasmissione in remoto.

Collegamento: connettere la porta DC-OUT di DJI Master Wheels con la porta DC-IN del ricevitore video utilizzando il Cavo del controller per Monitor remoto ad alta luminosità DJI.



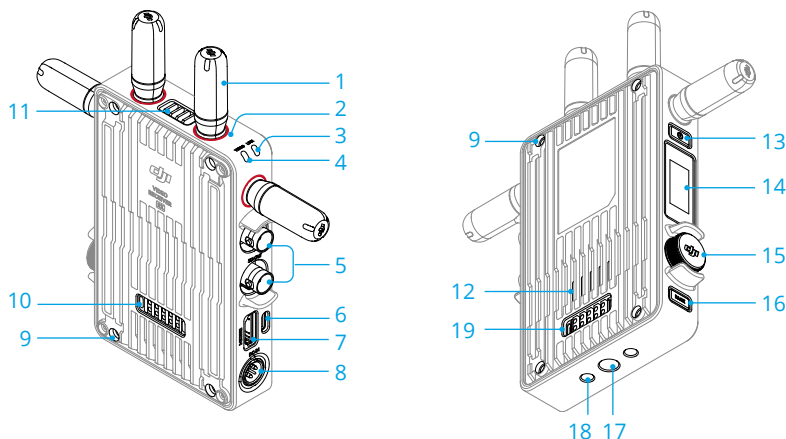
Disclaimer en waarschuwing

Lees vóór gebruik dit hele document zorgvuldig door, evenals alle veilige en wettelijke praktijken die voorafgaand aan gebruik zijn verstrekt.

Inleiding

De DJI™-video-ontvanger beschikt over DJI O3 Pro-videotransmissie en ontvangt videosignalen van de zender. In een omgeving zonder interferentie of obstructies biedt de video-ontvanger videotransmissie met een maximaal transmissiebereik van 6 km*, een bitsnelheid tot 40 Mbps en een minimale end-to-end latentie van 70 ms. Het ondersteunt meerdere frequentiebanden in zowel de besturings- als de uitzendmodus. Ook zendt het tegelijkertijd meerdere videosignalen uit naar weergave-apparaten voor bediening op afstand. Bij gebruik met de DJI Video Transmitter of DJI Ronin 4D Video Transmitter, kan de video-ontvanger voldoen aan de filmvereisten van media zoals films, tv-series, advertenties en documentaires.

* Gemeten met het videotransmissiecontrolesysteem in de besturingsmodus (uitzendmodus in hte transmitterapparaat uitgeschakeld) in een onbelemmerde omgeving die vrij van interferentie en FCC-conform is.



1. Afneembare antennes

Zend het draadloze signaal uit.

2. Kleurmarkeringen

Worden gebruikt om de ontvanger en zender te identificeren. De ontvanger wordt geïdentificeerd door de rode kleurmarkeringen. Gebruikers kunnen de verschillende gekleurde stickers die in de verpakking zitten ook op de apparaten plaatsen voor identificatie.

3. Indicator koppelingsstatus

Toont de verbindingstatus tussen de ontvanger en de zender. Raadpleeg het gedeelte Koppelen voor meer informatie over knipperpatronen.

4. Statusindicator video

Geeft aan of er een videosignaal wordt verzonden van de zender naar de ontvanger. Continu groen geeft aan dat er een videosignaaltransmissie is, terwijl continu rood aangeeft dat er geen videosignaaltransmissie is.

5. SDI-uitgangspoorten

Voer het videosignaal uit.

6. USB-C-poort

Maak verbinding met de DJI Assistant 2-software (Ronin-serie) via een USB-C-kabel voor apparaatactivering en firmware-updates. Verbind hoofdtelefoons met een ingebouwde microfoon voor spraakoproepen. Het is vereist om de Type-C-functie op de ontvanger in te stellen voor gebruik. Raadpleeg het gedeelte Menu voor meer informatie.

7. HDMI-poort (type A)

Voert het videosignaal uit.

8. DC-in-poort

Leverd stroom aan de video-ontvanger met behulp van de meegeleverde voedingskabel. Spanning 6-18 V en max. stroom 2 A.

9. M4 schroefgaten

Monteer de accu-adapter of andere adapters voor uitbreiding.

10. Poort voor stroomuitgang

Leverd stroom aan een extern apparaat.

11. Ventilatieopening

12. Luchtinlaat



• Dek de ventilatieopening, luchtinlaat of de zijden van de accu-adapter NIET af als deze gemonteerd is. Anders kunnen de prestaties van het apparaat verslechteren door oververhitting.

13. Aan/uit-knop

Enmaal indrukken om in te schakelen. Ingedrukt houden om uit te schakelen.

14. Weergavescherm

Geeft de apparaatstatus en het menu weer.

15. Menu-draaiknop

Draai of druk op de draaiknop om instellingen in het menu te selecteren of te bevestigen. Zie details hieronder.

Enmaal drukken: ga naar het menu vanaf het startscherm of bevestig de instellingen in het menu.

Draaien: schakel tussen opties.

Ingedrukt houden: ga naar de koppelingsstatus (bedieningsmodus) of zoek naar apparaten (uitzendmodus).

Tweemaal drukken: selecteer in het startscherm het kanaal (bedieningsmodus) of apparaatnummer (uitzendingsmodus).

16. Terug-toets

Druk om terug te keren naar het vorige scherm of het menu.

17. 3/8"-16 schroefgat

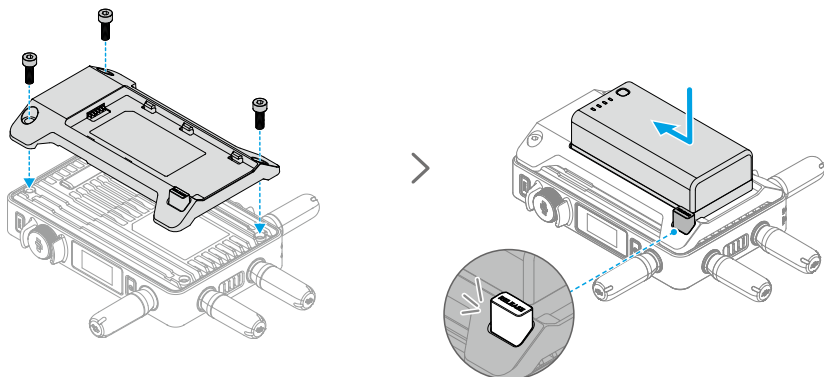
18. 1/4"-20 schroefgaten

19. Poort voor externe stroomvoorziening

Monteer de accu-adaptor en de compatibele accu om de video-ontvanger van stroom te voorzien.

Installatie en aansluiting

De WB37 Intelligent Battery plaatsen



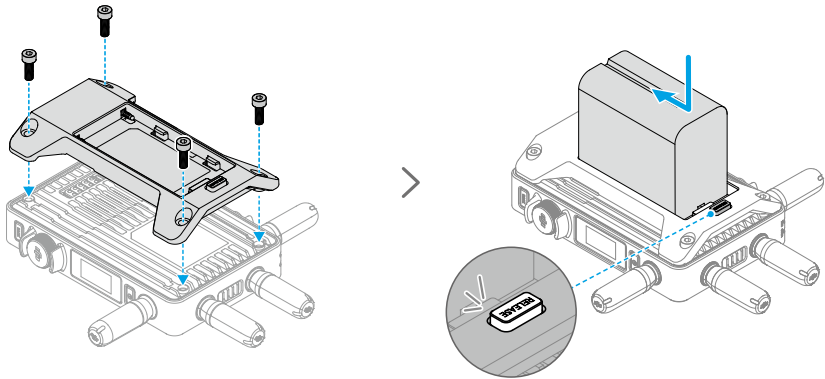
Activeer de WB37-accu vóór het eerste gebruik door deze op te laden met de WB37-accu-oplaadhub (USB-C). Raadpleeg de gebruikershandleiding van de WB37-accu-oplaadhub (USB-C) voor meer informatie.

1. Bevestig de WB37 accu-adaptor op de achterkant van de video-ontvanger en draai de twee M4×12-schroeven vast.
2. Plaats de WB37-accu in het accuvak van de video-ontvanger. Zorg ervoor dat de ontgrendelingsknop van de accu omhoog springt, en dat de accu op zijn plaats vastklikt.

⚠ • Zorg ervoor dat u de WB37-accu binnen het bedrijfstemperatuurbereik gebruikt. Demonteer of doorboor de accu NOOIT. Anders kan de accu lekken, vlam vatten, of exploderen. Raadpleeg de richtlijnen voor de WB37 Intelligent Battery voor meer informatie.

Houd de ontgrendelknop ingedrukt en druk de accu in de tegenovergestelde richting om deze te verwijderen.

Het plaatsen van de accu van de NP-F-serie

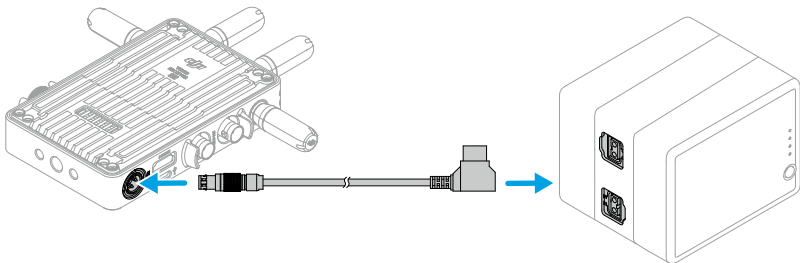


1. Bevestig de NP-F accu-adapter op de achterkant van de video-ontvanger en draai de twee M4×12-schroeven vast.
2. Plaats de accu van de NP-F-serie in het accuvak van de video-ontvanger. Zorg ervoor dat de ontgrendelingsknop van de accu omhoog springt, en dat de accu op zijn plaats vastklikt.

Houd de ontgrendelknop ingedrukt en druk de accu in de tegenovergestelde richting om deze te verwijderen.

De gelijkstroom-naar-P-tap-voedingskabel aansluiten

Een accu met een P-tap-poort kan worden gebruikt om de video-ontvanger van stroom te voorzien. Gebruik de meegeleverde gelijkstroom-naar-P-tap-voedingskabel om de P-tap-poort van de accu en de gelijkstroom-in-poort van de video-ontvanger aan te sluiten.



Activering

Wanneer de video-ontvanger voor het eerst wordt gebruikt is activering vereist. Schakel de video-ontvanger in en sluit het met een USB-C-kabel aan op een computer. Start DJI Assistant 2 (Ronin-serie), klik op het bijbehorende apparaatpictogram en volg de instructies op het scherm om het apparaat te activeren.

Download de software van: <https://www.dji.com/transmission/downloads>

Koppelen

De video-ontvanger moet vóór gebruik met de zender worden gekoppeld. Het videotransmissiesysteem van de video-ontvanger biedt de bedieningsmodus en de uitzendmodus voor verbinding tussen de video-ontvanger en het zendapparaat, die verschillende koppelmethode gebruiken. Raadpleeg de volgende paragraaf voor instructies en het koppelen van beschrijvingen van statusindicatoren.

Besturingsmodus

In de bedieningsmodus (met uitzendmodus in het zendapparaat uitgeschakeld) heeft het videotransmissiesysteem een langere transmissieafstand, een sterkere anti-interferentie en meer selecteerbare kanalen. Het zenderapparaat kan ook het besturingssignaal van de video-ontvanger ontvangen wanneer een DJI Pro-accessoire, zoals het DJI Master Wheels, op de video-ontvanger wordt aangesloten voor bediening op afstand.



1. Schakel de video-ontvanger in. Druk op de menu-draaiknop op de video-ontvanger om het menu te openen.
2. Druk op de draaiknop om het menu Verbinden te openen, draai aan de draaiknop om Bediening in het menu te selecteren en druk op de draaiknop om te bevestigen. Selecteer om de video-ontvanger in te stellen op Bediening A of Bediening B. Druk nogmaals op de draaiknop om te bevestigen. Het display toont Koppelen en de statusindicator knippert afwisselend rood en groen, wat aangeeft dat het apparaat koppelt.

- Als de video-ontvanger in de bedieningsmodus staat en is ingesteld op de gewenste Bediening A of Bediening B, houdt u de menuknop rechtstreeks ingedrukt om naar het koppelen te gaan.
- Als er twee video-ontvangers op hetzelfde zenderapparaat worden aangesloten, koppelt u eerst met video-ontvanger Bediening A en vervolgens met video-ontvanger Bediening B.

3. De DJI Video Transmitter gebruiken:

Schakel de DJI Video Transmitter in. Houd de menuknop op de videozender ingedrukt om de koppelingsstatus in te voeren. De statusindicator voor koppelen op de videozender knippert afwisselend rood en groen, wat aangeeft dat het apparaat aan het koppelen is.

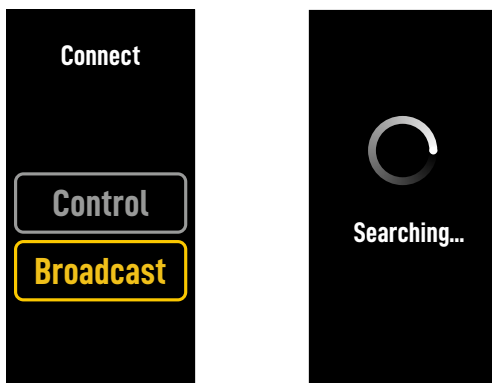
De DJI Ronin 4D Video Transmitter gebruiken:

Om het koppelen te beginnen, houdt u de koppelingsknop op de Ronin 4D Video Transmitter ingedrukt of gaat u naar het menu op de Ronin 4D High-Bright hoofdmonitor, tikt u op Transmissie en vervolgens Koppel apparaat. De statusindicator voor koppelen op de videozender knippert afwisselend rood en groen, wat aangeeft dat het apparaat aan het koppelen is.

4. Wanneer het koppelen voltooid is, gaat het statuslampjes op de video-ontvanger die de koppeling aangeeft naar vast groen en de video-ontvanger kan nu communiceren met het zenderapparaat.

Uitzendmodus

In de uitzendmodus kan een onbeperkt aantal video-ontvangers die worden gebruikt als monitoringsapparatuur verbinding maken met het zenderapparaat. In scenario's waarin meerdere zendapparaten worden gebruikt, kunnen video-ontvangers in de uitzendmodus snel het gewenste zenderapparaat selecteren om monitoring van meerder kanalen te bereiken.



1. Schakel de video-ontvanger in. Druk op de menu-draaiknop op de video-ontvanger om het menu te openen.
2. Druk op de draaiknop om het menu Verbinden te openen, draai aan de draaiknop om Uitzenden in het menu te selecteren en druk vervolgens op de draaiknop om te bevestigen.
3. Wacht tot de zoekresultaten zijn voltooid en selecteer een apparaat om verbinding te maken.

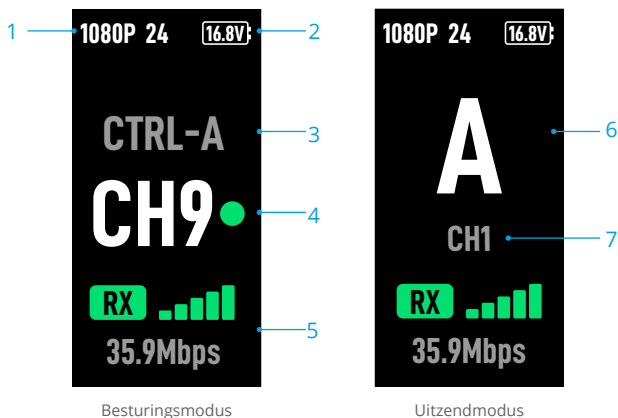
☀ • Houd in de uitzendmodus de draaiknop ingedrukt om de zoekresultaten te vernieuwen.

Indicator koppelingsstatus

Indicator koppelingsstatus	Omschrijving
Continu rood	Apparaat gestart, niet verbonden.
Knippert afwisselend rood en groen	Koppelen.
Continu groen	Met succes gekoppeld in de bedieningsmodus. Draadloze videotransmissie is normaal. Uitzendmodus ingeschakeld.
Knippert rood	Apparaatstoring. Neem contact op met DJI Support.

Schermbewerkingen weergeven

Startscherm



1. Videospecificaties

Geeft de resolutie en framesnelheid van de ingang van het zenderapparaat weer.

2. Voedingsspanning

Geeft de spanning van de accu of de netstroomingang weer.

3. Bedieningsapparaat

Geeft in de bedieningsmodus aan of de video-ontvanger is ingesteld op Bediening A of Bediening B.

4. Kanaal (bedieningsmodus)

Geeft het huidige kanaal in gebruik en de signaalkwaliteit weer. Er zijn twee statussen, waaronder sterk (groen) en zwak (rood). Druk tweemaal op de menu-draaiknop om snel het kanaal te wisselen.

5. Signaalsterkte en bitsnelheid van videotransmissie

Geeft de signaalsterkte en bitsnelheid van de videotransmissie weer. Er zijn drie statussen voor de signaalsterkte van de videotransmissie, waaronder sterk (groen), matig (oranje) en zwak (rood).

6. Apparaatnummer



Geeft in de uitzendmodus het apparaatnummer van het zenderapparaat weer. Druk tweemaal op de menuknop om de laatst opgenomen zoekresultaten in de uitzendmodus te bekijken. Schakel vervolgens tussen apparaten of vernieuw de zoekresultaten.

7. Kanaal (uitzendmodus)

Geeft het kanaal in gebruik weer. Bekijk de signaalkwaliteit van elk kanaal in het menu.

Menu

Druk op het startscherm op de menu-draaiknop op de video-ontvanger om het menu te openen en de volgende configuratie en bewerkingen uit te voeren. Draai of druk op de draaiknop om instellingen in het menu te selecteren of te bevestigen. Druk eenmaal op de terug-knop om terug te keren naar het vorige scherm.

Verbinding	Selecteer de bedieningsmodus of de uitzendmodus. Wanneer de bedieningsmodus is geselecteerd, moet het apparaat dat in gebruik is worden ingesteld op Bediening A of Bediening B.
Kanaal	Bekijk in de bedieningsmodus de signaalkwaliteit van elk kanaal en selecteer het kanaal. In de uitzendmodus kunt u de signaalkwaliteit van elk kanaal alleen bekijken om de kanaalselectie in het zendapparaat te ondersteunen.
Apparaatnummer	Dit menu verschijnt alleen in de uitzendmodus. De laatste zoekresultaten in de uitzendmodus worden weergegeven nadat u het menu hebt geopend. Schakel tussen apparaten of vernieuw de zoekresultaten.
Ventilatormodus	Stel de ventilatormodus in op Standaard of Geluidsarm.  Als geluidsarm is geselecteerd, schakelt de ventilatormodus automatisch over naar standaard wanneer de temperatuur van het apparaat te hoog is.
Type-C-functie	Selecteer USB wanneer u de USB-C-poort gebruikt voor de firmware-update in DJI Assistant 2. In de bedieningsmodus stelt u de Type-C-functie op zowel de zender als de ontvanger in op Spraakoproep en sluit u een hoofdtelefoon met een ingebouwde microfoon aan op de USB-C-poorten om spraakoproepen tussen de zender en de ontvanger mogelijk te maken. Gebruik de volumeknoppen op de hoofdtelefoon om het volume voor spraakoproepen aan te passen.  Bekijk de compatibele hoofdtelefoons op de pagina "Veelgestelde vragen" van de productpagina op de officiële DJI-website. Andere 48kHz/16-bits digitale hoofdtelefoons worden ook ondersteund.
Lage latentie	Indien ingeschakeld, wordt de framesnelheid omgezet naar 60 fps.
Taal	Selecteer de systeemtaal in de taallijst.
Apparaatinfo	Bekijk informatie zoals het serienummer van het apparaat en de firmwareversie.

Bijlage

Firmware-update

Update de video-ontvanger met behulp van de DJI Assistant 2 (Ronin-serie) software.

1. Schakel het apparaat in. Zorg ervoor dat de Type-C-functie in het menu op USB is ingesteld. Sluit het apparaat aan op een computer met een USB-C-kabel.
2. Start DJI Assistant 2 (Ronin-serie) en meld u aan met een DJI-account.
3. Selecteer het apparaat en klik op Firmware Update aan de linkerzijde van het scherm.
4. Selecteer de firmwareversie.
5. De firmware wordt automatisch gedownload en geüpdatet.
6. Nadat de firmware-update is voltooid, wordt het apparaat automatisch opnieuw opgestart.

Technische gegevens

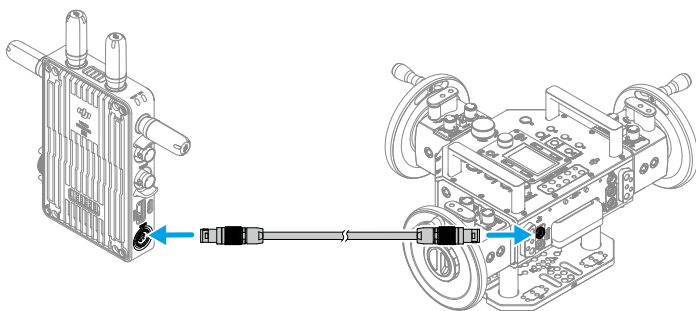
Gewicht	Ongeveer 350 g (alleen ontvanger, excl. antennes)
Afmetingen	127×87×26 mm (excl. antennes)
Gebruiksfrequentie ^[1]	2.4000-2.4835 GHz, 5.150-5.250 GHz, 5.250-5.350 GHz, 5.470-5.725 GHz, 5.725-5.850 GHz
Zendervermogen (EIRP)	2.4 GHz: <33 dBm (FCC), <20 dBm (SRRC/CE/MIC) 5.8 GHz: <33 dBm (FCC), <14 dBm (CE), <23 dBm (SRRC)
Stroomverbruik	9 W
Voedingsspanning	6-18 V
Uitgangsspanning	6-18 V
Accuduur ^[2]	3 uur en 50 minuten
Uitgang video-formaat	<ul style="list-style-type: none">• Bij gebruik met de DJI-videozender: 1080p: 23.98/24/25/29.97/30/50/59.94/60 fps 720p: 50/59.94/60 fps• Bij gebruik met Ronin 4D: 1080p: 24/25/30/50/60 fps
Uitgang audio-formaat	SDI ingebouwd, HDMI ingebouwd
Videotransmissiesysteem	O3 Pro
Max. bitrate	40 Mbps
Latentie	70 ms (1080p 60 fps)
Videocoderingsformaat	H.264
Max. zendbereik	6 km (FCC), 4 km (CE/SRRC/MIC) (onbelemmerd, vrij van interferentie)
Max. bandbreedte	40 MHz
Bedrijfstemperatuur ^[3]	-10 tot 45°C

- [1] Vanwege lokale regelgeving zijn de frequenties van 5.1/5.2/5.8 GHz in sommige landen verboden en zijn de frequenties van 5.1/5.2 GHz in sommige landen alleen toegestaan voor gebruik binnenshuis. 5.600-5.650 GHz wordt niet gebruikt.
- [2] Getest bij een kamertemperatuur van 25 °C (77 °F) en aangedreven door een volledig opgeladen WB37 Intelligent Battery en gebruikt met de DJI High-videozender.
- [3] Bij gebruik van de WB37 Intelligent Battery wordt aanbevolen om het apparaat te gebruiken bij een temperatuur boven 0 °C. Neem maatregelen om de accu warm te houden wanneer het wordt gebruikt bij een temperatuur onder 0 °C.

Andere besturingsapparaten gebruiken

Sluit de DJI Master Wheels aan op de video-ontvanger om het zenderapparaat op afstand te bedienen.

Verbinding: sluit de DC-OUT-poort op de DJI Master Wheels aan op de DC-IN-poort op de video-ontvanger met behulp van de DJI High-Bright externe monitorbedieningskabel.



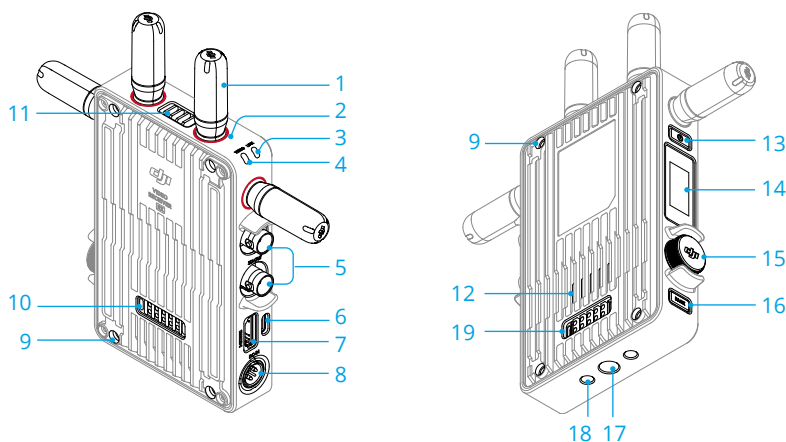
Exoneração de Responsabilidade e Aviso

Leia atentamente este documento na íntegra e todas as práticas seguras e legais indicadas antes de utilizar o produto.

Introdução

O recetor de vídeo DJI™ inclui transmissão de vídeo O3 Pro da DJI e recebe sinais de vídeo do transmissor. Num ambiente sem interferências ou obstruções, o recetor de vídeo fornece transmissão de vídeo com um alcance máximo de transmissão de 6 km*, uma taxa de bits de até 40 Mbps e uma latência mínima de ponta a ponta de 70 ms. Suporta múltiplas bandas de frequência nos modos de controlo e de emissão e emite vários sinais de vídeo, em simultâneo, para dispositivos de visualização para monitorização remota. Quando utilizado com o transmissor de vídeo DJI ou DJI Ronin 4D, o recetor de vídeo pode cumprir os requisitos de filmagem de meios como filmes, séries de TV, anúncios e documentários.

* Medido com o sistema de controlo de transmissão de vídeo no modo de controlo (modo de emissão desativado no dispositivo transmissor) num ambiente desobstruído, sem interferências, em conformidade com a FCC.



1. Antenas amovíveis

Transmitem o sinal sem fios.

2. Marcas de cor

Utilizadas para identificar o recetor e o transmissor. O recetor é identificado pelas marcas de cor vermelha. Os utilizadores também podem colocar nos dispositivos, os autocolantes de identificação coloridos incluídos na embalagem.

3. Indicador de estado de ligação

Mostra o estado da ligação entre o recetor e o transmissor. Consulte a secção Ligação para obter mais informações sobre os padrões de intermitência.

4. Indicador de Estado de Vídeo

Indica se o transmissor está a emitir um sinal de vídeo para o recetor. Verde fixo indica que existe uma transmissão de sinal de vídeo, enquanto o vermelho fixo indica que não existe transmissão de sinal de vídeo.

5. Portas de saída SDI

Emitem o sinal de vídeo.

6. Porta USB-C

Ligue ao software DJI Assistant 2 (série Ronin) utilizando um cabo USB-C para ativar o dispositivo e atualizar o firmware. Ligue os auscultadores com um microfone incorporado para chamadas de voz. É necessário definir a função Tipo-C no receptor antes da utilização. Consulte a secção Menu para obter mais informações.

7. Porta HDMI (Tipo A)

Emite o sinal de vídeo.

8. Porta DC-IN

Fornece energia ao recetor de vídeo utilizando o cabo de alimentação fornecido. Tensão 6-18 V e corrente máxima 2 A.

9. Orifícios do parafuso M4


Montagem do adaptador de bateria ou outros adaptadores para expansão.

10. Porta de saída de energia

Fornece energia a um dispositivo externo.

11. Ventilação

12. Entrada de ar

 • NÃO cubra a saída de ar, a entrada de ar ou ambos os lados do adaptador da bateria se montado. Caso contrário, o desempenho do dispositivo pode ser afetado devido ao sobreaquecimento.

13. Botão de alimentação

Prima uma vez para ligar. Prima continuamente para desligar.

14. Ecrã de visualização

Apresenta o estado do dispositivo e o menu.

15. Seletor do menu

Rode ou prima o seletor para selecionar ou confirmar as definições no menu. Veja os detalhes abaixo.

Prima uma vez: entrar no menu a partir do ecrã inicial ou confirmar as definições no menu.

Rode: alternar entre opções.

Prima sem soltar: introduzir o estado de ligação (modo de controlo) ou procurar dispositivos (modo de difusão).

Prima duas vezes: no ecrã inicial, seleccione o canal (modo de controlo) ou o número do dispositivo (modo de difusão).

16. Botão Voltar

Prima para voltar ao ecrã anterior do menu.

17. Orifício do parafuso 3/8"-16

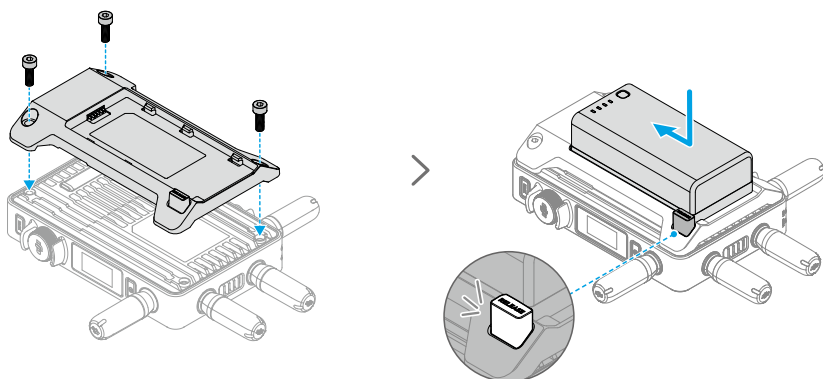
18. Orifícios do parafuso 1/4"-20

19. Porta de entrada alimentação externa

Monte o adaptador da bateria e a bateria compatível para fornecer energia ao recetor de vídeo.

Instalação e ligação

Montar a Bateria Inteligente WB37



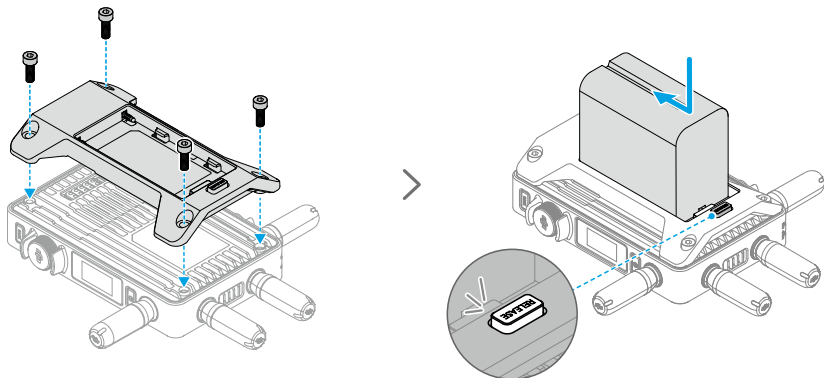
Antes da primeira utilização, ative a bateria WB37 carregando-a com o Terminal de carregamento da bateria WB37 (USB-C). Consulte o Manual do Utilizador do terminal de carregamento da bateria (USB-C) WB37 para obter mais informações.

1. Monte o adaptador da bateria WB37 na parte traseira do recetor de vídeo e aperte os três parafusos M4×12.
2. Insira a bateria WB37 no compartimento da bateria do recetor de vídeo. Certifique-se de que o botão de libertação da bateria se eleva e que a bateria encaixa no lugar.

⚠ • Certifique-se de que utiliza a bateria WB37 dentro do intervalo de temperatura de funcionamento. NÃO desmonte nem perfure a bateria de forma alguma. Caso contrário, a bateria pode ter uma fuga, incendiar-se ou explodir. Consulte as diretrizes de segurança da bateria inteligente WB37 para obter mais informações.

Prima continuamente o botão de libertação e empurre a bateria na direção oposta para a remover.

Montagem da bateria da série NP-F

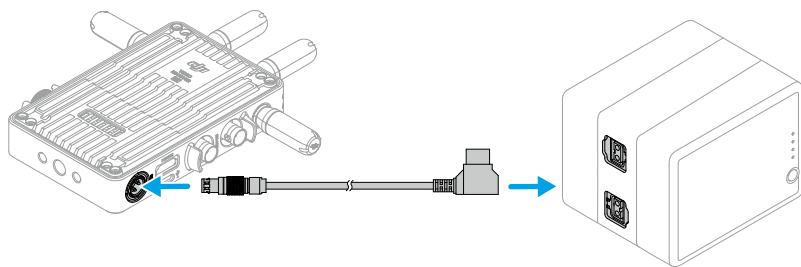


1. Monte o adaptador de bateria NP-F na parte traseira do recetor de vídeo e aperte os quatro parafusos M4×12.
2. Insira a bateria da série NP-F no compartimento da bateria do recetor de vídeo. Certifique-se de que o botão de libertação da bateria se eleva e que a bateria encaixa no lugar.

Prima continuamente o botão de libertação e empurre a bateria na direção oposta para a remover.

Ligar a CC ao cabo de alimentação P-Tap

Pode ser utilizada uma bateria com uma porta P-Tap para fornecer energia ao recetor de vídeo. Utilize o cabo de alimentação CC para P-Tap fornecido para ligar a porta P-Tap da bateria e a porta CC do recetor de vídeo.



Ativação

É necessária a ativação quando utilizar o recetor de vídeo pela primeira vez. Ligue o recetor de vídeo e conecte-o a um computador com um cabo USB-C. Inicie o DJI Assistant 2 (série Ronin), clique no ícone do dispositivo correspondente e siga as instruções no ecrã para ativar o dispositivo.

Descarregue o software em: <https://www.dji.com/transmission/downloads>

Ligação

O recetor de vídeo tem de estar ligado ao dispositivo transmissor antes da utilização. O sistema de transmissão de vídeo do recetor de vídeo disponibiliza o modo de controlo e o modo de emissão, para ligação entre o recetor de vídeo e o dispositivo transmissor, que utilizam diferentes métodos de ligação. Consulte a secção seguinte para obter instruções e descrições dos indicadores de estado de ligação.

Modo de controlo

No modo de controlo (com o modo de emissão desativado no dispositivo transmissor), o sistema de transmissão de vídeo tem uma distância de transmissão maior, anti-interferências mais fortes e maior seletividade dos canais. O dispositivo transmissor também pode receber o sinal de controlo do recetor de vídeo se ligar um acessório DJI Pro, como o DJI Master Wheels ao recetor de vídeo para controlo remoto.



1. Ligue o recetor de vídeo. Prima o seletor do menu no recetor de vídeo para entrar no menu.
2. Prima o seletor para entrar no menu Ligar, rode o seletor para selecionar Controlo no menu e prima o seletor para confirmar. Selecione para definir o recetor de vídeo para Controlo A ou Controlo B e prima novamente o seletor para confirmar. O ecrã mostra A Ligar e o indicador de estado da ligação pisca alternadamente a vermelho e verde, indicando que o dispositivo está a ligar.

-
- Se o recetor de vídeo estiver no modo de Controlo e estiver definido para o Controlo A ou Controlo B pretendido, prima sem soltar o seletor do menu diretamente para entrar na ligação.
 - Se forem ligados dois recetores de vídeo ao mesmo dispositivo transmissor, ligue primeiro ao recetor de vídeo Controlo A e depois ligue ao recetor de vídeo Controlo B.
-

3. Utilizar o transmissor de vídeo DJI:

Ligue o transmissor de vídeo DJI. Prima sem soltar o seletor do menu no transmissor de vídeo para introduzir o estado de ligação. O indicador de estado da ligação do transmissor de vídeo pisca a vermelho e verde alternadamente, indicando que o dispositivo está a ligar.

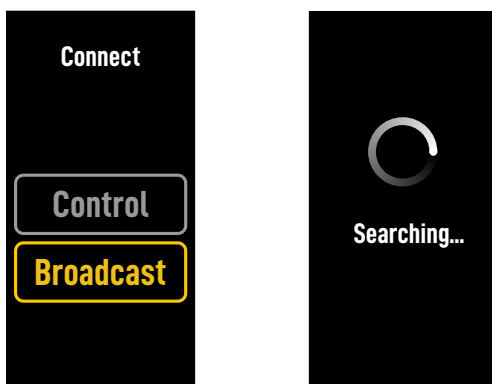
Utilizar o transmissor de vídeo DJI Ronin 4D:

Para iniciar a ligação, mantenha premido o botão de ligação no transmissor de vídeo Ronin 4D ou vá para o menu no Monitor principal de alto brilho Ronin 4D, toque em Transmissão e depois em Ligar dispositivo. O indicador de estado da ligação do transmissor de vídeo pisca a vermelho e verde alternadamente, indicando que o dispositivo está a ligar.

4. Quando a ligação estiver concluída, o indicador de estado de ligação no recetor de vídeo fica aceso com uma luz verde fixa e o recetor de vídeo pode comunicar com o dispositivo transmissor.

Modo de emissão

No modo de emissão, é possível ligar um número ilimitado de recetores de vídeo utilizados como dispositivos de monitorização ao dispositivo transmissor. Em cenários que utilizam vários dispositivos transmissores, os recetores de vídeo no modo de emissão podem selecionar rapidamente o dispositivo transmissor desejado para obter a monitorização multicanal.



1. Ligue o recetor de vídeo. Prima o seletor do menu no recetor de vídeo para entrar no menu.
2. Prima o seletor para entrar no menu Ligar, rode o seletor para selecionar Emissão no menu e, em seguida, prima o seletor para confirmar.
3. Aguarde que os resultados da pesquisa sejam concluídos e selecione um dispositivo para ligação.

💡 • No modo de emissão, prima sem soltar o seletor para atualizar os resultados da pesquisa.

Indicador de estado de ligação

Indicador de estado de ligação	Descrição
Luz vermelha continuamente acesa	Dispositivo iniciado, não ligado.
Luzes vermelha e verde a piscar alternadamente	A ligar.
Luz verde continuamente acesa	Ligação bem-sucedida no modo Controlo. A transmissão de vídeo sem fios está normal. Modo de transmissão ativado.
Luz vermelha a piscar	Avaria do dispositivo. Contacte DJI Support.

Operações do ecrã de visualização

Ecrã de página inicial



1. Especificações de vídeo

Apresenta a resolução e a taxa de fotogramas da entrada do dispositivo transmissor.

2. Tensão da fonte de alimentação

Apresenta a tensão da bateria ou da entrada de alimentação CC.

3. Dispositivo de controlo

No modo Controlo, mostra se o recetor de vídeo está definido para Controlo A ou Controlo B.

4. Canal (Modo de Controlo)

Apresenta o canal atualmente em utilização e qualidade de sinal respetiva. Existem dois estados; forte (verde) e fraco (vermelho). Prima duas vezes o seletor do menu para uma mudança rápida do canal.

5. Intensidade do Sinal de Transmissão de Vídeo e Taxas de Bits

Apresenta a intensidade do sinal de transmissão de vídeo e taxas de bits. A força do sinal de transmissão de vídeo tem três estados; forte (verde), moderada (laranja) e fraca (vermelho).

6. Número do dispositivo



No modo de emissão, apresenta o número do dispositivo do transmissor. Prima duas vezes o seletor do menu para visualizar os resultados da última pesquisa gravada no modo de emissão e, em seguida, alterne entre dispositivos ou atualize os resultados da pesquisa.

7. Canal (Modo de emissão)

Apresenta o canal em utilização. Visualize a qualidade do sinal de cada canal no menu.

Menu

No ecrã de página inicial, prima o seletor do menu no recetor de vídeo para entrar no menu e executar a configuração e operações indicadas a seguir. Rode ou prima o seletor para seleccionar ou confirmar as definições no menu. Prima o botão de retrocesso para voltar ao ecrã anterior.

Ligar	Selecione o modo de Controlo ou o modo de Emissão. Quando o modo de controlo é selecionado, é necessário definir o dispositivo em utilização para Controlo A ou Controlo B.
Canal	No modo de controlo, visualize a qualidade do sinal de cada canal e seleccione o canal. No modo de Emissão, visualize a qualidade do sinal de cada canal apenas para auxiliar na seleção do canal no dispositivo transmissor.
Número do dispositivo	Este menu aparece apenas no modo de emissão. Depois de entrar no menu são apresentados os últimos resultados de pesquisa no modo de emissão. Alterne entre dispositivos ou atualize os resultados da pesquisa.
Modo da ventoinha	Defina o modo da ventoinha para Normal ou Silencioso.  Se seleccionar Silencioso, o modo de ventoinha muda automaticamente para Normal quando a temperatura do dispositivo for demasiado elevada.
Função Tipo C	Selecione USB quando utilizar a porta USB-C para a atualização do firmware no DJI Assistant 2. No modo de controlo, defina a função Tipo C no transmissor e no recetor para Chamada de voz e ligue os auscultadores com um microfone incorporado às portas USB-C para ativar as chamadas de voz entre o transmissor e o recetor. Utilize os botões de volume dos auscultadores para ajustar o volume das chamadas de voz.  Veja os auscultadores compatíveis na página FAQ da página do produto no website oficial da DJI. Também são suportados outros auscultadores digitais de 48kHz/16 bits.
Latência baixa	Quando ativada, a velocidade de disparo é convertida para 60 fps.
Idioma	Selecione o idioma do sistema na lista de idiomas.
Informações do dispositivo	Veja informações como o SN do dispositivo e a versão do firmware.

Apêndice

Atualização de firmware

Atualize o recetor de vídeo utilizando o software DJI Assistant 2 (série Ronin).

1. Ligue o dispositivo. Certifique-se de que a função Tipo-C está definida para USB no menu. Ligue o dispositivo a um computador com um cabo USB-C.
2. Inicie o DJI Assistant 2 (série Ronin) e inicie sessão numa conta DJI.
3. Selecione o dispositivo e clique em Atualizar firmware no lado esquerdo do ecrã.
4. Selecione a versão de firmware.
5. O firmware será transferido e atualizado automaticamente.
6. O dispositivo será reiniciado automaticamente após a atualização do firmware estar concluída.

Especificações

Peso	Aprox. 350 g (apenas recetor, excluindo antenas)
Dimensões	127×87×26 mm (excl. antenas)
Frequência de funcionamento ^[1]	2,4000-2,4835 GHz, 5,150-5,250 GHz, 5,250-5,350 GHz, 5,470-5,725 GHz, 5,725-5,850 GHz
Potência de emissão do transmissor (EIRP)	2,4 GHz: <33 dBm (FCC), <20 dBm (SRRC/CE/MIC) 5,8 GHz: <33 dBm (FCC), <14 dBm (CE), <23 dBm (SRRC)
Consumo de energia	9 W
Tensão da fonte de alimentação	6-18 V
Tensão de saída	6-18 V
Duração da bateria ^[2]	3 horas e 50 minutos
Formato de vídeo de saída	• Quando utilizado com o transmissor de vídeo DJI: 1080p: 23,98/24/25/29,97/30/50/59,94/60 fps 720p: 50/59,94/60 fps • Quando utilizado com Ronin 4D: 1080p: 24/25/30/50/60 fps
Formato de áudio de saída	SDI incorporado, HDMI incorporado
Sistema de transmissão de vídeo	O3 Pro
Taxa de bits máxima	40 Mbps
Latência	70 ms (1080 p 60 fps)
Formato de codificação de vídeo	H.264
Distância máxima de transmissão	6 km (FCC), 4 km (CE/SRRC/MIC) (desobstruída, sem interferências)
Largura de banda máxima	40 MHz
Temperatura de funcionamento ^[3]	-10 °C a 45 °C (14 °F a 113 °F)

[1] Devido aos regulamentos locais, as frequências de 5,1/5,2/5,8 GHz são proibidas em alguns países

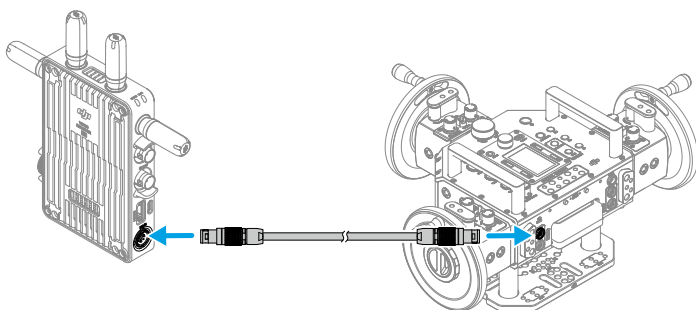
e as frequências de 5,1/5,2 GHz só podem ser utilizadas em espaços interiores em alguns países. As frequências de 5,600-5,650 GHz não são utilizadas.

- [2] Testado a uma temperatura ambiente de 25 °C (77 °F) quando alimentado por uma bateria inteligente WB37 totalmente carregada e utilizado com o transmissor de vídeo DJI.
- [3] Quando utilizar a bateria inteligente WB37, recomenda-se que utilize o dispositivo a uma temperatura superior a 0 °C. Tome medidas para manter a bateria quente quando utilizar a uma temperatura inferior a 0 °C.

Utilização de outros dispositivos de controlo

Ligue as DJI Master Wheels ao recetor de vídeo para controlar remotamente o dispositivo de transmissão.

Ligação: ligue a porta DC-OUT de DJI Master Wheels à porta DC-IN do recetor de vídeo utilizando o cabo do controlador do monitor remoto de alto brilho DJI.



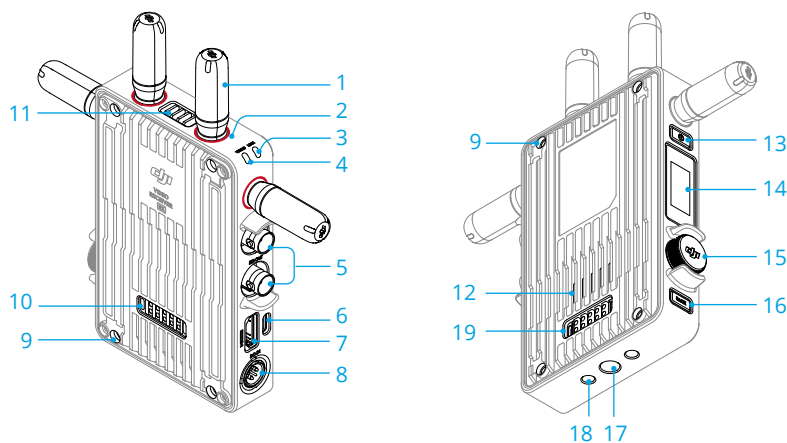
Отказ от ответственности и предупреждение

Внимательно ознакомьтесь с данным документом и правилами техники безопасности перед использованием продукта.

Введение

Видеоприемник DJI™ оснащен системой передачи видео DJI O3 Pro и получает видеосигналы от передатчика. В условиях без помех и препятствий видеоприемник обеспечивает передачу видеосигнала с максимальной дальностью 6 км*, битрейтом до 40 Мбит/с и минимальной задержкой сигнала 70 мс. Он поддерживает несколько диапазонов частот в режиме управления и телевещательном режиме, а также одновременно выводит несколько видеосигналов на устройства с дисплеем для удаленного управления. При использовании с видеопередатчиком DJI или видеопередатчиком DJI Ronin 4D видеоприемник может удовлетворять требованиям съемки фильмов, сериалов, рекламы и документальных фильмов.

* Измерено при работе системы управления видеопередачей в режиме управления (при этом телевещательный режим на передающем устройстве должен быть включен) и на открытой местности без помех в соответствии с требованиями FCC.



1. Съемные антенны

Передача беспроводного сигнала.

2. Цветовые отметки

Используются для определения приемника и передатчика. Приемник определяется отметками красного цвета. Пользователи также могут обозначать устройства с помощью разноцветных наклеек из комплекта.

3. Индикатор статуса сопряжения

Отображает состояние подключения между приемником и передатчиком. Подробная информация о характере мигания приведена в разделе «Сопряжение».

4. Индикатор состояния видеосигнала

Определяет наличие или отсутствие видеосигнала, исходящего из передатчика в приемник. Непрерывный зеленый цвет указывает на наличие передачи видеосигнала, а непрерывный красный свет — на его отсутствие.

5. Порты выхода SDI

Выход видеосигнала.

6. Порт USB-C

Подключитесь к ПО DJI Assistant 2 (серия Ronin) с помощью кабеля USB-C для активации устройства и обновления ПО. Подключите наушники со встроенным микрофоном для голосовых вызовов. Перед использованием требуется задать функцию Туре-С приемника. Подробная информация приведена в разделе «Меню».

7. Порт HDMI (тип A)

Выходы видеосигнала.

8. Разъем DC-in

Подает питание в видеоприемник с помощью кабеля питания из комплекта. Напряжение 6–18 В и макс. ток 2 А.

9. Винтовые отверстия M4

Служат для крепления адаптера аккумулятора или других адаптеров для расширения функциональности.

10. Выходной порт питания

Подает питание во внешнее устройство.

11. Вентиляционное отверстие

12. Воздухозаборник



• НЕ закрывайте вентиляционное отверстие, воздухозаборник или обе стороны адаптера аккумулятора при установке. В противном случае работа устройства может ухудшиться из-за перегрева.

13. Кнопка питания

Нажмите один раз для включения. Нажмите и удерживайте, чтобы выключить.

14. Дисплей

Отображает состояние и меню устройства.

15. Колесико меню

Поверните или нажмите колесико, чтобы выбрать или подтвердить настройки в меню. Подробная информация представлена ниже.

Одно нажатие: переход в меню с главного экрана или подтверждение настроек в меню.

Поворот: переключение между опциями.

Нажатие и удерживание: переход в состояние сопряжения (режим управления) или поиск устройств (телевещательный режим).

Двойное нажатие: выбор канала (режим управления) или номера устройства (телевещательный режим) на главном экране.

16. Кнопка возврата

Нажмите, чтобы вернуться на предыдущий экран меню.

17. Винтовое отверстие 3/8"-16

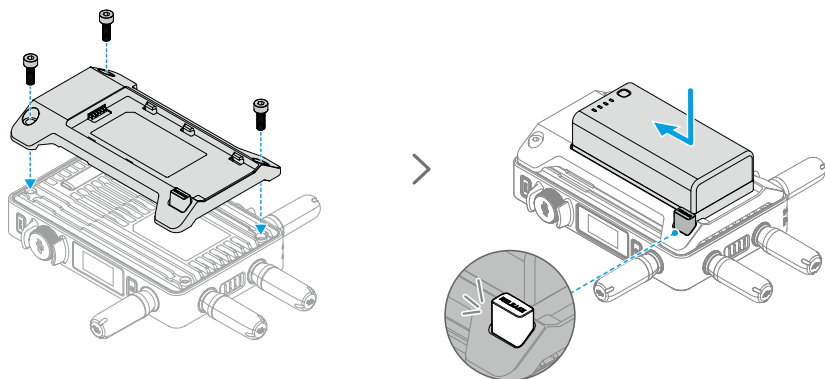
18. Винтовые отверстия 1/4"-20

19. Порт для внешнего питания

Установите адаптер аккумулятора и совместимый аккумулятор для питания видеоприемника.

Установка и подключение

Установка аккумулятора Intelligent Battery WB37



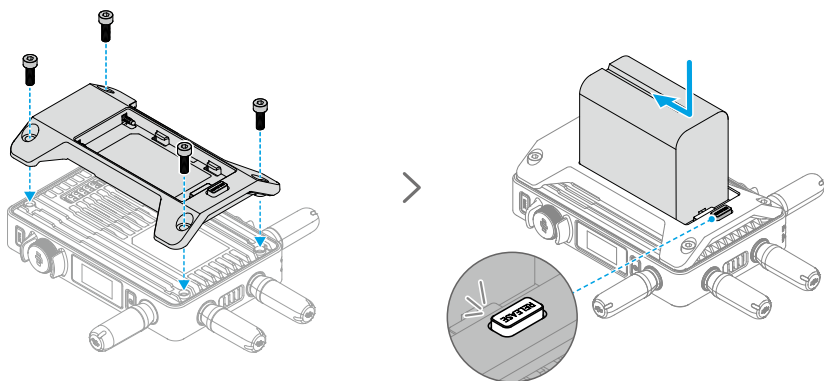
Перед первым использованием активируйте аккумулятор WB37, зарядив его с помощью зарядного концентратора для аккумуляторов WB37 (USB-C). Для получения более подробной информации обратитесь к руководству пользователя зарядного концентратора для аккумуляторов WB37 (USB-C).

1. Установите адаптер аккумулятора WB37 на задней панели видеоприемника и затяните три винта M4×12.
2. Установите аккумулятор WB37 в аккумуляторный отсек видеоприемника. Убедитесь, что кнопка отсоединения аккумулятора выскочила и аккумулятор надежно зафиксирован.

⚠ • При использовании аккумулятора WB37 убедитесь, что он находится в диапазоне рабочих температур. НЕ разбирайте и НЕ протыкайте аккумулятор. В противном случае может произойти протечка, возгорание или взрыв. Более подробная информация приведена в Инструкции по технике безопасности аккумулятора Intelligent Battery WB37.

Нажмите и удерживайте кнопку отсоединения и протолкните аккумулятор в противоположном направлении, чтобы снять его.

Установка аккумулятора серии NP-F

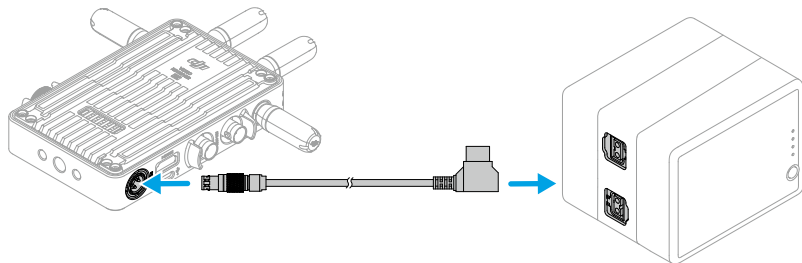


1. Установите адаптер аккумулятора NP-F на задней панели видеоприемника и затяните четыре винта M4×12.
2. Установите аккумулятор серии NP-F в аккумуляторный отсек видеоприемника. Убедитесь, что кнопка отсоединения аккумулятора выскочила и аккумулятор надежно зафиксирован.

Нажмите и удерживайте кнопку отсоединения и протолкните аккумулятор в противоположном направлении, чтобы снять его.

Подключение кабеля питания DC – P-Tap

Для питания видеоприемника может использоваться аккумулятор с разъемом P-Tap. Для подключения разъема P-Tap аккумулятора и разъема DC-in видеоприемника используйте кабель питания DC – P-Tap из комплекта.



Активация

При первом использовании видеоприемник необходимо активировать. Включите видеоприемник и подключите его к компьютеру с помощью кабеля USB-C. Запустите DJI Assistant 2 (серия Ronin), нажмите на значок соответствующего устройства и следуйте инструкциям на экране, чтобы активировать устройство.

Скачайте ПО по ссылке: <https://www.dji.com/transmission/downloads>

Сопряжение

Перед использованием необходимо подключить видеоприемник к передающему устройству. Система видеопередачи видеоприемника работает в режиме управления или в телевещательном режиме для подключения между видеоприемником и передающим устройством, которые используют различные методы сопряжения. Инструкции и описание индикаторов статуса сопряжения находятся в следующем разделе.

Режим управления

В режиме управления (с выключенным телевещательным режимом на передающем устройстве) система видеопередачи имеет большее расстояние передачи, более эффективную защиту от помех и более широкий выбор каналов. Передающее устройство также может получать сигнал управления от видеоприемника при подключении аксессуара DJI Pro, такого как DJI Master Wheels, к видеоприемнику для удаленного управления.



1. Включите видеоприемник. Нажмите колесико меню на видеоприемнике, чтобы открыть меню.
2. Нажмите на колесико, чтобы перейти в меню подключения, поверните колесико для выбора «Управление» в меню и нажмите на колесико для подтверждения. Задайте значение «Управление А» или «Управление Б» для видеоприемника и нажмите колесико еще раз, чтобы подтвердить выбор. На дисплее отобразится надпись «Сопряжение», а индикатор состояния сопряжения начнет мигать красным и зеленым поочередно, обозначая сопряжение устройства.

-
- Если видеоприемник находится в режиме управления, и для него установлено требуемое значение «Управление А» или «Управление Б», нажмите и удерживайте колесико меню, чтобы сразу перейти к сопряжению.
 - Если два видеоприемника будут подключены к одному передающему устройству, сначала выполните сопряжение с видеоприемником «Управление А», а затем с видеоприемником «Управление Б».
-

3. Использование видеопередатчика DJI:

Включите видеопередатчик DJI. Нажмите и удерживайте колесико меню на видеопередатчике, чтобы перейти в состояние сопряжения. Индикатор статуса сопряжения на видеопередатчике начнет поочередно мигать красным и зеленым. Это означает, что идет сопряжение устройства.

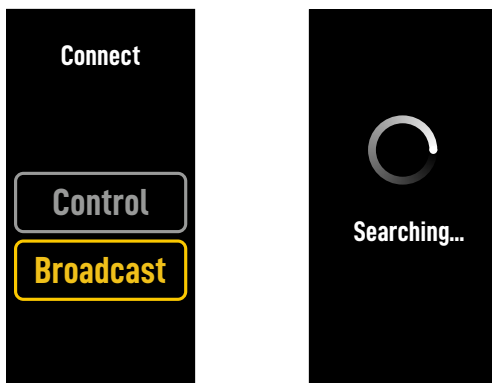
Использование видеопередатчика DJI Ronin 4D:

Чтобы начать сопряжение, удерживайте кнопку сопряжения на видеопередатчике для Ronin 4D или перейдите в меню на главном мониторе высокой яркости Ronin 4D, коснитесь «Передача», а затем «Сопряжение устройства». Индикатор статуса сопряжения на видеопередатчике начнет поочередно мигать красным и зеленым. Это означает, что идет сопряжение устройства.


4. Когда сопряжение будет завершено, индикатор состояния сопряжения на видеоприемнике загорится зеленым, а видеоприемник сможет обмениваться данными с передающим устройством.

Телевещательный режим

В телевещательном режиме к передающему устройству можно подключить неограниченное число видеоприемников, используемых в качестве устройств управления. При использовании нескольких передающих устройств в телевещательном режиме видеоприемники могут быстро выбрать необходимое передающее устройство для достижения многоканального управления.



1. Включите видеоприемник. Нажмите колесико меню на видеоприемнике, чтобы открыть меню.
2. Нажмите на колесико, чтобы перейти в меню подключения, поверните колесико для выбора «Телевещательный» в меню, а затем нажмите на колесико для подтверждения.
3. Дождитесь завершения операции поиска и выберите устройство, которое нужно подключить.

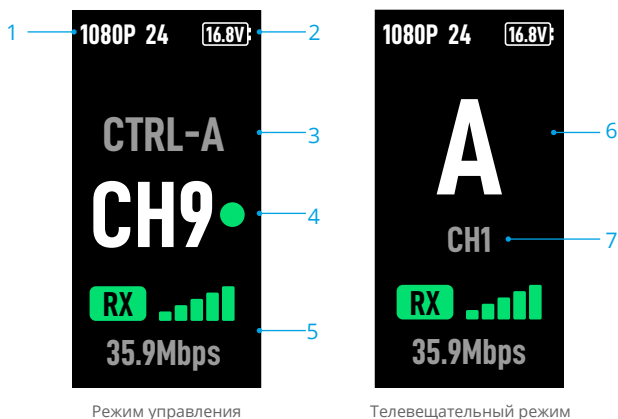
 • В телевещательном режиме нажмите и удерживайте колесико, чтобы обновить результаты поиска.

Индикатор статуса сопряжения

Индикатор статуса сопряжения	Описание
Постоянно горит красным	Устройство включено, но не подключено.
Попеременное мигание красным и зеленым	Идет сопряжение.
Постоянно горит зеленым	Выполнено сопряжение в режиме управления. Беспроводная передача видео проходит нормально. Включен телевещательный режим.
Мигает красным	Неверная работа устройства. Обратитесь в службу поддержки DJI.

Управление дисплеем

Главный экран



1. Технические характеристики видео

Отображает разрешение и скорость кадров на входе с передающего устройства.

2. Напряжение источника питания

Отображает напряжение аккумулятора или мощность на входе DC-in.

3. Устройство управления

В режиме управления отображает, установлен ли видеоприемник на «Управление А» или «Управление Б».

4. Канал (режим управления)

Отображает используемый в текущий момент канал и качество его сигнала. Сигнал имеет два состояния: сильный (зеленый) и слабый (красный). Нажмите колесико меню дважды, чтобы быстро переключить канал.

5. Мощность сигнала и битрейт видеопередачи

Отображает уровень сигнала передачи видео и битрейт. Существует три состояния мощности сигнала передачи видео: сильный (зеленый), средний (оранжевый) и слабый (красный).

6. Номер устройства

В телевещательном режиме отображает номер передающего устройства. Нажмите на колесико меню дважды, чтобы просмотреть последние записанные результаты поиска в телевещательном режиме, а затем переключитесь между устройствами или обновите результаты поиска.

7. Канал (телевещательный режим)

Отображает используемый канал. Просмотр качества сигнала каждого канала в меню.

Меню

На главном экране нажмите колесико меню на видеоприемнике, чтобы перейти в меню и выполнить следующую конфигурацию и действия. Поверните или нажмите колесико, чтобы выбрать или подтвердить настройки в меню. Нажмите кнопку возврата, чтобы вернуться на предыдущий экран.

Подключение	Выберите режим управления или телевещательный режим. При выборе режима управления требуется установить «Управление А» или «Управление Б» на используемом устройстве.
Канал	<p>В режиме управления просматривайте качество сигнала каждого канала и выберите канал.</p> <p>В телевещательном режиме просматривайте качество каждого канала только для облегчения выбора канала на передающем устройстве.</p>
Номер устройства	Это меню появится только в телевещательном режиме. Последние результаты поиска в телевещательном режиме отобразятся после перехода в меню. Переключитесь между устройствами или обновите результаты поиска.
Режим вентилятора	<p>Установите режим вентилятора на «Стандартный» или «Малозумный».</p> <p>💡 При выборе малозумного режима вентилятор переключится на стандартный режим автоматически, когда температура устройства станет слишком высокой.</p>
Функция Type-C	<p>При использовании разъема USB-C для обновления ПО в DJI Assistant 2 выберите USB.</p> <p>В режиме управления задайте функцию Type-C для передатчика и приемника на «Голосовой вызов» и подключите наушники со встроенным микрофоном к разъемам USB-C, чтобы активировать голосовые вызовы между передатчиком и приемником. Для изменения громкости голосовых вызовов используйте кнопки громкости на наушниках.</p> <p>💡 Список совместимых наушников приведен на странице часто задаваемых вопросов соответствующего продукта на официальном сайте DJI. Также поддерживаются другие цифровые наушники 48 кГц/16 бит.</p>
Низкая задержка сигнала	При включении скорость преобразуется в 60 кадров/с.
Язык	Выберите язык системы из списка.
Информация об устройстве	Просмотр такой информации, как серийный номер устройства и версия ПО.

Приложение

Обновление ПО

Обновите видеоприемник с помощью ПО DJI Assistant 2 (серия Ronin).

1. Включите устройство. Убедитесь, что функция Type-C задана на USB в меню. Подключите устройство к компьютеру с помощью кабеля USB-C.
2. Запустите DJI Assistant 2 (серия Ronin) и войдите в учетную запись DJI.
3. Выберите устройство и нажмите «Обновить ПО» с левой стороны экрана.
4. Выберите версию ПО.
5. ПО будет автоматически загружено и обновлено.
6. Устройство автоматически выполнит перезагрузку после обновления ПО.

Технические характеристики

Масса	Приблизительно 350 г (только приемник, без антенн)
Размеры	127 × 87 × 26 мм (без антенн)
Диапазон рабочих частот	2,4000–2,4835 ГГц
Мощность передатчика (ЭИИМ)	2,4 ГГц: < 33 дБм (FCC), < 20 дБм (SRRC/CE/MIC)
Потребляемая мощность	9 Вт
Напряжение источника питания	6–18 В
Выходное напряжение	6–18 В
Срок службы аккумулятора ^[1]	3 часа 50 минут
Видеоформат на выходе	<ul style="list-style-type: none">• При использовании с видеопередатчиком DJI: 1080p: 23,98/24/25/29,97/30/50/59,94/60 кадров/с 720p: 50/59,94/60 кадров/с• При использовании с Ronin 4D: 1080p: 24/25/30/50/60 кадров/с
Аудиоформат на выходе	SDI встроенный, HDMI встроенный
Система передачи видео	O3 Pro
Макс. битрейт	40 Мбит/с
Задержка сигнала	70 мс (1080p со скоростью 60 кадров/с)
Формат кодирования видео	H.264
Макс. дальность передачи сигнала	6 км (FCC), 4 км (CE/SRRC/MIC) (на открытом пространстве без помех)
Макс. пропускная способность	40 МГц
Диапазон рабочих температур ^[2]	от –10 до 45 °С

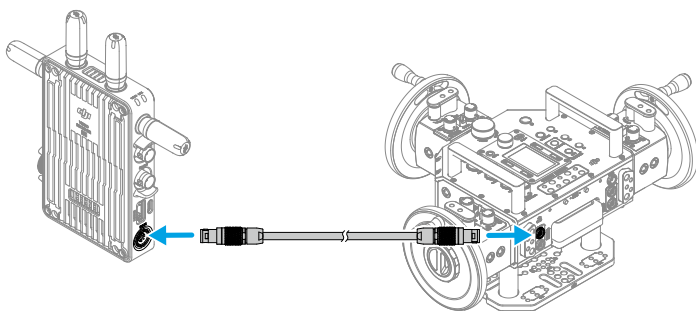
[1] Протестировано при комнатной температуре 25 °С при питании от полностью заряженного аккумулятора Intelligent Battery WB37 и использовании с видеопередатчиком DJI.

[2] При использовании аккумулятора Intelligent Battery WB37 рекомендуется поддерживать температуру работы устройства выше 0°С. Во время работы при температуре ниже 0°С постарайтесь согреть аккумулятор.

Использование других устройств управления

Подключите DJI Master Wheels к видеоприемнику, чтобы управлять передающим устройством удаленно.

Подключение: подключите порт DC-OUT на DJI Master Wheels к порту DC-IN на видеоприемнике с помощью кабеля контроллера удаленного монитора высокой яркости DJI.



WE ARE HERE FOR YOU

在线技术支持



Contact
DJI SUPPORT



微信扫一扫
获取技术支持



<https://www.dji.com/transmission/downloads>

This content is subject to change without prior notice.

If you have any questions about this document, please contact DJI by sending a message to DocSupport@dji.com.

DJI is a trade mark of DJI.

Copyright © 2023 DJI All Rights Reserved.