



Canon C100 Z-Finder and EVF Recoil Kit

The Z-Finder Recoil Rig includes our VCT Baseplate and a treaded bracket and support arm that is screwed to the C100 top handle providing attachment points and most importantly the support arm for the Z-Finder attached to the flip out screen. As the Z-finder position is not optimal for shoulder mounted operation, the VCT Baseplate is primarily used on a tripod, slider or dolly. The Canon C100 EVF Recoil adds the items needed to make this a shoulder mounted rig. It adds the Axis mount to the C100 handle bracket, and the Z-Mount Zwiwel Grip relocater.

Parts & Features

1 Universal VCT Baseplate (EVF and Z-Finder Recoil)

- 1 3/8"-16 Mounting Screw
- 1 1/4"-20 Mounting Screw
- 2 Ratcheting Levers
- 1 Rod Clamp Riser

- 2 Rear Rod Ports
- Side 1/4"-20 Mounting Holes
- 1 Tail Hook
- 1 VCT Wedge Plate
- 2 15mm Rods

- 1 5/32 & 9/64 Allen Wrench

1 C100 Z-Finder (Z-Finder Recoil)

- Z-Finder Pro 1.8x
- 1 Orientable Eyecup
- 1 Lens Cap
- 1 Focus Ring
- 1 1/4-20" Bracket Screw Hole
- 1 C100 Frame

1 C100 Bracket (Z-Finder Recoil)

- 1 Tie Down Knob
- 1 Ratcheting Lever
- 1 Tightening Knob

1 Grip Relocater with Z-Mount & Zwiwel (EVF Recoil)

- 1 Rod Port
- 1 Tightening Lever
- 2 Ratcheting Lever

1 C100 Bracket with Axis Mount (EVF Recoil)

- 1 Axis Mount with Ratcheting Lever
- 1 Tie Down Knob
- 1 Ratcheting Lever
- 1 Tightening Knob

For additional assembly and individual component features, see numerical figures.

Figure 4:a (EVF Recoil)

Figure 3:a (Z-Finder Recoil)

Back of C100 Z-Finder Recoil

Figure 1:a (EVF Recoil)

Figure 2:a (EVF Recoil)

Lever Usage

LEFT LOOSE RIGHT TIGHT

Pull knob out to reposition. Right Tight Left Loose

Figure 1:a Mounting Camera (EVF & Z-Finder Recoil)

- 1 From the bottom of the VCT Plate, screw the 1/4"-20 and 3/8"-16 mounting screw into the bottom your camera.
- 2 Before securing in place, add on accessories to be used to help find the true balance of your camera. Align both the VCT and camera's center of balance and secure mounting screw in place.

Camera Center of Balance

VCT Universal Baseplate Center of Balance

Figure 1:b Adjusting Rods (EVF & Z-Finder Recoil)

Attach rods to VCT Plate by loosening ratcheting levers, sliding rods into place and then re-tighten levers.

Adjust rod height by loosening both front allen screws equally. Slide rods up or down for desired position and relock allen screws.

Figure 1:c Mounting VCT Plate to VCT-14 Tripod Quick Release Plate (VCT-14 Sold Separately) (EVF & Z-Finder Recoil)

Mount VCT Plate to VCT-14 by sliding the front wedge into front slot of VCT-14 and the tail hook around the rear knob of VCT-14. The VCT-14 will click when the VCT Plate is locked into place.

Pull red lever on VCT-14 to release your Universal VCT Plate.

If needed the tail hook position can be raised or lowered. Loosen both allen screws equally, raise or lower tail hook and relock both allen screws when in desired position.

* An alternative mounting method when using a tripod without a VCT14, is to mount your tripod's quick release wedge plate to the wedge on the bottom of the Universal VCT Plate.

Figure 2:a Assembling C100 Grip and Grip Relocater (EVF Recoil)

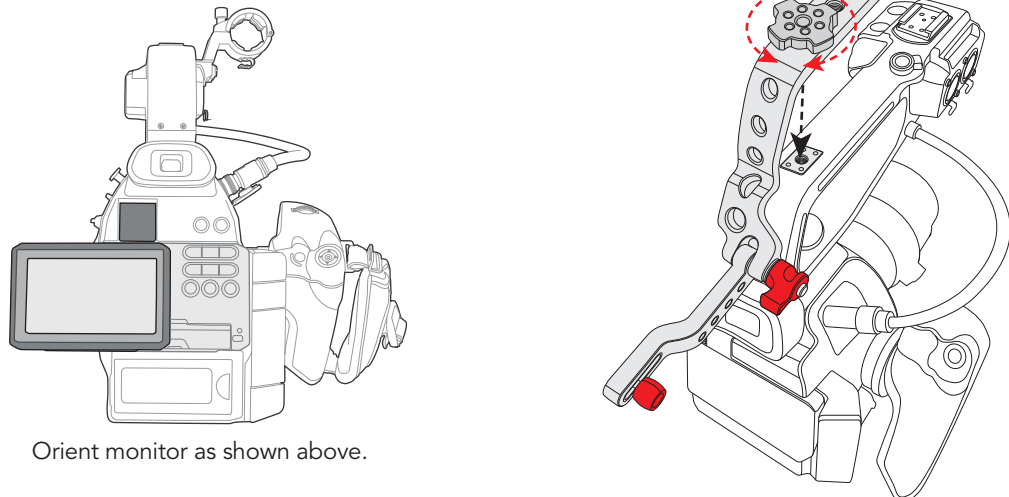
Insert connecting cable from C100 grip to grip relocater as shown *

Position C100 grip to your liking on the grip relocater and screw tightly together. finally, plug cable into C100.

***ATTENTION:** PRESS CONNECTOR FIRMLY INTO GRIP RELOCATOR UNTIL YOU FEEL A CLICK.

Mount the grip relocater to the rods using the rod port on your z mount and zwiwel.

Figure 3:a Mounting C100 Bracket (Z-Finder Recoil)



When using the C100 bracket for Z-Finder, screw the top knob into place.

Figure 3:b Assembling C100 Z-Finder (Z-Finder Recoil)

- 1 Assemble the C100 Z-Finder by snapping the frame onto the Z-Finder Pro.

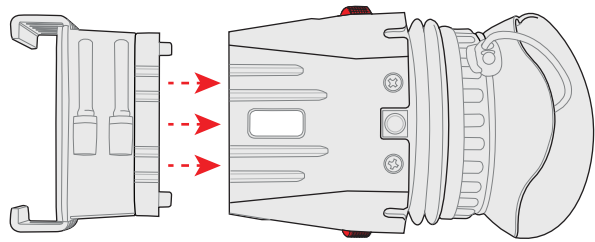
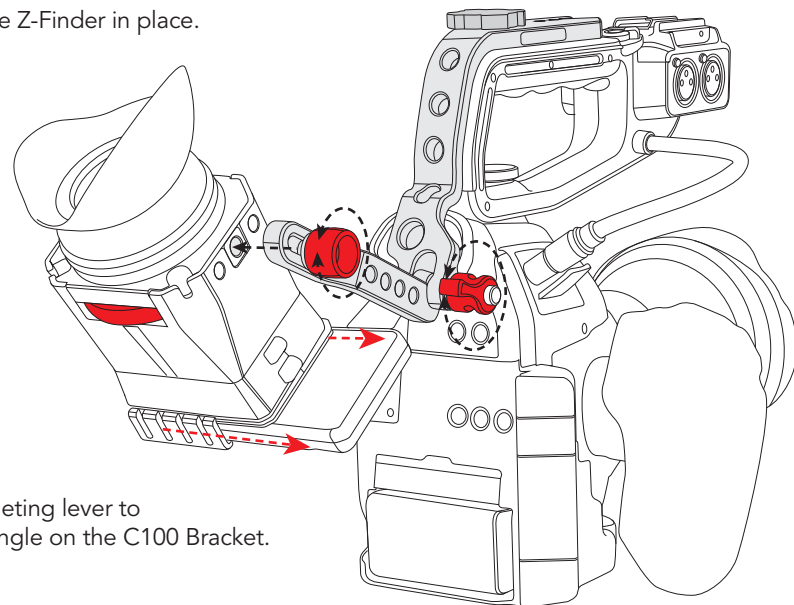


Figure 3:c Mounting C100 Z-Finder to Bracket (Z-Finder Recoil)

- 1 Slide the C100 Z-Finder with frame onto the C100's LCD screen.
- 2 Tighten the knob on the C100 Bracket to secure the Z-Finder in place.



- 3 Loosen ratcheting lever to adjust the angle on the C100 Bracket.

Figure 3:d Focusing Z-Finder (Z-Finder Recoil)

To focus the Z-Finder, use the red diopter wheel to focus on letters within the camera menu.

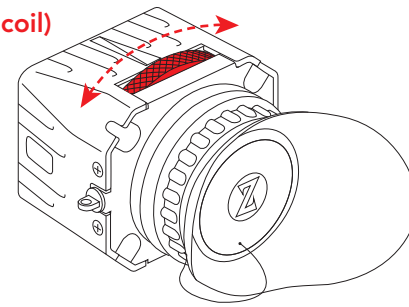


Figure 4:a C100 Bracket for EVF (EVF Recoil)

Assemble the C100 Bracket for EVF if it is not already together.

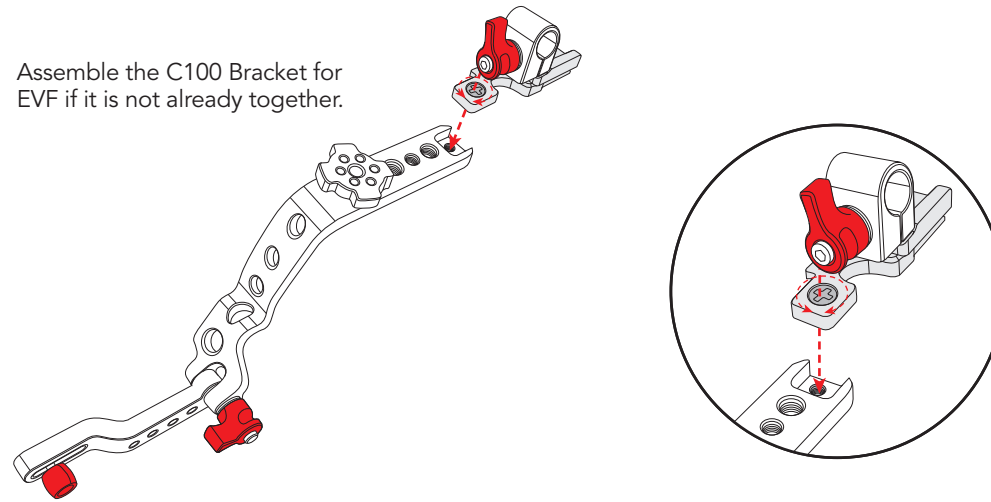
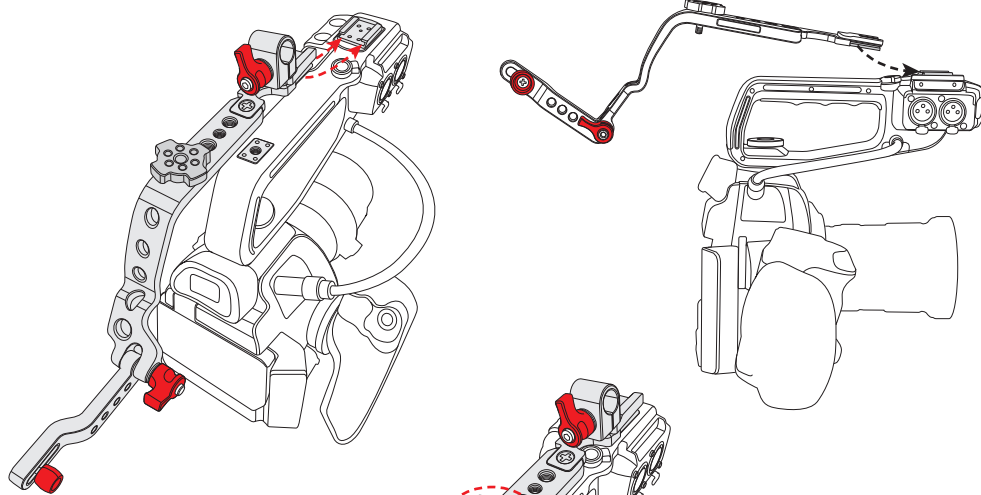


Figure 4:b Mounting C100 Bracket with Mini Axis Mount (EVF Recoil)

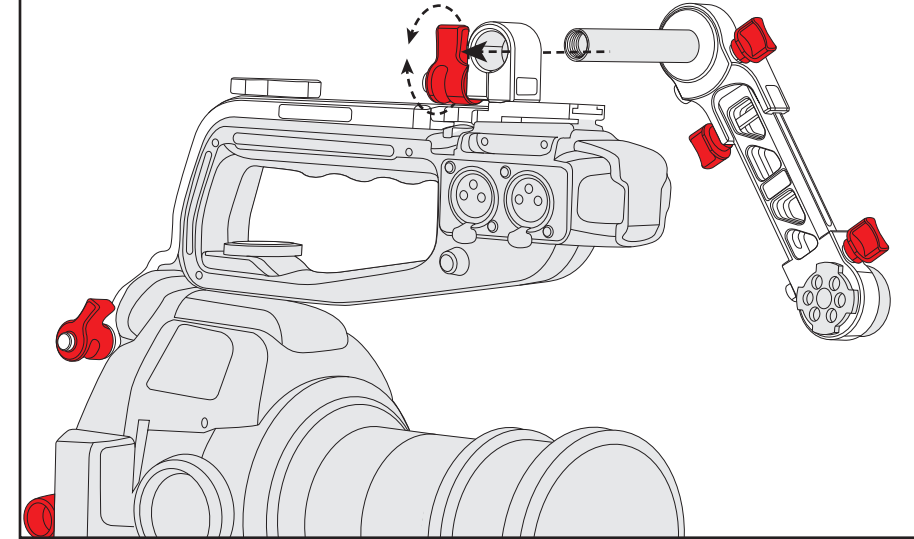
- 1 Slide the front of the C100 Bracket into the coldshoe slot of the handle.



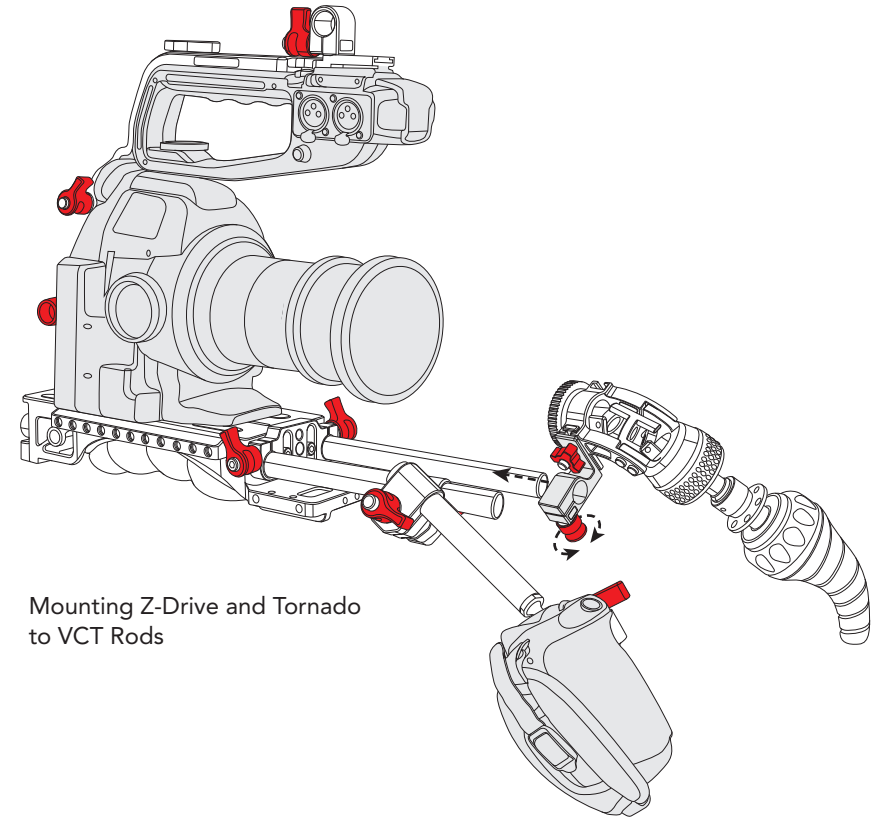
- 2 Tighten the top knob into place to secure bracket to handle

Figure 4:c Operating C100 Bracket (EVF Recoil)

The rod mount on the C100 Bracket can be used to mount your EVF, or a rod support accessory.



Additional Recoil Options Sold Separately



Mounting Z-Drive and Tornado to VCT Rods



See front figure for full correct Assembly
Please visit www.zacuto.com for more support
For additional accessories visit store.zacuto.com