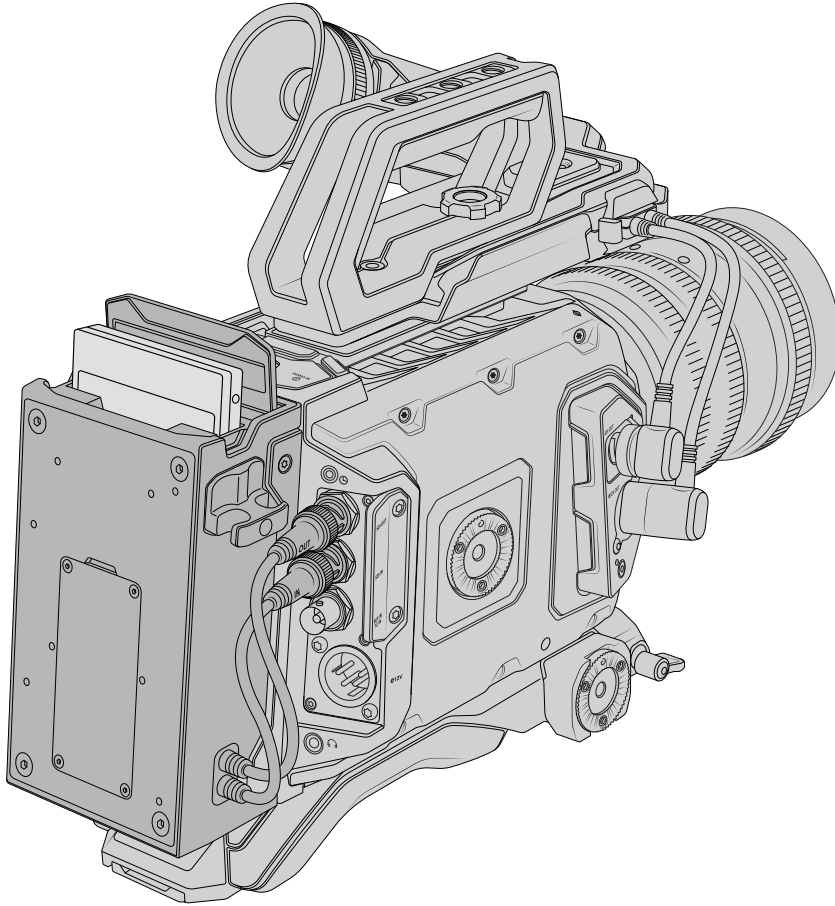


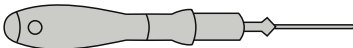
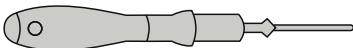
URSA Mini SSD Recorder

Blackmagic URSA Mini SSD Recorder is an optional module which attaches to the rear of URSA Mini Pro 4.6K. This recorder allows you to record footage, including 4.6K RAW files, to high capacity and inexpensive solid state drives, or 'SSDs'.



When attaching URSA Mini SSD Recorder, you will need the following tools:

- 1 x phillips head screwdriver
- 1 x T10 torx screwdriver
- 1 x 2mm hex key driver

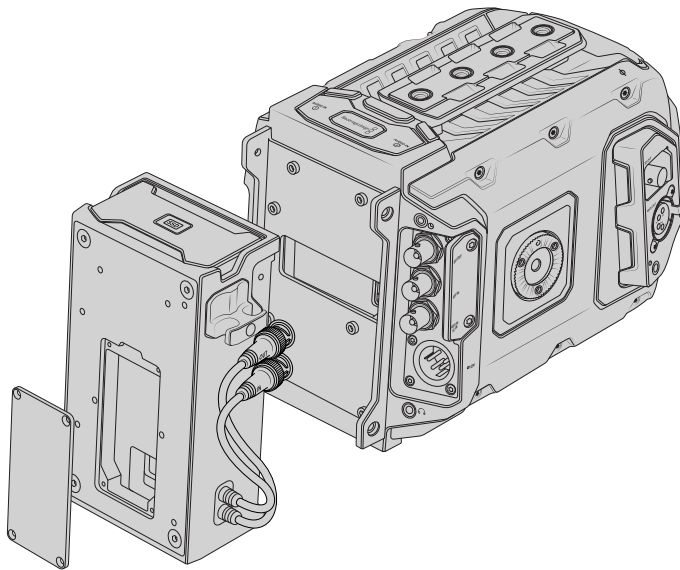


To attach the URSA Mini SSD Recorder to your URSA Mini you will need a large phillips head screwdriver, a T10 torx driver, and a 2mm hex key driver

Mounting and connecting URSA Mini SSD Recorder

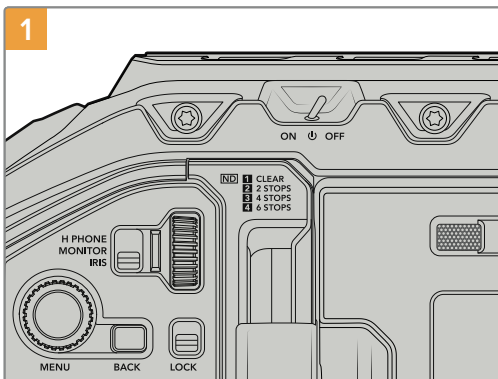
URSA Mini SSD Recorder mounts to the back of URSA Mini Pro 4.6K directly behind the camera body, using your camera's rear SDI in and SDI out BNCs to pass data to and from URSA Mini SSD recorder. It's worth noting that because the recorder uses these SDI inputs and outputs, you can't simultaneously connect your camera to an ATEM switcher.

TIP URSA Mini SSD Recorder features a passthrough cable for your camera's battery power supply, so you can attach V-mount or gold mount batteries to the rear of the camera behind the recorder.

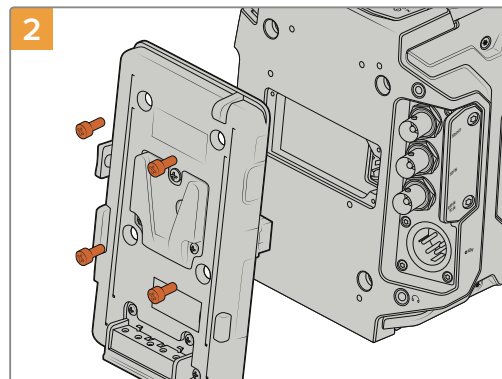


NOTE Before installing URSA Mini SSD Recorder, you'll need to update your URSA Mini Pro 4.6K internal software to version 4.5 or higher using Blackmagic Camera Setup Utility. For more information on updating your camera firmware see the section 'Blackmagic Camera Setup Utility' in this manual.

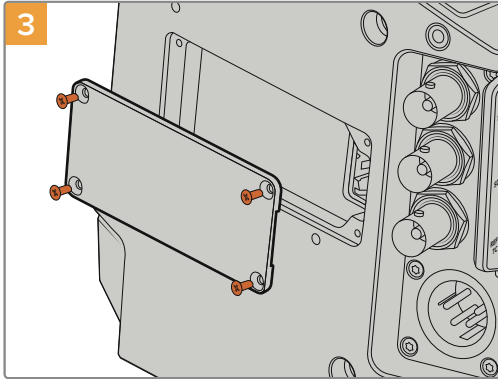
To mount and connect URSA Mini SSD Recorder:



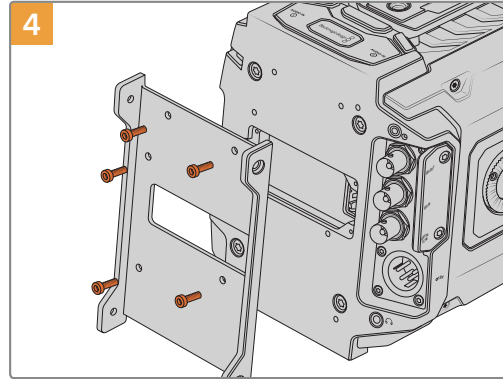
1 Power off URSA Mini Pro 4.6K by moving the 'power' switch to 'off'.



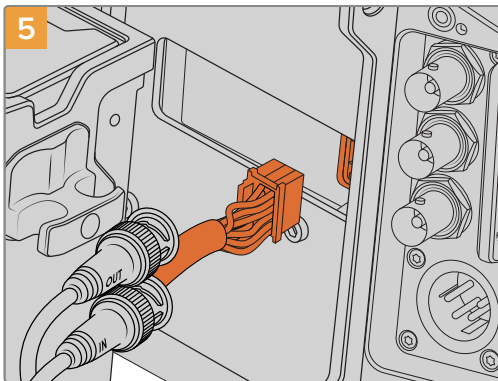
2 Unmount any battery plates currently fitted to your camera. For more information on mounting and unmounting battery plates, see the section 'mounting batteries' in this manual.



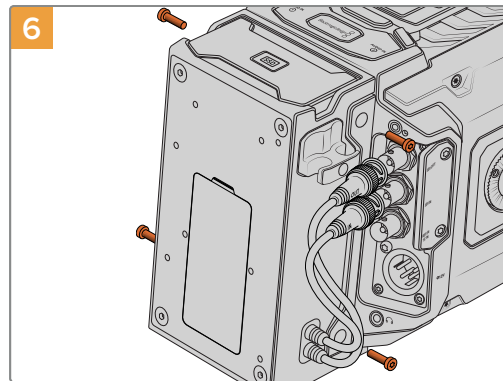
If no battery was fitted to your camera, you may need to remove the cover over URSA Mini Pro's molex socket. Use a philips head screwdriver to remove the four M3 screws holding the cover in place.



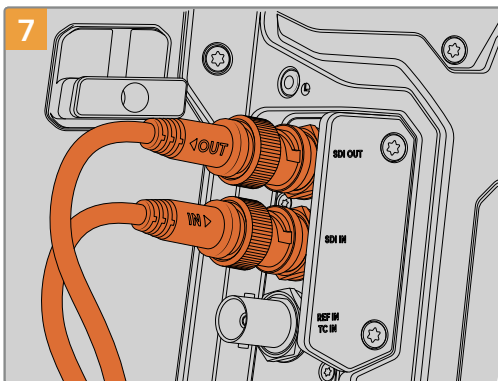
Attach URSA Mini SSD Recorder's mounting bracket using 6 x T10 torx screws.



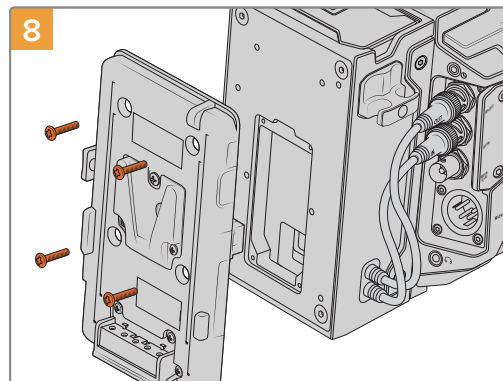
Plug the molex connector on URSA Mini SSD Recorder into the molex socket on your camera's rear panel.



Attach URSA Mini SSD Recorder to the mounting bracket using 2 x T10 torx screws on the left and right side of the brackets.



Connect the SSD Recorder's SDI In and SDI out cables to the SDI inputs and outputs on the back of your camera. The SSD Recorder's cables are marked 'in' and 'out' to help match them to the appropriate connector on your camera.



If you want to use a battery plate with URSA Mini SSD Recorder, use a 2mm hex key driver to remove the four M3 screws holding the molex socket cover panel in place. Once the molex socket is uncovered, attach a battery plate using the steps outlined in the section 'mounting batteries' in this manual.

Using URSA Mini SSD Recorder

When URSA Mini SSD Recorder is connected and an SSD is loaded, the recorder takes over from URSA Mini Pro 4.6K's number '2' storage slot. You'll see an 'SSD' indicator over slot 2 on your camera's storage manager when URSA Mini SSD recorder is in use.



When an SSD is inserted into URSA Mini SSD Recorder, your camera's storage manager will display 'SSD' and 'recorder' indicators over storage slot 2.

This means that recording, playback and storage management is exactly the same for SSDs as it is for CFast or SD cards. For general information on storage management, as well as specific instructions for choosing SSDs, see the 'storage media' section of this manual.

Status LEDs

URSA Mini SSD Recorder has two status lights on its left panel, 'SDI' and 'SSD.' The brightness of these indicators can be set to 'low,' 'medium,' 'high' or 'off.' in your camera's 'setup' menu.

SDI

The top LED, marked 'SDI' indicates URSA Mini SSD Recorder's connection to your camera. The LED provides the following indicators

- **Off**
If the SDI indicator is off, URSA Mini SSD Recorder is not receiving power. If your camera is powered on and this indicator doesn't light, check the molex connection to URSA Mini SSD Recorder.
- **Orange**
URSA Mini SSD Recorder is powered but the SDI connector is not plugged in, or plugged in incorrectly.
- **White**
URSA Mini SSD Recorder is powered and the SDI link is connected properly.

SSD

The 'SSD' indicator shows the status of the SSD currently inserted. This LED provides the following status indicators:

- **Green**
Your URSA Mini SSD Recorder will show a short green light when you insert an SSD into it. This is shown while it is verifying the SSD. When the indicator turns off your SSD Recorder is ready to record. The status light will also be green while footage is being played back from the SSD.
- **Red**
Your URSA Mini SSD Recorder will show a red light while it is recording to SSD. When the space on your SSD is running low the red light will begin to flash slowly.

A fast flashing red light indicates that SSD is dropping frames. If this happens please check that you are using a disk from our recommended list of SSDs and that you are recording at a data rate that is compatible with your media.

▪ **Orange**

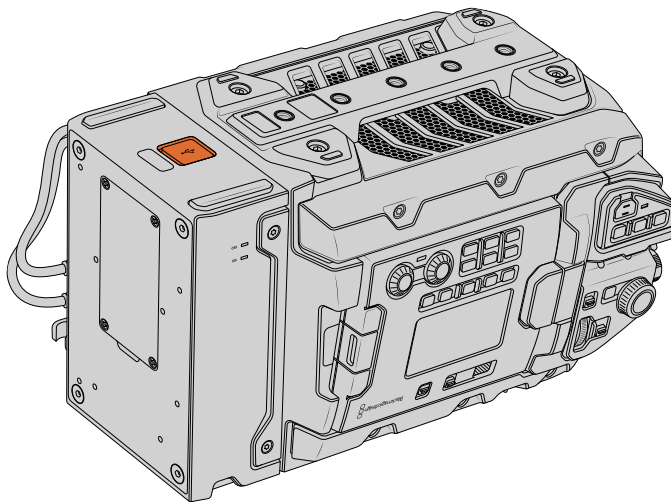
If a problem has occurred while mounting the SSD the status light will go Orange. This may be the result of an improperly formatted or incompatible SSD. See your See the 'storage media' section in this manual for a list of compatible SSDs and formatting instructions.

TIP If the 'SSD' LED indicates a drive mounting error it may need to be 'initialized' on a mac or PC using disk utility or disk management.

Updating URSA Mini SSD Recorder's internal software

Update your URSA Mini SSD Recorder using the Blackmagic Camera Setup Utility software. The SSD Recorder will need to be powered when updating, so we recommend keeping the SSD Recorder connected to URSA Mini Pro 4.6K during the update process. This also means URSA Mini Pro 4.6K will need to supply consistent power, so be sure to plug into external power.

URSA Mini SSD Recorder has a USB-C connector on the underside of the module for updating its internal software. Connect your computer to this USB connector and launch Blackmagic Camera Setup Utility. You will be prompted to update if your computer detects that your URSA Mini SSD Recorder is using outdated version. Follow the on screen prompts to update your URSA Mini SSD Recorder's internal software.



Use the USB-C connector on the underside of URSA Mini SSD Recorder to update internal software.

NOTE Refer to the 'Blackmagic Camera Setup Utility' section in this manual for more information.

TIP We recommend updating all your Blackmagic URSA equipment at the same time for optimized performance