



## **DL Macro Flat Port**

Product Number 75301

### **Product Registration**

Please register your product at [ikelite.com](http://ikelite.com) within 15 days of purchase. Our product registration database is the best way for us to get a hold of you in the event of a product update or recall.

## About this Product

Thank you for your purchase of Ikelite equipment. Please read this instruction manual completely before attempting to operate or dive with this product. Please visit [ikelite.com](http://ikelite.com) to register your product to receive information on any updates, notices, or recalls pertaining to your equipment.

## Included in the Box

- Flat port
- Securing thumbscrews (set of 3) # 9249.7
- Vinyl Cover # 0200
- Silicone lubricant # 0184.2
- Hex Key # 0945.17

## Specifications

- Optical grade glass front
- Acetyl body
- M67 (67mm) threaded front
- Weight 8.1oz (230g)
- 5.5" diameter x 2.5" (140 x 64 mm)

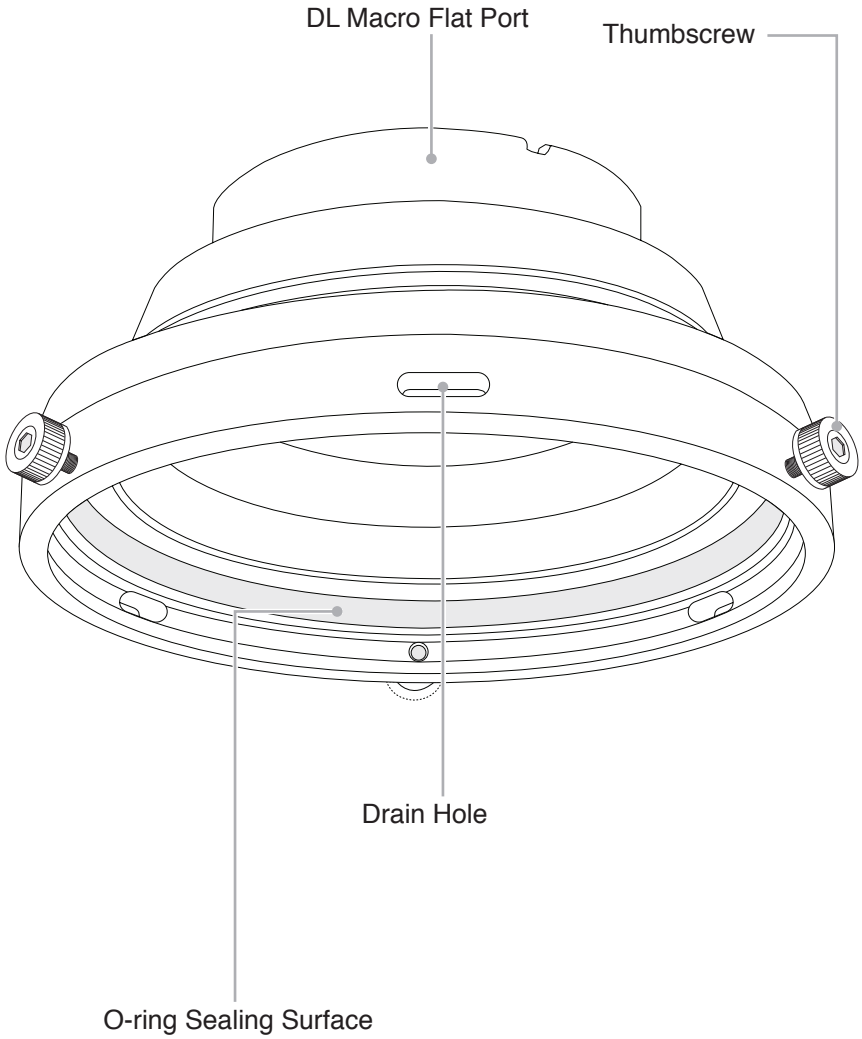
## **Important Notices**

- » **Do not use alcohol, cleaning agents, spray lubricants, Rain-X, or other solvents on the housing or lens port. Use of an incompatible chemical compound can damage the plastic or component o-rings, which may result in leaking.**
- » **We recommend detaching the port from the housing and extension during long periods of storage. Attach the included vinyl cover to protect the glass front from dust and impact.**

# Contents

<b>Product Registration</b> .....	<b>1</b>
<b>About this Product</b> .....	<b>2</b>
<b>Included in the Box</b> .....	<b>2</b>
<b>Specifications</b> .....	<b>2</b>
<b>Important Notices</b> .....	<b>3</b>
<b>Getting to Know Your Flat Port</b> .....	<b>5</b>
<b>Attaching Your Flat Port</b> .....	<b>6</b>
Attaching the Port to a Housing .....	6
Attaching the Port to an Extension.....	7
Final Check.....	8
<b>Maintenance</b> .....	<b>9</b>
Post-Dive.....	9
Travel and Storage.....	9
Scratches.....	9
<b>Spare Parts</b> .....	<b>10</b>
<b>Limited Warranty</b> .....	<b>11</b>
<b>Service and Repairs</b> .....	<b>11</b>
<b>Contact Us</b> .....	<b>12</b>

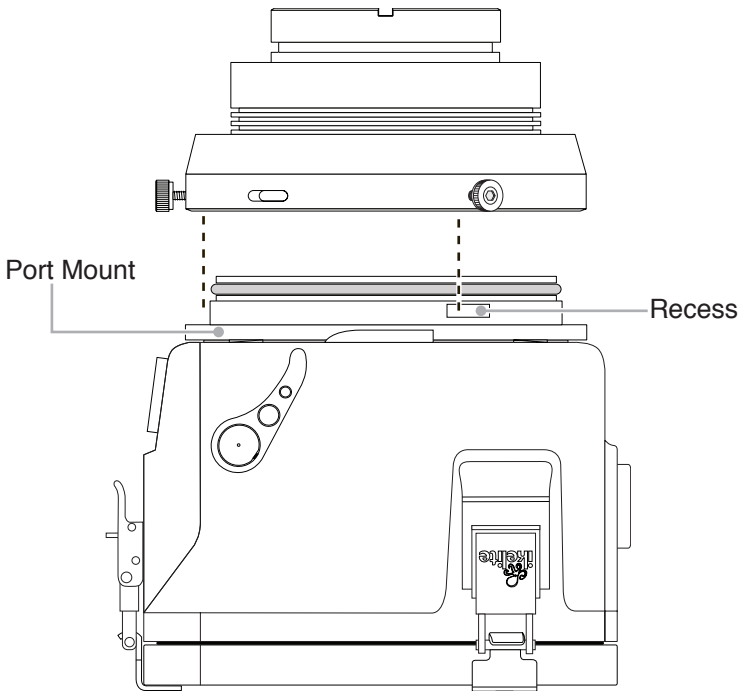
# Getting to Know Your Flat Port



# Attaching Your Flat Port

## Attaching the Port to a Housing

1. Using your fingers or a hex key, loosen each thumbscrew until at least 5 threads are visible.
2. Make sure the flat port sealing surface is clean and free of debris.
3. Clean and lightly lubricate the o-ring. The o-ring needs to be lubricated evenly until it is slightly shiny. Avoid dry spots or uneven build-up of lubricant.
4. Align one of the three thumbscrews with the top center of the housing's Port Mount. This allows each thumbscrew to properly tighten in the Port Mount Recess.

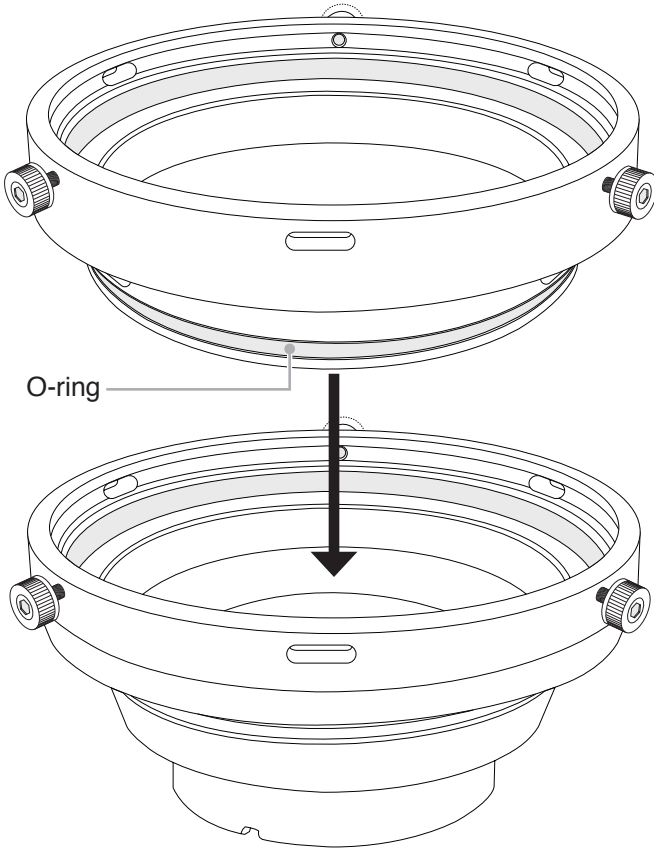


5. Press the port firmly down until the base of the port is flush with the Port Mount on the housing. If there is resistance, remove the port and check that the thumbscrews are loosened and the o-ring is properly lubricated.
6. When the flat port is flush, tighten each thumbscrew until it stops. DO NOT over-tighten.

### **Attaching the Port to an Extension**

1. Using your fingers or a hex key, loosen each thumbscrew until at least 5 threads are visible.
2. Make sure the flat port sealing surface is clean and free of debris.
3. Clean and lightly lubricate the o-ring. The o-ring needs to be lubricated evenly until it is slightly shiny. Avoid dry spots or uneven build-up of lubricant.

4. Line up the thumbscrews on the flat port and extension. Firmly press components together until they are flush around the circumference.



5. Tighten each thumbscrew until it stops. DO NOT overtighten.
6. Attach the complete flat port with extension to your housing.

## Final Check

1. Submerge the housing with port attached in a fresh water tank dedicated to underwater photography equipment.
2. Visually confirm that there are no signs of water intrusion. One sign of water intrusion is a steady stream of bubbles coming from one of the housing's seals.



# Maintenance

## Post-Dive

1. Rinse the housing with flat port installed in fresh water.
2. NEVER leave your housing in the fresh water rinse tank. Collisions with other peoples' gear can cause scratches or damage to your equipment.
3. Dry the flat port with a clean micro fiber lens cleaning cloth.
4. Attach the protective front vinyl cover.
5. Stow the housing in a shaded place where it is protected from impact or overheating. If no shade is available, we recommend covering the housing with a towel or cloth.

## Travel and Storage

1. Clean and dry the exterior of the flat port. DO NOT use any type of glass or surface cleaner on the flat port.
2. Attach the protective front vinyl cover.
3. Store in a cool, dry place.

## Scratches

Often scratches will fill in with water and become invisible in the resulting image. Scratches are most likely to show up in your image when shooting towards the sun or a light source.

If the scratches are too deep, the flat port will need to be returned to Ikelite for replacement of the glass.

## **Spare Parts**

- O-ring # 0132.45
- Securing thumbscrews (set of 3) # 9249.7
- 7/64" hex key # 0945.17
- Silicone lubricant # 0184.2

## **Limited Warranty**

This Ikelite product is warranted against any manufacturing defects for a period of one (1) year from the original date of purchase. Defective products should be returned to Ikelite postage paid. Ikelite will, at its sole discretion, repair or replace such products, and will return to customer postage paid. All other claims of any nature are not covered. Except as mentioned above, no other warranty expressed or implied applies to this Ikelite product.

## **Service and Repairs**

Ikelite is most interested in performing any service to ensure that all products perform as intended. Evidence of purchase date must be provided to obtain warranty service.

No prior authorization is required. You may return directly to us or through your dealer. Please include a brief description of the problem, any relevant email correspondence, and/or description of the service request. Always include name, shipping address, email address, and phone number inside of the package. Send postage paid to:

Ikelite Underwater Systems  
Attn: Service Department  
50 West 33rd Street  
Indianapolis, IN 46208 USA

For the separate international customs documentation form that you complete to accompany the shipment, please state or designate that the enclosed products were originally manufactured in the USA and are being returned to the manufacturer for repair service. Value of the equipment listed for customs purposes should be zero.

# Contact Us

If you have any questions about your product or need advice on getting the images you want, please get in touch with us and we'll do everything we can to help you capture your unique perspective.

Ikelite Underwater Systems  
50 W. 33rd St.  
Indianapolis, IN 46208 USA  
(317) 923-4523  
ikelite@ikelite.com