

GRATICAL EVF



Bright. Sharp. Brilliant

The Gratical HD/LT Micro-OLED Electronic Viewfinder
User Manual

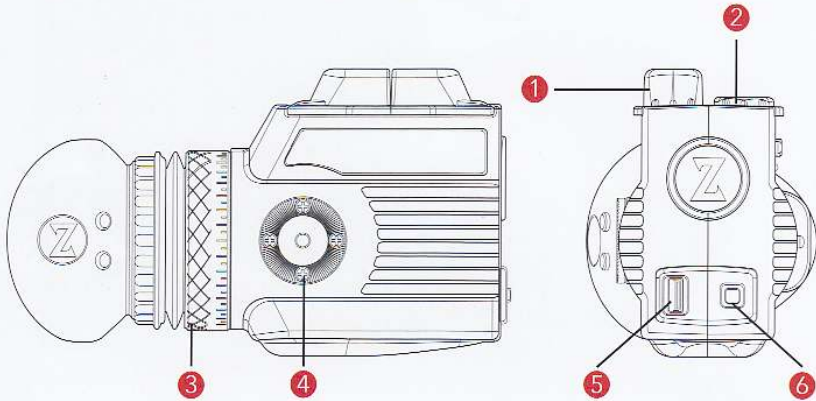
www.zacuto.com

ZACUTO

GRATICAL EVF

Gratical Features

1. BNC Covers
2. HDMI Covers
3. Focusing Ring
4. Arri Rosette EVF Mount
5. USB Port
6. Power Button
7. SDI Out
8. SDI In
9. HDMI Out
10. HDMI In
11. Function Buttons
12. Joystick
13. Battery Release Button
14. LP-E6 Battery
15. Lens Door
16. 1/4"-20 EVF Mount

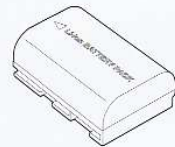
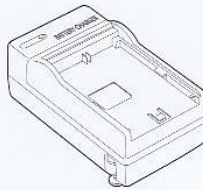
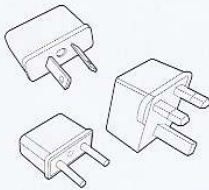


Included Components

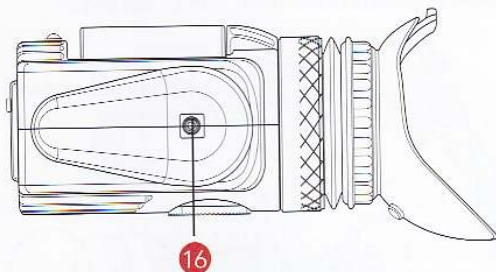
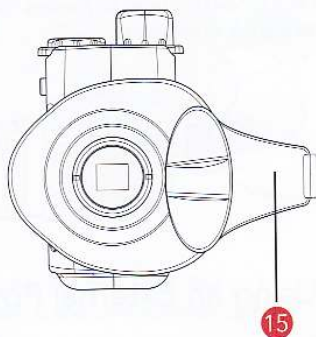
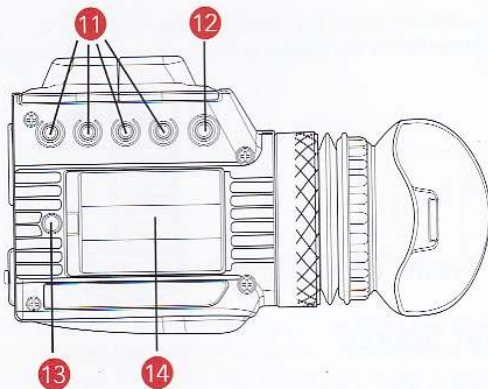
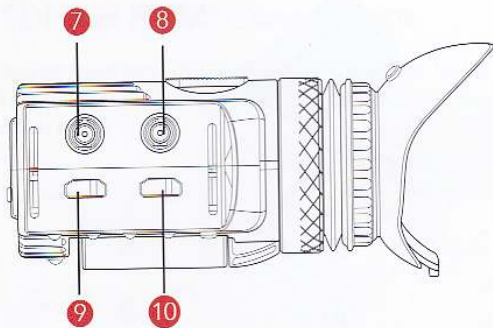
3 AC Plug Adapters

Li-ion Battery Charger

Li-ion Battery Pack



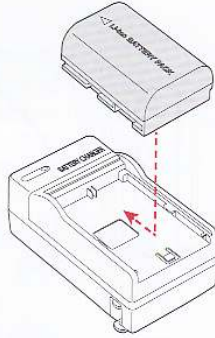
GRATICAL EVF



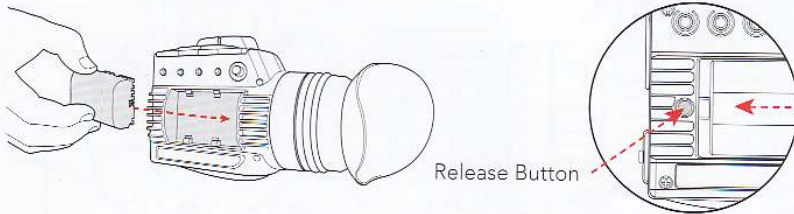
Battery Usage

To ensure full runtime charge your battery before first use.

Note: Only use LP-E6 type batteries with the Gratical. Doing otherwise may damage the unit.



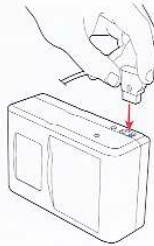
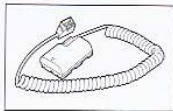
Insert the battery into the left side compartment of the Gratical. Slide to the right until locked in place. To remove the battery press the release button and slide the battery to the left of the case.



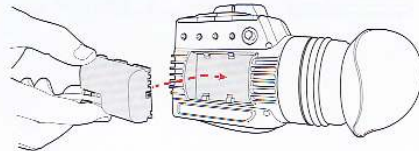
Using an External Power Source

Optional equipment includes an External Battery Attachment with D-Tap and a compatible battery source.

Connect male D-Tap to power source.

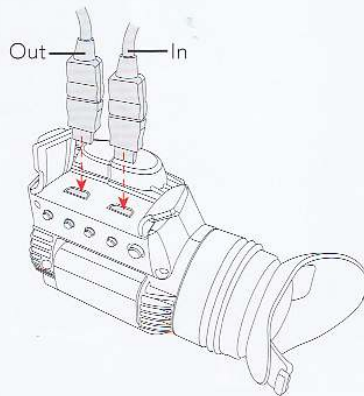
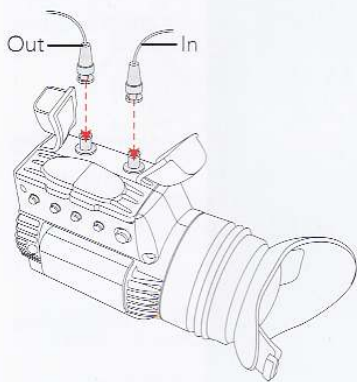


Slide Battery attachment into the Gratical.



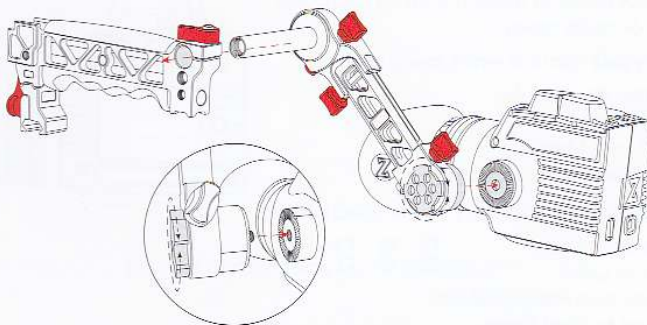
SDI and HDMI Connections

The Gratical HD includes two HDMI and two SDI ports with cross conversion from HDMI to SDI. Weather resistant covers prevent moisture or debris from getting in open ports.

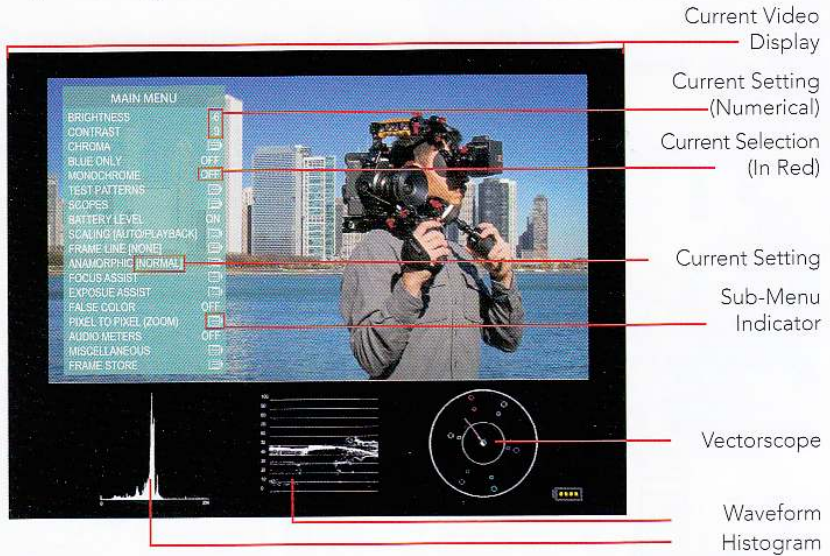


Mounting Gratical to Axis Mini

The recommended mounting accessory for the Gratical is the Axis Mini. This is mounted to the Gratical using the rosette mount. Below is the configuration using the Gratical, Axis Mini, and Recoil Handle for a Recoil Rig.



Operating Menus

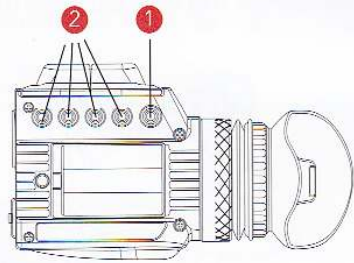


The menu screen reveals itself over the current video display to show real-time updates of changes made. Menu will disappear after 30 seconds of inactivity.

- To open menu press in joystick.
 Navigate menu using up, down, left, right.
 Press in to select. Left will return you to the previous menu or make the menu disappear when on main menu.

Preset joystick controls while menu is off.

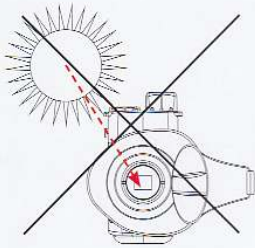
- Up- User Assignable
- Down- Battery
- Left- Audio Meters
- Right- User Assignable



- User assignable buttons. Presets listed below.

- F1- Focus Assist F1 F2 F3 F4
- F2- False Color ○ ○ ○ ○
- F3- Exposure Assist (Zebras)
- F4- Pixel to Pixel Zoom

Gratical Precautions



- Do not allow sunlight to enter the Gratical. The light can be magnified by the lens and potentially cause damage to the Gratical screen.
 - Make sure to close eyecup flap when not using to help prevent unwanted light from entering the EVF.
 - Do not disassemble or modify the EVF, as this may damage the product.
-
- Do not use batteries, power cords, or accessories that are not specified for use with this product. Use only canon LP-E6 batteries or equivalent.
 - Do not store the product in a dusty, humid or hot environment as damage may occur.
 - When the product is mounted on a camera, do not lift or move the camera by grabbing the product. This may cause damage to the product or the camera mount.
 - This product is not waterproof. If the product is dropped in water, do not turn on the unit. Contact Zacuto for service.
 - Do not attempt to power another device by using the Gratical as a power source.

For full instructions go to zacuto.com

Technical Specifications

Micro OLED Display

Screen Dimension

HD 0.61" Diagonal

LT 0.39" Diagonal

Resolution

HD Full Display
1280x1024

LT Full Display
1024x768

Contrast Ratio

10,000:1

Refresh Rate

60Hz

Color Depth

24 Bit RGB

Luminance

120-250 cd/m²

Pixel Info

16.7 Million Colors

HD 2687.21 PPI
5.4 Million Pixels

LT 3282.05 PPI
3.3 Million Pixels

Power

Voltage Input

6-28V

Compatible with LP-E6 Battery

(7.8V 1800mAh LiON)

Run time-3 hours
constant run
(Depending on
features & loops)

Connections

HDMI

1.4b Compliant

Resolutions up to
1080p/60 Loop Out

HD-SDI

Resolutions up to
1080p/60 Loop Out

Cross Conversion

HDMI to HD-SDI
Independent LUT
on output stream

Standard ARRI

Rosette
with 1/4-20"
threaded hole

Bottom 1/4-20"
Screw Mount



www.zacuto.com