

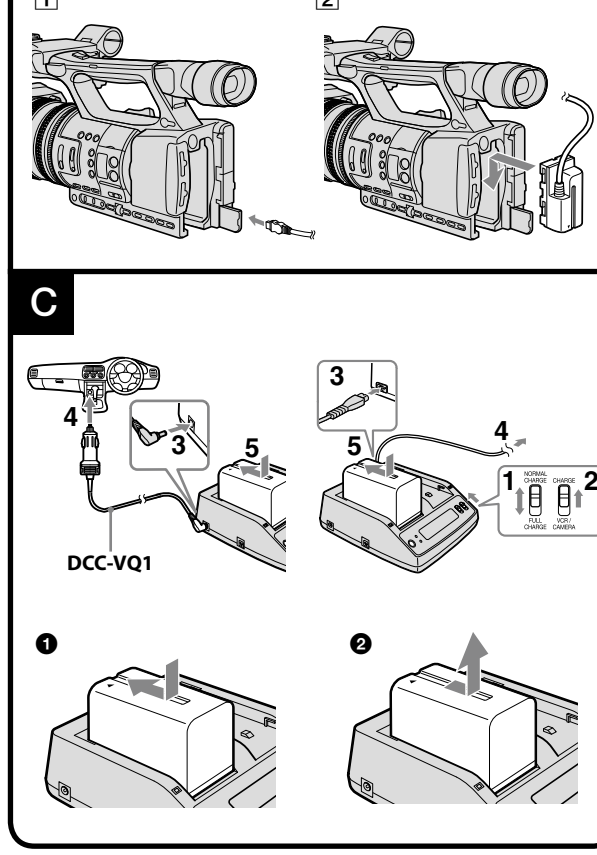
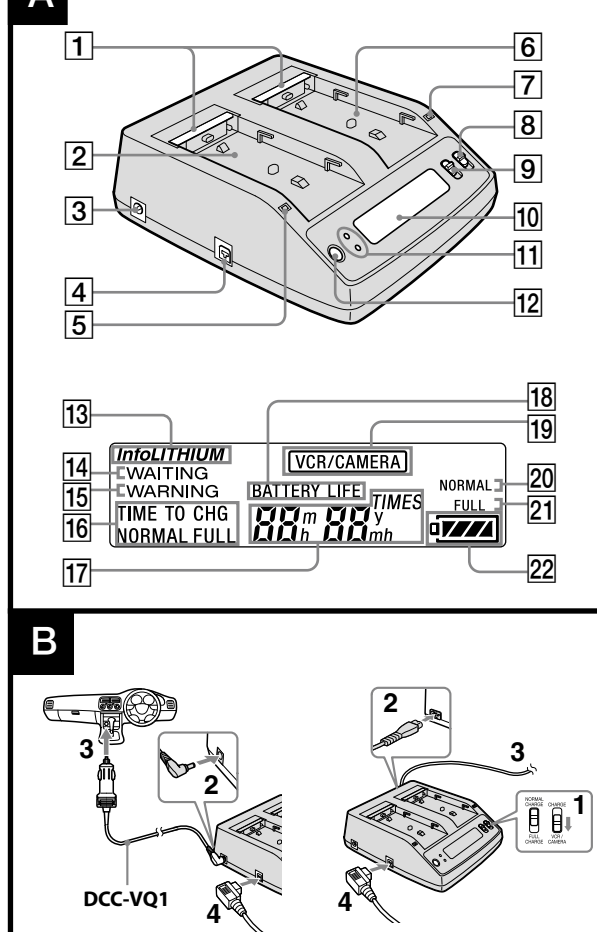
AC Adaptor/Charger

Operating Instructions
Mode d'emploi
Bedienungsanleitung
Návod na obsluhu
Kullanılma kılavuzu

AC-VQ1051D ACC-L1BP ACKKIT-D20 ACKKIT-D12B

http://www.sony.net

	AC-VQ1051D	ACC-L1BP	ACKKIT-D20	ACKKIT-D12B
AC-VQ1051D	(1)	(1)	(1)	(1)
DK-215	(1)	(1)	(1)	(1)
DK-415	(1)			
DCC-VQ1	(1)			
NP-F970			(1)	(2)



A Identifying the parts

- | | | |
|--------------------------------------|----|---------------------------|
| 1 Inlet/shutter | 16 | WAITING indicator |
| 2 Slot | 17 | WARNING indicator |
| 3 DC IN connector (only for DCC-VQ1) | 18 | TIME TO CHG (chase) light |
| 4 Output change switch | 19 | TIME/LOG indicator |
| 5 Charging mode change switch | 20 | BATTERY LIFE indicator |
| 6 Display window | 21 | VCR/CAMERA indicator |
| 7 Slot indicator lamp | 22 | Full charge indicator |
| 8 DISPLAY change button | | |

Battery to be recharged for this product is follows
 Brand Name Sony
 Battery Type NP-F570 NP-F770 NP-F970

The AC-VQ1051D AC Adaptor/Charger can be used as follows

Connect the power cord (supplied) to a wall outlet, or connect the car battery cord DCC-VQ1 to the cigarette lighter socket in your car. (For negative (-) grounded vehicles only.)
 For operating Sony equipment (video cameras, etc.), use the connecting cords included with this unit.
 For charging Sony rechargeable battery packs (L series), you can set the level of charge completion to "Full charge" or "Normal charge" with the charging mode change switch. If you want to use the battery pack quickly, set "Normal charge" to complete charging in the normal charging state.
 When "InfoLITHUM" battery packs are attached to this unit, the following functions are available:
 - Quick charging (Faster than charging with your video camera, etc.)
 - BATTERY LOG and charging information can be displayed. Usage history and charging status of the battery pack is displayed.
 * Total charging time, charge count, last use year and month
 * Battery life, remaining time until charging is complete

* This unit is for charging lithium ion battery packs. It cannot be used to recharge Ni-Cd or Ni-MH batteries.
 * This unit cannot be used with some model video cameras or other equipment. Confirm the compatibility of your equipment before use.

What is "InfoLITHUM"?
 "InfoLITHUM" is a lithium ion battery pack which can exchange data on battery consumption with compatible electronic equipment. We recommend that you use an "InfoLITHUM" battery pack (L series) with electronic equipment that has the "InfoLITHUM" mark.
 "InfoLITHUM" is a trademark of Sony Corporation.

What is "BATTERY LOG"?
 "BATTERY LOG" displays the usage history it recorded in the battery pack.
 * Total charging time
 * Charge count
 * Last use year and month (Displays are approximate). Depending on the battery pack, the contents (data) may be limited.

Notes on the BATTERY LIFE indicator (Read carefully before use)
 While charging the battery pack, this unit shows the status of charging and information of the battery pack as well as the following conditions:
 * You are using an "InfoLITHUM" battery pack.
 * Your video camera, etc. is compatible with "InfoLITHUM". Check that your battery pack has the "InfoLITHUM" mark. Check in the operating instructions supplied with your video equipment whether it is "InfoLITHUM" compatible.

If you use the battery pack with more than one video camera, etc. that is compatible with "InfoLITHUM", information is shown for the equipment last attached to the battery pack.
 "BATTERY LOG" is available with the rechargeable battery packs NP-F970, NP-F770 and NP-F570. Other battery packs may not be compatible or may display limited information.

B To Operate Video Equipment

When the AC power cord and car battery cord DCC-VQ1 are connected at the same time, power input from the car battery cord is given priority.
 For details of connection, refer to the operating instructions of the video camera.

- 1 Set the output change switch to VCR/CAMERA.
- 2 Connect the AC power cord or car battery cord to this unit.
- 3 Connect the AC power cord to a wall outlet, connect the car battery cord to the cigarette lighter socket. There is a beep and the display window comes on.
- 4 Connect the connecting cord to the DC OUT connector of this unit.
- 5 Connect the connecting cord to the video camera.

For the direction in which to fit the connecting cord, refer to the operating instructions of video camera, etc.
 When charging the connecting cord DK-415 (Illustration B 1) When using the connecting cord DK-415 (Illustration B 2)

Notes
 * Setting the output change switch to CHARGE while operating the video camera, etc. cuts the power supply to the video camera.
 * You cannot charge a battery pack attached to this unit when this unit is in VCR/CAMERA mode.
 * Move this unit away from your video camera, etc. if the image is distorted.
 * The connecting cord DK-415 can be used with equipment compatible with the rechargeable battery pack (L series). Confirm the compatibility of your equipment before use.
 * The illustration shows connection to an HDR-AX2000 digital HD video camera recorder.

C To Charge the Battery Pack

When the AC power cord and car battery cord DCC-VQ1 are connected at the same time, power input from the car battery cord is given priority.
 For details of connection, refer to the operating instructions of the video camera.

- 1 Connect the AC power cord or car battery cord to this unit.
- 2 Connect the AC power cord to a wall outlet, or connect the car battery cord to the cigarette lighter socket.
- 3 Connect the connecting cord to the display window comes on.

2 Switching the charging mode
 There are two levels of charge completion: "Normal charge" and "Full charge". You can change the charging mode with the charging mode change switch on this unit.

- NORMAL CHARGE: When charge is completed, the battery life indicator is displayed as illustrated on the right. The condition of the battery pack can be better maintained, but the battery life will be slightly shorter than when in the full charge state.
- FULL CHARGE: When charging is complete in the full charged state, the battery life indicator is displayed as illustrated on the right. The battery life will be slightly longer than when in normal charge mode, but the charging time will also be longer.

Attaching two battery packs simultaneously

You can attach two battery packs in this unit at the same time. You can charge just one battery pack as well. Charging starts with the battery pack installed in Slot ②.
 When both battery packs are attached but not simultaneously, charging starts with the battery pack attached first regardless of whether it is in Slot ① or ②.

Notes
 * Two battery packs can be attached, but they cannot be charged at normal charging simultaneously.
 * When the charging mode change switch is set to "FULL CHARGE", this unit completes normal charging in the order that the battery packs are attached, but then completes full charging for both battery packs simultaneously.

To attach the battery pack (A-C)

Place the battery pack on this unit with the arrow facing the terminal shutter.
 Slide the battery pack in the direction of the arrow. Press the battery pack until the terminal shutter is completely concealed.

To remove the battery pack (A-C)
 Slide the battery pack in the direction of the arrow and lift it straight out.
 Do not pick this unit up by holding the battery pack.
 Be sure not to hit the terminal shutter. When attaching the battery pack, be particularly careful not to touch the battery pack against it.
 Be careful to pinch your fingers while attaching or removing the battery pack.

Charging time
 Quick Charge

	NP-F970	NP-F770	NP-F570
Normal charge	285 min	185 min	110 min
Full charge	345 min	245 min	170 min

The times shown are for charging an empty battery pack, using this unit at an ambient temperature of 25°C (77°F).
 Actual charging time may be affected by the condition of the battery pack and the ambient temperature.
 * If the battery pack is removed from this unit after normal charging is complete, the CHARGE lamp blinks, and the following information is displayed on the battery pack and the ambient temperature.

To use the battery pack quickly
 You can use the battery pack even if you remove it from this unit before charging is complete. However, a shorter charging time means a shorter usable time.
 * Last use year and month (Displays are approximate). Depending on the battery pack, the contents (data) may be limited.

Notes
 * When the output change switch is set to VCR/CAMERA during charging, charging stops.
 * If the CHARGE lamp does not light up or blink, check that the battery pack is correctly attached to this unit. If it is not correctly attached, it will not be charged.
 * Quick charging is only performed with "InfoLITHUM" battery packs.

When the charging mode change switch is set to "NORMAL CHARGE", this unit finishes charging when normal charging is complete.
 You can change the charging mode before each charging is complete.
 Unplug this unit from the wall outlet after use. To disconnect the cord, pull it out by the plug. Never pull the cord itself.

To Check Charging

When charging starts, the battery life lights up in the display window. Battery life light displays the approximate time remaining for recording images using the viewfinder. The battery life is shorter if the LCD display is used.
 The battery life may not be displayed with certain video cameras. For details, refer to the operating instructions on the BATTERY LIFE indicator.

There are two methods of switching the contents of the display window during charging.
 1. Press the DISPLAY change button. The slot indicator lamp corresponds to the slot number.
 2. Press the output change switch (D) and the remaining time until charging is complete.

Changing the contents of the display window automatically during charging (See illustration E)
 1 Battery life: The battery life of the first attached battery pack. This is the battery life when attached to the "InfoLITHUM" compatible video camera, etc. last used.
 2 Battery life: The battery life of the subsequently attached battery pack.
 3 Charging time: The total remaining time until full charging of the battery packs installed in Slot ① and Slot ② is complete. When the charging mode change switch is set to "NORMAL CHARGE", the remaining time until normal charging is complete is displayed.

Press the DISPLAY change button during charging. (See illustration E)
 During charging, "BATTERY LOG" can be displayed by pressing the DISPLAY change button.
 About five seconds after pressing the DISPLAY change button, battery life is displayed and then the information switching between the battery life and the remaining time until charging is complete.

- 1 Total charging time: The total charging time of the subsequently attached battery pack. The minimum displayed is 5 hours.
- 2 Total charge count: The number of times the first attached battery pack has been charged.
- 3 Year and month of last use: Display the approximate number of times the battery pack has been charged since its first charging. The minimum displayed is 5 times.
- 4 Total charging time: The total charging time of the subsequently attached battery pack. The minimum displayed is 5 hours.
- 5 Total charge count: The number of times the subsequently attached battery pack has been charged.
- 6 Year and month of last use: The year and month when the subsequently attached battery pack was last used.

Press the DISPLAY change button after charging is complete. (See illustration F)

After charging is complete, the display does not change automatically. The contents of the display change each time you press the DISPLAY change button as follows.
 About five seconds after pressing the DISPLAY change button, returns to the display shown in 1.

- 1 Battery life: When the charging mode change switch is set to "NORMAL CHARGE", the battery life indicator shows "NORMAL".
- 2 Battery life: The battery life of the first attached battery pack.
- 3 Battery life: The battery life of the subsequently attached battery pack.
- 4 Total charging time: The total charging time of the first attached battery pack.
- 5 Total charge count: The number of times the first attached battery pack has been charged.
- 6 Year and month of last use: Display the approximate number of times the first attached battery pack was last used.
- 7 Total charging time: The total charging time of the subsequently attached battery pack.
- 8 Total charge count: The number of times the subsequently attached battery pack has been charged.
- 9 Year and month of last use: Display the approximate number of times the subsequently attached battery pack was last used.

Notes
 * The time display is an approximate time when charging at 25°C.
 * "Normal charge" may differ from the actual time depending on the environment. Also, depending on the condition of the battery, a time may not be displayed. This is not a malfunction.
 * It may take some time for the time to be displayed after starting the charging.
 * The time display and remaining battery life of the battery pack on the side not being charged may take some time to appear.
 * Do not display the battery life of a new battery pack. First attach it to your video camera and use it for about 20 seconds, and then charge it to this unit.

If a charging fully charged battery pack to this unit, "TIME TO CHG FULL" may appear on the display. This is not a malfunction.
 In the following cases, the time/LOG display may show "...":
 - When the CHARGE lamp blinks, and other functions are not available.
 - There is a difference between the time display and actual charging time. (Even if this happens, continue charging until fully charged.)
 - When charging a battery other than an "InfoLITHUM" battery pack (Battery life display and other functions are not available).
 - When last use year and month are unclear. (When you attach the battery pack to a video camera but do not turn on the power of the video camera, or the calendar function of the video camera is not setup, etc.)

If the battery pack is removed from this unit after normal charging is complete, the CHARGE lamp blinks, and the following information is displayed on the battery pack and the ambient temperature.

When the CHARGE lamp keeps blinking slowly and "WAITING" is displayed in the display window.
 * Charging is temporarily stopped. This unit is in the standby state.
 * If the room temperature of the battery temperature is out of the appropriate temperature range, charging stops automatically.
 * When the room temperature returns to the appropriate range, the CHARGE lamp lights up and charging resumes.
 * We recommend charging the battery pack at 10°C to 30°C (50°F to 86°F).

When the CHARGE lamp blinks in the following two ways.
 Blinks quickly: Turns on and off repeatedly every 0.15 seconds.
 Blinks slowly: Turns on and off repeatedly every 1.5 seconds.
 When the CHARGE lamp blinks, read the following information and take suitable action depending on how the CHARGE lamp blinks.
 * Charging is temporarily stopped. This unit is in the standby state.
 * If the room temperature of the battery temperature is out of the appropriate temperature range, charging stops automatically.
 * When the room temperature returns to the appropriate range, the CHARGE lamp lights up and charging resumes.
 * We recommend charging the battery pack at 10°C to 30°C (50°F to 86°F).

The CHARGE lamp blinks in the following two ways.
 Blinks quickly: Turns on and off repeatedly every 0.15 seconds.
 Blinks slowly: Turns on and off repeatedly every 1.5 seconds.
 When the CHARGE lamp blinks, read the following information and take suitable action depending on how the CHARGE lamp blinks.
 * Charging is temporarily stopped. This unit is in the standby state.
 * If the room temperature of the battery temperature is out of the appropriate temperature range, charging stops automatically.
 * When the room temperature returns to the appropriate range, the CHARGE lamp lights up and charging resumes.
 * We recommend charging the battery pack at 10°C to 30°C (50°F to 86°F).

► Using the car battery cord (DCC-VQ1)

The DCC-VQ1 car battery cord can be used as follows
 * The DCC-VQ1 car battery cord is for connecting this unit to the cigarette lighter socket of a car.
 * Some cars are negatively grounded and others are positively grounded. This unit is for negatively grounded cars only.
 * Some cars have the output plug of the DCC-VQ1 to the DC IN connector of this unit, and the cigarette lighter plug (Q) of the DCC-VQ1 to the cigarette lighter socket of your car. Insert the cigarette lighter cord into the cigarette lighter socket.
 * The car battery cord DCC-VQ1 is not supplied with the accessory kit ACC-L1BP. To purchase the DCC-VQ1, please contact your dealer.

Using the car battery cord (DCC-VQ1)
 Only use this unit with a car that has a 12 volt or 24 volt battery.
 * Some cars are negatively grounded and others are positively grounded. This unit is for negatively grounded cars only.
 * Use the unit with the car engine running. If you use the unit with the engine stopped, the battery may be drained.
 * Unplug the car battery cord from the cigarette lighter socket when you are not in use. To disconnect the cord, pull it out by the plug. Never pull the cord itself.

Fuse Replacement

The car battery cord (DCC-VQ1) contains a fuse in the cigarette lighter plug.
 * The car battery cord (DCC-VQ1) does not work properly, check to see if the fuse has blown. If it has, replace it by purchasing a fuse with the same rating (4 A, 125 V) such as from your nearest Sony dealer.
 * Always use a new fuse.
 * If the new fuse blows soon after replacement, consult your nearest Sony dealer.
 * Contact your car dealer about the polarity of your car's grounding, the voltage of your car battery, etc.

Specifications
 AC Adaptor/Charger (AC-VQ1051D)
 Input 100 V ~ 240 V AC 50 Hz/60 Hz 22 W
 12 V/24 V DC (only for negatively grounded cars)
 Output 8.4 V DC 2.0 A (VCR/CAMERA)
 8.4 V DC 1.6 A (CHARGE)
 Operating temperature -20°C to +60°C (-4°F to +140°F)
 Storage temperature -20°C to +40°C (-4°F to 104°F)
 Dimensions (Approx.) 123 mm x 53 mm x 135 mm (w/h/d)
 (4.78 in. x 2.1 in. x 5.31 in.)
 (excluding the projecting parts)
 Mass Approx. 400 g (14.1 oz.)

Rechargeable Battery Pack (NP-F970)
 Battery type used Lithium ion rechargeable battery
 Maximum output voltage 8.4 V DC
 Mean output voltage 7.2 V DC
 Maximum charge voltage 8.4 V DC
 Maximum charge current 3.0 A
 Capacity 45 Wh (6300 mAh)
 Operating temperature 0°C to 40°C (32°F to 104°F)
 Dimensions (Approx.) 38.4 mm x 69.0 mm x 70.8 mm (w/h/d) (1.51 in. x 2.71 in. x 2.79 in.)
 Mass Approx. 300 g (10.6 oz.)

Identification des éléments

- 1 Oublier le cordon
- 2 Logement
- 3 Prise DC OUT
- 4 Oublier le cordon
- 5 Témoin CHARGE
- 6 Indicateur WAITING
- 7 Indicateur WARNING
- 8 Indicateur TIME TO CHG
- 9 Témoin CHARGE
- 10 Indicateur TEMPS/LOG
- 11 Indicateur BATTERY LIFE
- 12 Témoin CHARGE
- 13 Indicateur VCR/CAMERA
- 14 Indicateur de charge normale
- 15 Indicateur de charge complète
- 16 Afficheur
- 17 Indicateur de logement
- 18 Touche de changement

Les batteries peuvent être rechargées pour ce produit sur les suivantes
 Marque Sony
 Type de batterie NP-F570 NP-F770 NP-F970

This unit supports worldwide voltages 100 V to 240 V.
 It does not use an electronic voltage transformer, as this may cause a malfunction.

Troubleshooting

Symptom	Cause/Solution
Video equipment does not work.	The power cable is disconnected from the wall outlet (wall socket). The car battery cord DCC-VQ1 is disconnected from the cigarette lighter socket. Insert into a wall outlet or cigarette lighter socket. The power cable is not properly connected. Connect properly.
The output change switch is not working.	The output change switch is set to CHARGE. Set the output change switch to VCR/CAMERA.
The battery pack does not charge.	The output change switch is set to VCR/CAMERA. Set the output change switch to CHARGE. Power immediately turns off even when charging is complete. Run down the battery pack and then fully charge it again. The battery life will be correctly displayed. Refer to "Notes on the BATTERY LIFE indicator".
The display window does not show the battery life.	The temperature of the battery pack is too low. Charging is performed at lower temperature than the recommended charging temperature range. Run down the battery pack and then fully charge it again. The battery life will be correctly displayed.

Power immediately turns off even when charging is complete.
 Run down the battery pack and then fully charge it again.
 The battery life will be correctly displayed.

Refer to "Notes on the BATTERY LIFE indicator".
 * The temperature of the battery pack is too low.
 * Charging is performed at lower temperature than the recommended charging temperature range.
 * Run down the battery pack and then fully charge it again.

* The temperature of the battery pack is too low.
 * Charging is performed at lower temperature than the recommended charging temperature range.
 * Run down the battery pack and then fully charge it again.

* The temperature of the battery pack is too low.
 * Charging is performed at lower temperature than the recommended charging temperature range.
 * Run down the battery pack and then fully charge it again.

* The temperature of the battery pack is too low.
 * Charging is performed at lower temperature than the recommended charging temperature range.
 * Run down the battery pack and then fully charge it again.

* The temperature of the battery pack is too low.
 * Charging is performed at lower temperature than the recommended charging temperature range.
 * Run down the battery pack and then fully charge it again.

* The temperature of the battery pack is too low.
 * Charging is performed at lower temperature than the recommended charging temperature range.
 * Run down the battery pack and then fully charge it again.

* The temperature of the battery pack is too low.
 * Charging is performed at lower temperature than the recommended charging temperature range.
 * Run down the battery pack and then fully charge it again.

* The temperature of the battery pack is too low.
 * Charging is performed at lower temperature than the recommended charging temperature range.
 * Run down the battery pack and then fully charge it again.

* The temperature of the battery pack is too low.
 * Charging is performed at lower temperature than the recommended charging temperature range.
 * Run down the battery pack and then fully charge it again.

* The temperature of the battery pack is too low.
 * Charging is performed at lower temperature than the recommended charging temperature range.
 * Run down the battery pack and then fully charge it again.

* The temperature of the battery pack is too low.
 * Charging is performed at lower temperature than the recommended charging temperature range.
 * Run down the battery pack and then fully charge it again.

* The temperature of the battery pack is too low.
 * Charging is performed at lower temperature than the recommended charging temperature range.
 * Run down the battery pack and then fully charge it again.

* The temperature of the battery pack is too low.
 * Charging is performed at lower temperature than the recommended charging temperature range.
 * Run down the battery pack and then fully charge it again.

* The temperature of the battery pack is too low.
 * Charging is performed at lower temperature than the recommended charging temperature range.
 * Run down the battery pack and then fully charge it again.

* The temperature of the battery pack is too low.
 * Charging is performed at lower temperature than the recommended charging temperature range.
 * Run down the battery pack and then fully charge it again.

* The temperature of the battery pack is too low.
 * Charging is performed at lower temperature than the recommended charging temperature range.
 * Run down the battery pack and then fully charge it again.

* The temperature of the battery pack is too low.
 * Charging is performed at lower temperature than the recommended charging temperature range.
 * Run down the battery pack and then fully charge it again.

L'adaptateur/chargeur CA AC-VQ1051D peut être utilisé de la façon suivante.

L'adaptateur/chargeur CA AC-VQ1051D peut être utilisé à la manière suivante:
 Raccordez le cordon d'alimentation (fourni) sur une prise murale, ou branchez le cordon allume-cigare DCC-VQ1 sur l'allume-cigare de votre voiture. (Pour les voitures négatives (-) à alimentation à courant continu.)
 Pour faire fonctionner un appareil Sony (caméscopes, etc.), utilisez les cordons de liaison fournis avec cet appareil.
 Pour charger des batteries rechargeables (série L), connectez le cordon allume-cigare DCC-VQ1 à la prise d'allume-cigare de votre voiture.
 - Vous pouvez régler le niveau de charge souhaité sur "Charge complète" ou "Charge normale" avec le sélecteur de mode de charge. Si vous voulez charger rapidement une batterie, réglez le sélecteur sur "Charge normale" pour attendre un niveau de charge normal.
 * Les charges simultanées s'InfoLITHUM™ sont insérées dans cet appareil, les fonctions suivantes sont disponibles:
 - Charge rapide
 - (Plus rapide que la charge avec votre caméra, etc.)
 - BATTERY LOG et les informations concernant la charge s'affichent.
 Un historique de l'utilisation de la batterie et état de charge de

La batterie peut être rechargée pour ce produit sur les suivantes
 Marque Sony
 Type de batterie NP-F570 NP-F770 NP-F970

La batterie peut être rechargée pour ce produit sur les suivantes
 Marque Sony
 Type de batterie NP-F570 NP-F770 NP-F970

La batterie peut être rechargée pour ce produit sur les suivantes
 Marque Sony
 Type de batterie NP-F570 NP-F770 NP-F970

La batterie peut être rechargée pour ce produit sur les suivantes
 Marque Sony
 Type de batterie NP-F570 NP-F770 NP-F970

La batterie peut être rechargée pour ce produit sur les suivantes
 Marque Sony
 Type de batterie NP-F570 NP-F770 NP-F970

La batterie peut être rechargée pour ce produit sur les suivantes
 Marque Sony
 Type de batterie NP-F570 NP-F770 NP-F970

La batterie peut être rechargée pour ce produit sur les suivantes
 Marque Sony
 Type de batterie NP-F570 NP-F770 NP-F970

La batterie peut être rechargée pour ce produit sur les suivantes
 Marque Sony
 Type de batterie NP-F570 NP-F770 NP-F970

La batterie peut être rechargée pour ce produit sur les suivantes
 Marque Sony
 Type de batterie NP-F570 NP-F770 NP-F970

La batterie peut être rechargée pour ce produit sur les suivantes
 Marque Sony
 Type de batterie NP-F570 NP-F770 NP-F970

La batterie peut être rechargée pour ce produit sur les suivantes
 Marque Sony
 Type de batterie NP-F570 NP-F770 NP-F970

La batterie peut être rechargée pour ce produit sur les suivantes
 Marque Sony
 Type de batterie NP-F570 NP-F770 NP-F970

La batterie peut être rechargée pour ce produit sur les suivantes
 Marque Sony
 Type de batterie NP-F570 NP-F770 NP-F970

La batterie peut être rechargée pour ce produit sur les suivantes
 Marque Sony
 Type de batterie NP-F570 NP-F770 NP-F970

La batterie peut être rechargée pour ce produit sur les suivantes
 Marque Sony
 Type de batterie NP-F570 NP-F770 NP-F970

La batterie peut être rechargée pour ce produit sur les suivantes
 Marque Sony
 Type de batterie NP-F570 NP-F770 NP-F970

La batterie peut être rechargée pour ce produit sur les suivantes
 Marque Sony
 Type de batterie NP-F570 NP-F770 NP-F970

La batterie peut être rechargée pour ce produit sur les suivantes
 Marque Sony
 Type de batterie NP-F570 NP-F770 NP-F970

Rattachement simultané de deux batteries

Vous pouvez rattaché deux batteries en même temps à cet appareil. Vous pouvez aussi charger une seule batterie. La charge commence par la batterie installée dans le logement (D).
 L'autonomie de la batterie est indiquée simultanément, la charge commence par la première batterie rattachée, ce qui se fait dans le logement (D) ou le logement (E).
 Remarques
 * Deux batteries peuvent être rattachées, mais elles ne peuvent pas être chargées simultanément dans le cas d'une charge normale.
 * Lorsque le sélecteur de mode de charge est en position "FULL CHARGE", l'appareil charge d'abord les batteries dans l'ordre dans lequel elles ont été rattachées, puis simultanément, puis complète la charge simultanément sur les deux batteries.
 Un historique de l'utilisation de la batterie et état de charge de

La batterie peut être rechargée pour ce produit sur les suivantes
 Marque Sony
 Type de batterie NP-F570 NP-F770 NP-F970

La batterie peut être rechargée pour ce produit sur les suivantes
 Marque Sony
 Type de batterie NP-F570 NP-F770 NP-F970

La batterie peut être rechargée pour ce produit sur les suivantes
 Marque Sony
 Type de batterie NP-F570 NP-F770 NP-F970

La batterie peut être rechargée pour ce produit sur les suivantes
 Marque Sony
 Type de batterie NP-F5

