

MANFROTTO QUICK RELEASE PLATE

TILTA ADAPTER FOR FLOAT STABILIZING ARM

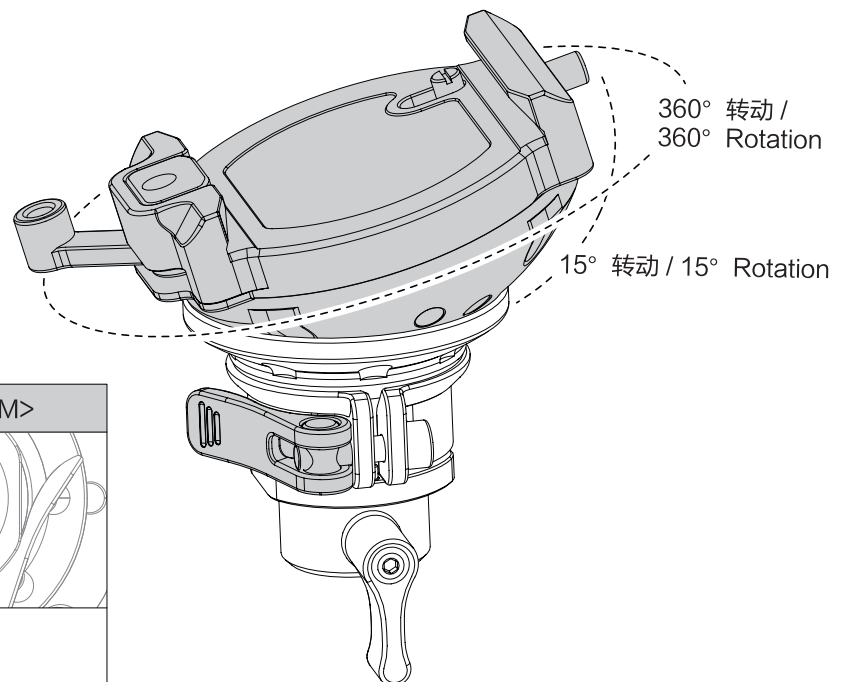
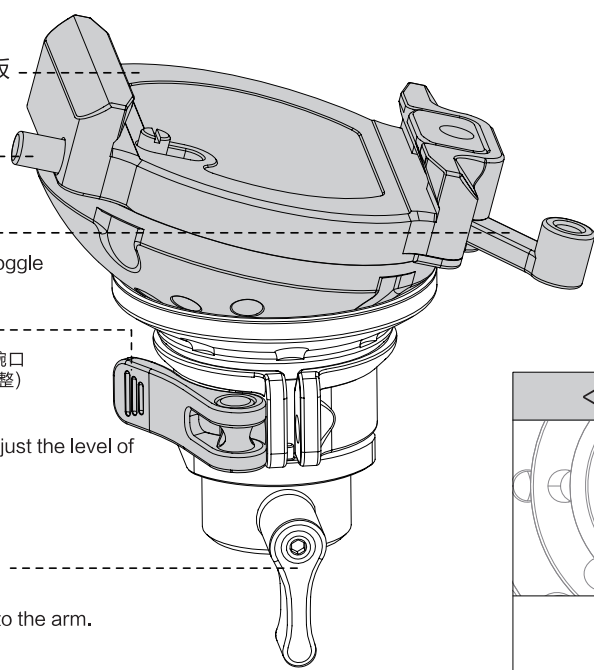
装配曼富图标准快装板
For mounting Manfrotto
quick release plate

防掉安全销
Safety Pin

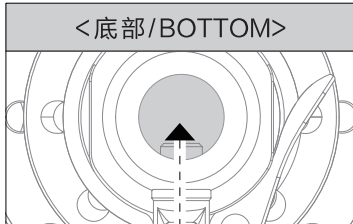
快装板手柄
Quick Release Locking Toggle

碗口固定手柄
调节手柄可调整云台连接件碗口
的水平状态(根据操作需求调整)
Ball Head Tie Down
Loosen the tie down to adjust the level of
the ball head.

固定手扭/Tie Down
与连接部件进行固定锁紧
For securing the adapter to the arm.



<底部/BOTTOM>



直径13mm
13mm Diameter

[该连接件可装配在直径13mm的设备上]
The adapter can mount onto any arm
with 13mm diameter.



安装背负系统——力臂转云台连接件/MOUNTING TO TILTA FLOAT STABILIZING ARM

① 安装力臂转云台连接件

Installing Manfrotto Quick Release Plate Adapter for Tilta Float Stabilizing Arm.

将力臂转云台连接件安装到背负系统的力臂上，锁紧固定手扭②。

Mount the Manfrotto quick release plate adapter onto the Tilta Float Stabilizing Arm. Tighten ② the ball head tie down.

③ 摄影机搭配曼富图标准快装板

Installing Manfrotto Quick Release Plate.

曼富图标准快装板③安装在摄影机底部上，组合好后将其滑入云台连接件上④，锁紧手柄。

Mount the Manfrotto quick release plate to the bottom of the camera. Slide the plate onto ④ the adapter head. Tighten the locking toggle.

整体装配好后，通过碗口调整水平完成安装。

Once the entire configuration is mounted, adjust the ball head level.

