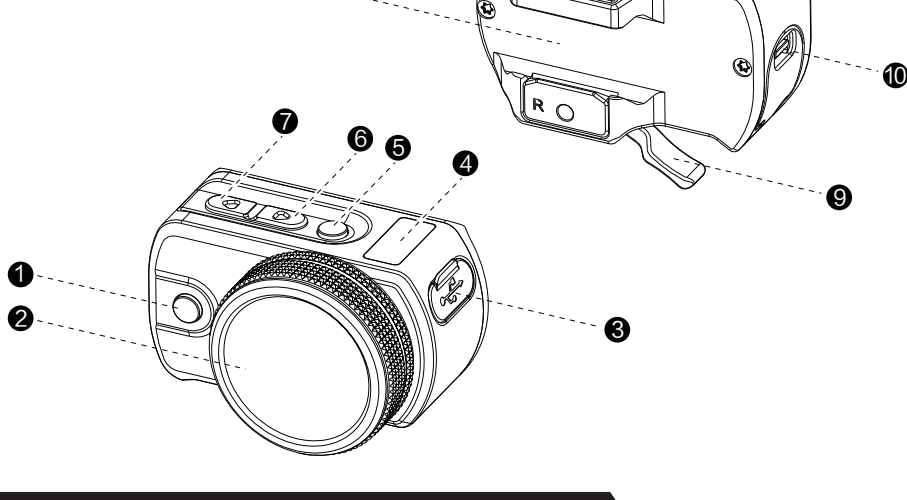


WIRELESS CONTROLLER

FOR TILTA MIRAGE



认识——幻境无线控制器 [Wireless Controller Overview]

<p>1 开关机键 Power button 长按:开关机 单击:REC和STBY切换 (在所有菜单里单击切换主界面) Long hold: power on and off. Single click: Run/stop. (In menu, single click to switch between interfaces.)</p>	<p>2 滚轮 Hand wheel 对焦后可无线控制马达 For controlling the wireless motor.</p>	<p>3 USB-C接口 USB-C port 用于升级固件时使用 For firmware update.</p>	<p>4 显示屏 Display</p>
<p>5 CAL键 CAL key (1) 长按 3秒自动检测行程 (2) 双击可进入手动行程设置 (3) 单击可进行 A-B 限位设置 (1) Hold for 3s to activate automatic calibration. (2) Double click to activate manual calibration. (3) Single click to set A-B marks.</p>	<p>6 向上键 Up key 双击:向上翻选择+通道 长按:进入主菜单设置 (包括:无线设置/马达设置/功能设置/系统设置) 在菜单设置里,单击为上选功能,双击为确定功能 Double click: Go up in selection + raise channel. Long hold: Enter main menu (including wireless setting, motor setting, function setting, system setting). In menu, single click to go up, double click to confirm.</p>	<p>7 向下键 Down key 双击:向下翻选择-通道 在菜单设置里,单击为下选功能,双击为返回上一级功能 Double click: Go down in selection + lower channel. In menu, single click to go down, double click to return to the previous menu.</p>	<p>8 NATO滑槽接口 NATO rail port 可将控制器安装在带NATO滑槽的设备上 The wireless controller can be mounted on setups with a NATO rail.</p>
<p>9 NATO锁紧扳手 NATO rail tie down</p>	<p>10 电池仓口 Battery chamber 3.7V 14500 电池 可不分正负极上电开机 For 14500 battery (3.7V). The battery can be installed in either direction regarding positive and negative.</p>		

[CAL] 键功能说明 [CAL Key Functions]

[01] 自动CAL功能设置 Auto CAL Setting

长按【CAL】键3S不放,电机进入自动CAL转动(行程检测)。
Long hold "CAL" key for 3 seconds, the motor will enter auto CAL and spin.



[02] 无限位行程 手动设置说明 (此功能,配合使用原力N/原力M马达) Free Rotation. Manual Calibration Instructions. (This function is compatible with Nucleus M and Nucleus Nano motors.)

1. 双击【CAL】键开始手动CAL设置,显示(H_C_A)。
Double click "CAL" key to initiate manual CAL setting. Display shows "H_C_A".
2. 当调整镜头跟焦距离最近点,并装上电机,转动手轮再次调整镜头跟焦至无限远(电机跟随转动)
Manually rotate the lens' focus to close focus, and install the motor to the lens. Then rotate the hand wheel so that the lens is at infinite focus.
3. 再次双击【CAL】键手动行程设置成功。
Double click "CAL" key again to confirm the free rotation setup.

[03] A-B点设置 A-B marks setting

1. 设置A-B点
Set A-B marks
[A点]:转动滚轮到合适的A点后,单击【CAL】键确认A点。
[B点]:再转动滚轮到合适的B点后,单击【CAL】键确认B点。
即A-B限位设置完成。
A mark: Rotate the hand wheel to the desired position for A mark. Single click "CAL" key to confirm.
B mark: Rotate the hand wheel to the desired position for B mark. Single click "CAL" key to confirm.
A-B marks are now set.

2. 取消A-B点设置
Cancel A-B marks
设置完成后再次单击【CAL】键即可取消。
After AB marks are set, single click "CAL" key again to cancel them.

无线设置功能(2.4G 蓝牙) [Wireless Settings (2.4G bluetooth)]

[01] 2.4G模式是设置无线模块的功率 2.4G mode is for wireless frequency setting

1. 长按【向上】键进入菜单选项功能,通过【向上/下】键选中[无线设置(Wireless)]选项并双击【向上】键确定
Long hold "Up" key to enter menu settings. Use "Up" and "Down" keys to toggle through and select Wireless setting. Double click "Up" key to confirm selection.
2. 进入到[2.4G模式]后,双击【向上】键进入到[2.4G模式(Mode)],再次双击确定。
Double click "Up" key to enter [2.4G mode].
3. 通过【向上/下】键选择[高/中/低 (High/ Medium/ Low)]三个不同档位功率,选中后双击【向上】键确定即可。
Use "Up" and "Down" keys to toggle through and select High / Medium / Low frequency. Double click "Up" key to confirm the selection.

[02] 蓝牙模式功能 Bluetooth mode functions

1. 长按【向上】键进入菜单选项功能,通过【向上/下】键选中[无线设置(Wireless)]选项并双击【向上】键确定
Long hold "Up" key to enter menu settings. Use "Up" and "Down" keys to toggle through and select Wireless setting. Double click "Up" key to confirm selection.
2. 通过【向上/下】键选中[蓝牙(BLUE)模式]双击【向上】键确定
Use "Up" and "Down" keys to toggle through and select BLUE. Double click "Up" key to confirm selection.
3. 双击(ON)进入连接状态此时蓝牙功能已打开(默认是关闭使用时需要打开)
Double click ON to enter connection mode. (The bluetooth is already on. It is set to off by default and needs to be turned on when needed.)
4. 进入[连接(Connect)],再次双击【向上】键进入搜索中蓝牙模式连接中...
After entering "Connect", double click "Up" key to enter "Search" mode.

*可使用手机APP(APP使用后请持续关注TILTA官网资料更新)与蓝牙连接控制跟焦或录制,或者直接连接相机蓝牙(目前能适用BMPCC4K/6K POR).
*Use phone APP to connect the Bluetooth devices for lens control or camera run/stop control. Or connect the devices directly via Bluetooth. (As of right now, only applicable to BMPCC 4K/6K PRO.)
(After downloading the APP, please follow the updates from Tilta official website.)

[03] 与BMPCC4K/6K/ 6K PRO相机蓝牙连接并实现录制功能 Connecting with BMPCC 4K/6K PRO via Bluetooth for Run/Stop Control

1. 以6K PRO相机为例,打开相机设置调到蓝牙菜单。
Take BMPCC 6K PRO camera as an example. Open camera menu and find bluetooth setting.
2. 在控制器菜单里打开蓝牙功能,调到[连接(Connect)]并双击进入搜索中。
Navigate to Bluetooth setting on the wireless controller, select Connect and double click the Up key to enter searching mode.
3. 连接中相机会弹出一个动态密码,对应地在控制器上输入密码(密码输入说明:6位密码从左到右,用手轮前后调转到相对应的数字后,双击【上】键确认进入第二位数字输入.....输完6位密码后双击【向上】键进入连接)。连接成功后,可以通过控制器上的【开关机】键控制录制(REC和STBY)。
During connection, a passcode will be generated from the camera. Enter the passcode on the wireless controller. [Passcode instructions: The passcode contains 6 digits. Use the hand wheel to move between digits, double click "Up" key to confirm and enter the next digit. Enter all 6 digits, then double click "Up" key to connect.]
Once the connection is complete, use the power button on the controller to control REC/STBY.
4. 连接成功后的相机, (同一台相机)第二次使用时不需要重新输入密码。当控制器要连接另外一台相机时,需要清除蓝牙里的信息,操作方法如下:
Once the first connection of the device is complete, no passcode will be needed to connect in the future. To use the control with other cameras, clear the bluetooth info. Please see instructions below.

- ① 蓝牙菜单里选中【清除】再双击【向上】键。
In the Bluetooth setting, select Clear and double click "Up" key to confirm.
- ② 相机上的蓝牙菜单上也需点击【清除】,清除完成后,重新去连接操作方法同上。
Clear the Bluetooth info on the camera by selecting Clear All.

马达设置功能 (Motor Setting)

[01] 电机方向设置 Motor direction

1. 长按【向上】键进入菜单选项功能,通过【向上/下】键选中[马达设置(Motor)],双击【向上】键进入到[方向(Direction)]。
Long hold "Up" key to enter menu settings. Use "Up" and "Down" keys to toggle through and select [Motor]. Double click "Up" key to confirm and enter Direction menu.
2. 再次双击进入后,通过【向上/下】键选择顺时针(CW)或逆时针(CCW) [根据实际情况选择],选中后双击【向上】键确认完成。
Double click "Up" key in Direction "Down" keys to toggle through and select CW or CCW. Then double click "Up" key to confirm the selection.

[02] 电机号设置 Motor number

1. 长按【向上】键进入菜单选项功能,通过【向上/下】键选中[马达设置(Motor)]双击确定,进入后同上一部露选中[电机号(Number)]。
Long hold "Up" key to enter menu settings. Use "Up" and "Down" keys to toggle through and select Motor. Double click "Up" key to confirm and enter [Number menu].
2. 再次双击进入后,通过【向上/下】键可选择0/1/2/3/4电机号,选中后双击【向上】键确认完成,确定后电机号如图所示显示在主界面中。
Double click "Up" key in Number. Use "Up" and "Down" keys to toggle through and select a motor number (0/1/2/3/4). Then double click "Up" key to confirm the selection. The selected motor number will appear on the display.

功能设置 (Function Setting)

控制器滚轮校准设置 Calibrating the hand wheel

1. 长按【向上】键进入菜单选项功能,通过【向上/下】键选中[功能设置(Function)],双击【向上】键进入。
Long hold "Up" key to enter menu settings. Use "Up" and "Down" keys to toggle through and select Function. Double click "Up" key to confirm.
2. 显示[滚轮校准(Wheel Cal)],此时滚轮在逆时针方向转到最小值,再往顺时针转到最大值,双击【向上】键确认校准完成。
Double click "Up" key in Direction "Down" keys to toggle through and select CW or CCW. Then double click "Up" key to confirm the selection.

系统设置 (System Setting)

[01] 版本信息查看 Looking up the version info

1. 长按【向上】键进入菜单选项,通过【向上/下】键选中[系统设置(System)],双击进入后选中[版本信息(INFO)],再双击【向上】键确定查看当前固件版本。
Long hold "Up" key to enter menu settings. Use "Up" and "Down" keys to toggle through and select System. Double click "Up" key to enter Info, and double click "Up" key again to look up the current firmware info.

[02] 语言设置 Language Setting

1. 长按【向上】键进入菜单选项,通过【向上/下】键选中[系统设置(System)],双击进入后选中[语言设置(Language)]。
Long hold "Up" key to enter menu settings. Use "Up" and "Down" keys to toggle through and select System. Double click "Up" key to confirm and select Language.
2. 双击确定后通过【向上/下】键可选择中文或English,选中后双击【向上】键确认完成。
Double click "Up" key in Language "Down" keys to toggle through and select Chinese or English. Then double click "Up" key to confirm the selection.

[03] 一键还原设置 Restore Setting

1. 长按【向上】键进入菜单选项功能,通过【向上/下】键选中[系统设置(System)],双击进入后选中[一键还原(Restore)]。
Long hold "Up" key to enter menu settings. Use "Up" and "Down" keys to toggle through and select System. Double click "Up" key to confirm and select Restore.
2. 双击确定后通过【上下】键可选择[是/否],选中后双击【向上】键确认一键还原完成。
Double click "Up" key in Restore "Down" keys to toggle through YES or NO. Then double click "Up" key to confirm the selection.

[4] 显示方向设置 Display Directions Setting

1. 长按【向上】键进入菜单选项功能,通过【向上/下】键选中[系统设置(System)],双击进入后选中[显示方向(Disp Flip)]。
Long hold "Up" key to enter menu settings. Use "Up" and "Down" keys to toggle through and select System. Toggle through and double click "Up" key to select Directions.
2. 双击确定后通过【向上/下】键可选择[正常]或[反向]效果,选中后双击【向上】键确认。
Use "Up" and "Down" keys to toggle through and double click "Up" key to select Normal or Inverted.

固件升级说明 (Firmware Updates)

不装电池的情况下,同时按住【上】键和【下】键再插入Type-C数据线连接到电脑,将升级文件复制到控制器上,复制完成后会自动开机升级完成。
升级固件下载可通过TILTA官网对应的产品型号下载
When the battery is not installed, long hold both "Up" and "Down" keys at the same time, and connect the wireless controller to a computer via a USB-C cable. Copy the firmware file to the wireless controller. After the copying is complete, the wireless controller will automatically turn on and complete the firmware update. Please visit the Tilta official website to download firmwares for the products accordingly.