

ROKINON®

SP

14MM F2.4 INSTRUCTION MANUAL

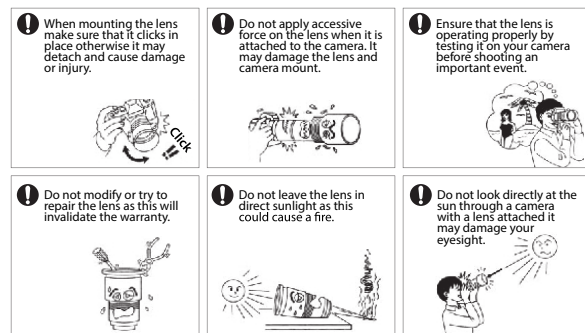


Thank you for purchasing the Rokinon SP 14mm F2.4 Full Frame lens. Its high performance optics and design have been optimized to meet the extreme capabilities of Canon and Nikon state of the art cameras.

ADVANTAGES

- Provides exceedingly high quality stills and video with both Full Frame and APS-C (crop sensor) cameras.
- Its F2.4 aperture provides superior low light capability, faster shutter speeds and greater depth field control compared to its counterparts.
- Its advanced optical design of 18 precision glass elements including 3 High Refractive Index, 2 Aspherical, 2 Extra Low Dispersion, and a Hybrid Aspherical type combine for excellent control of distortion and aberrations with increased center to edge resolution.
- Its all metal construction with an ergonomically designed shape and grip deliver a luxurious look, excellent durability and comfortable use.

⚠ CAUTIONS



To maintain your safety and prevent damage to the lens, please fully familiarize yourself with the following:

- Do not look directly at the sun through the lens as it may seriously impair your vision.

- Do not to apply excessive force when attaching the lens to the camera as it may cause damage to the lens or your camera.
- The lens is a precision optical product, so dropping or excessive impact may cause product failure.
- Attach or detach the lens only while the camera is turned off.
- Be careful not to touch or contaminate the contacts on the mount as it can adversely affect communication with the camera.
- Protect the lens from water, high humidity, excessive heat and cold.
- Always store the lens with the lens cap on in a dry and well ventilated location out of direct sunlight. Direct sunlight passing through the lens could become concentrated enough to cause a fire.
- Avoid subjecting the lens to drastic temperature changes such as moving from a very cold outdoors location to a warm indoors location. This can cause moisture in the air to condense inside or on the outside of the lens and lead to failure or mold production. Before taking the lens indoors from a cold outdoors location, put the lens in a plastic bag or sealed camera bag.

ATTACHING THE LENS

- Remove the rear lens cap and the camera body cap.
- Align the red dot on the lens mount with the index mark (dot) on the lens mount of the camera.
- Do not press the lens release button on the camera when mounting the lens.
- Insert the lens into the camera mount and rotate it clockwise (counterclockwise for Nikon Mount) until it “clicks” and locks in place. Do not insert the lens at an angle.
- Remove the front lens cap when you are ready to shoot.

DETACHING THE LENS

- Attach the front lens cap.
- While holding down the lens release button on the camera body, rotate the lens counterclockwise (clockwise for Nikon mount) until it stops and separate the lens from the body.
- Attach the rear lens cap.

FOCUSING

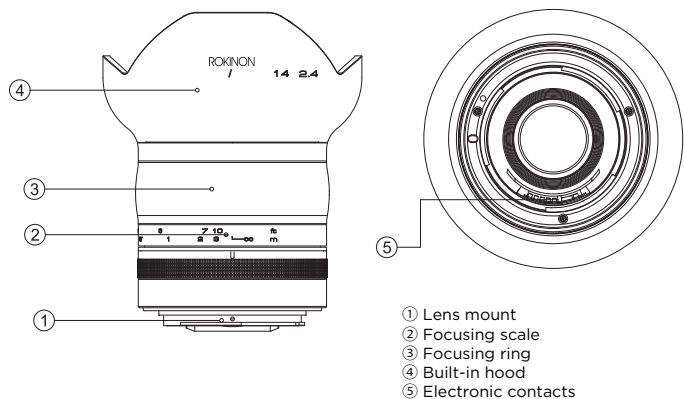
Please note: It can be difficult to achieve optimum focus using the unaided eye when focusing an extreme wide angle lens such as a 14mm. Check your camera's instruction book for manual focusing methods and focusing aids including Focus Confirmation and Focus Magnification.

- Set the Focus Mode of your camera to “MF” (Manual Focus). Adjust the focus by rotating the focusing ring on the lens until the focus confirmation indicator in your viewfinder confirms focus or the subject looks the sharpest.
- Another focusing option is to use the magnifying feature of “Live View”. Utilizing the highest magnification available, adjust the focus by rotating the focusing ring until the image on your LCD screen looks the sharpest.

CANON CAMERA F-NUMBER INDICATION

Please note: Canon cameras cannot indicate an aperture setting of F2.4. However, the SP 14mm F2.4 will deliver the performance of F2.4 when the camera shows F2.5 as the metering system measures the actual amount of light that reaches the image sensor.

PARTS



INCLUDED COMPONENTS

- Front lens cap
- Rear lens cap
- Warranty
- Soft lens pouch
- Instruction manual

CLEANING

Please note: It is extremely important before cleaning to dust off the lens surface using a lens blower or a soft brush to remove any foreign particles or grit that could scratch the lens.

- Using a clean microfiber lens cloth, gently wipe the lens in a circular motion from the center outwards towards the edges of the glass.
- If stubborn spots remain, put only one or two small drops of ethanol or reputable lens cleaner on the microfiber cloth and repeat the circular cleaning process. **DO NOT USE AN ORGANIC SOLVENT SUCH AS PAINT THINNER, ALCOHOL, OR BENZENE.**

PRODUCT SPECIFICATIONS

MODEL	SP 14mm F2.4	
MOUNT	Canon	Nikon
ANGLE OF VIEW	FULL FRAME	114.1°
	APS-C	86.2°
MAXIMUM DIAMETER X LENGTH	3.74" x 4.31" (95mm x 109.4mm)	3.74" x 4.21" (95mm x 106.9mm)
WEIGHT	26.3oz (745g)	26.0oz (738g)
APERTURE RANGE	F2.4-22	
OPTICAL CONSTRUCTION	18 elements in 14 groups (Including 2 Aspherical, 3 High Refractive Index, 2 Extra Low Dispersion and 1 Hybrid Aspherical)	
MINIMUM FOCUSING DISTANCE	11" (0.28m)	
MAXIMUM SHOOTING MAGNIFICATION	x 0.08	
FILTER SIZE	Not Applicable	
NUMBER OF APERTURE BLADES	9	

- The minimum focus is the distance from the image sensor to the object.
- The product specifications and design are subject to change without notice.

CONTACT

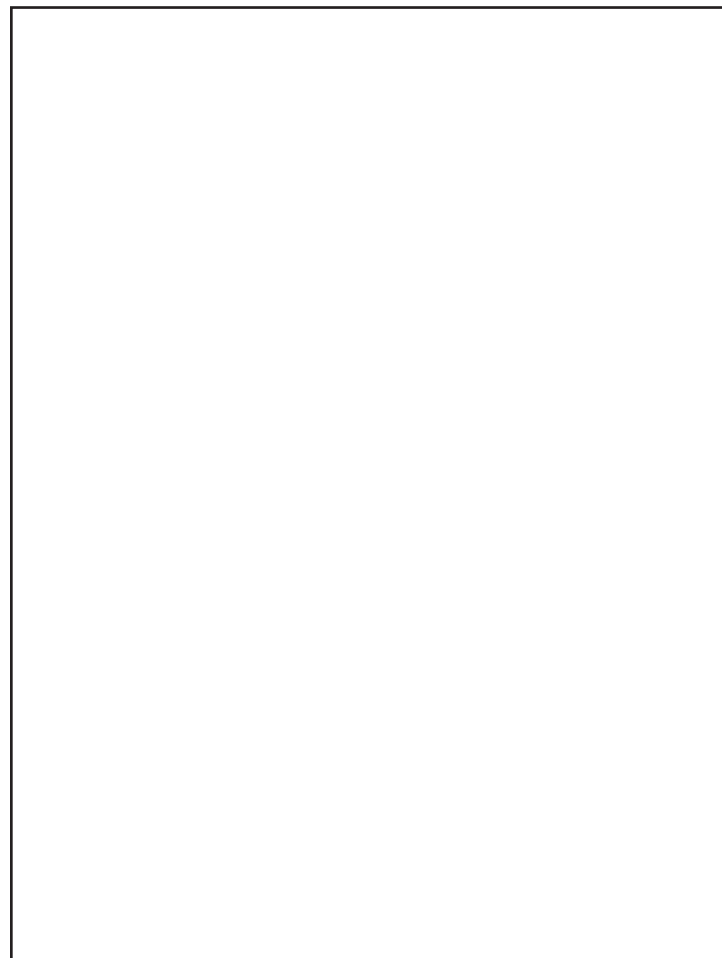
Elite Brands Inc.
Rokinon Division
New York, NY 10005

Toll Free: 800.441.1100
Phone: 212.947.7100
support@rokinon.com

rokinon.com
facebook.com/rokinonlenses

ROKINON® is a registered trademark of Elite Brands Inc.
©2017, Elite Brands Inc., New York, NY 10005

NOTES



NOTES

