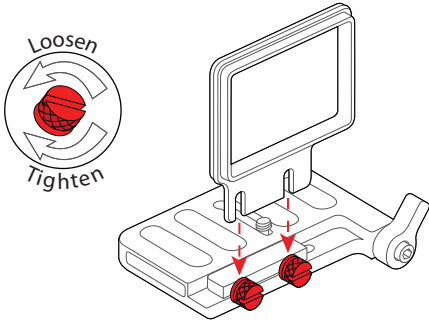


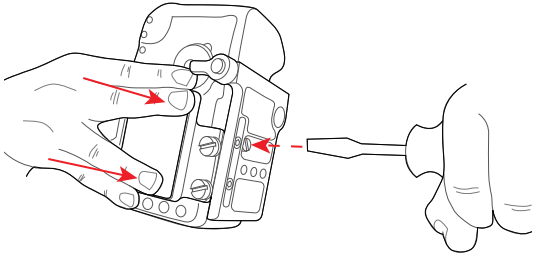


Operating your Z-Finder

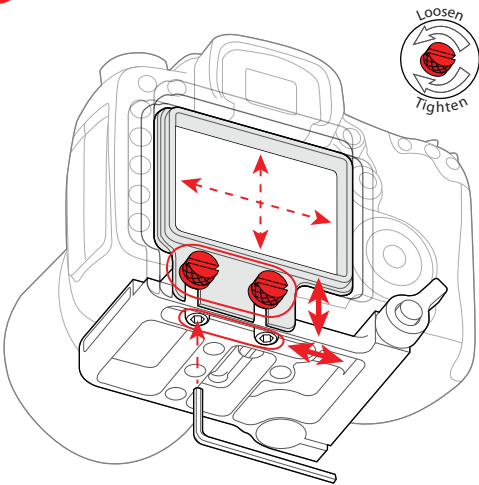
1 Attach frame to Gorilla Plate



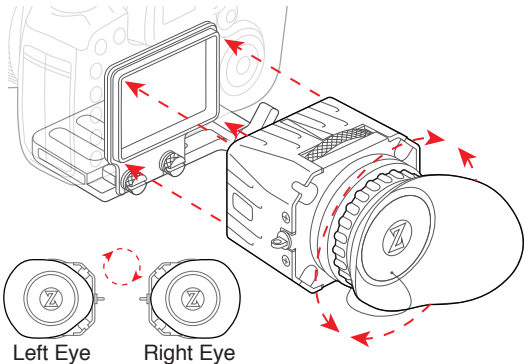
Press and hold frame against LCD and attach to camera with 1/4"-20 screw



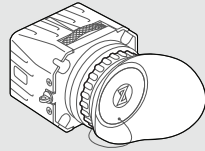
2 Center frame on camera LCD



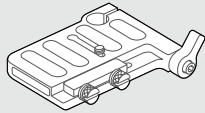
3 Rotate eyecup for desired position and attach Z-Finder to frame



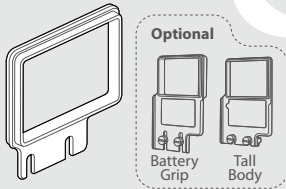
Included Parts:



x1 Z-Finder Pro

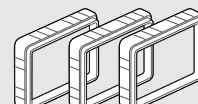
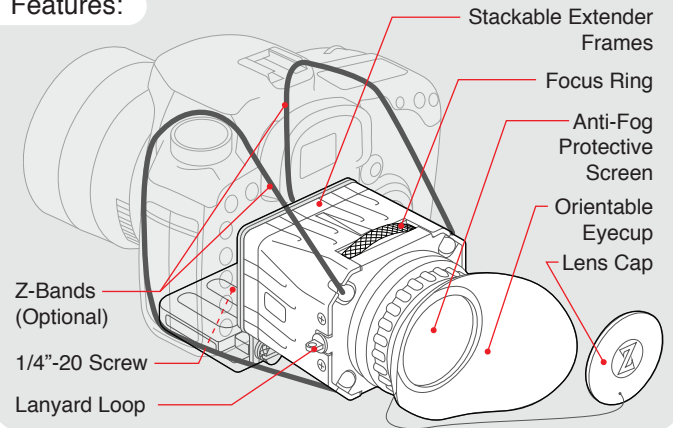


x1 Gorilla Plate



x1 Mounting Frame

Features:



x3 Extender Frames



x1 Anti-Fog Cover

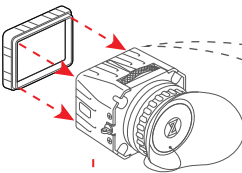
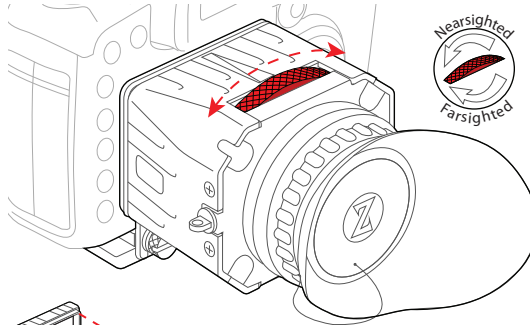


x1 Lanyard

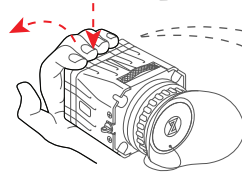


x1 5/32" Allen

4 Focus the Z-Finder (Use letters in menu screens to focus on)

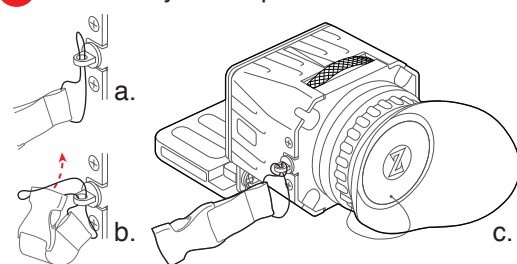


If focus can't be obtained, attach single extender frame until focus is achieved

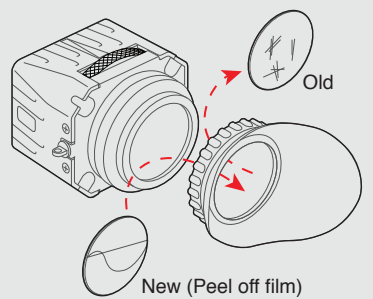


To remove extender frames, press down in middle and pull away

5 Install lanyard for protection

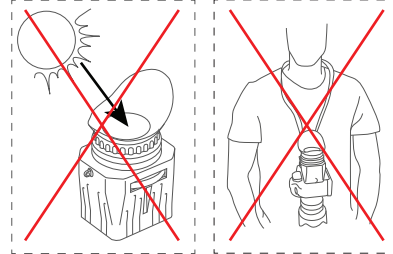


Installation of Anti-Fog Cover



⚠ Precautions

The anti-fog protective covers naturally have a tackier surface than standard lenses and thus need to be cleaned differently. **Do not** wipe anti-fog protective cover with a dry lens cloth or tissue. Use a micro fiber lens cloth or Kim Wipe type tissue and soak with water. Wipe the cover then let air dry.



For more information, watch our tutorial video at Zacuto.com