

11.5 cm / 4.52 "

SAMYANG OPTICS CO., LTD.

Instruction Manual

Front

Rear

XEENTM
X-EXPERIENCES

XEENTM
X-EXPERIENCES

11.5 cm / 4.52 "

11.5 cm / 4.52 "

11.5 cm / 4.52 "

ENGLISH

Contents

Information	_____	4
Safety Notice	_____	4
Product Configuration	_____	6
Dimensions	_____	7
Specifications	_____	8

11.5 cm / 4.52 "

Information

- This product can be used on cameras with full frame (or smaller) image sensors. (verify mount compatibility in these instructions)
- This product specification, configuration and appearance are subject to change without prior notice

Safety Notice

Warnings

- Do not use or store this product near devices generating heat such as heaters, thermal regulators, stoves and stereo amplifiers.
- Do not leave lens in the direct sunlight. Focused light may cause a fire.
- Do not look at the sun directly through the lens. It may cause injury or blindness.

Cautions

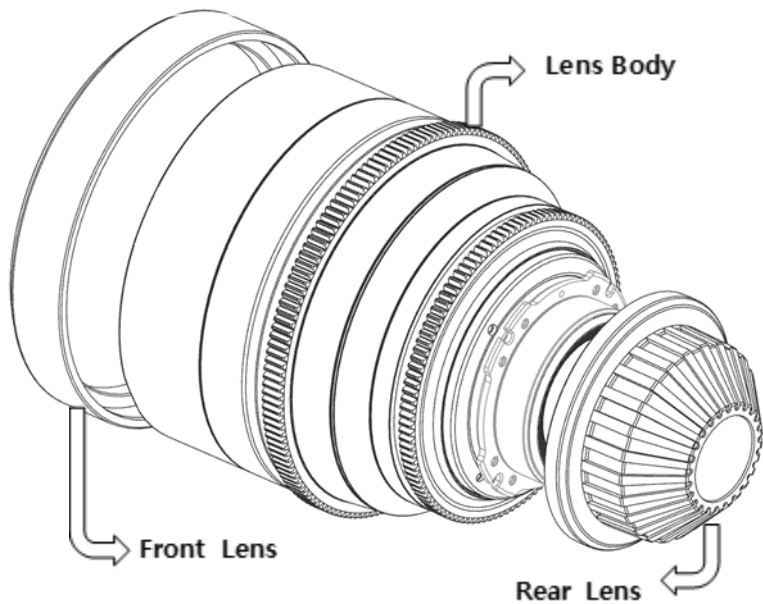
- Keep the lens out of children's reach.
- Do not touch the surface of lens or let it come into contact with sharp objects.
- Ensure lens is securely attached to the camera during use. If not, it may fall down and cause injury.
- Don't expose to water/liquid or excessive humidity
- Do not subject to extremes of temperature.
- Do not drop the lens.
- Do not expose to external shock or excessive weight to the lens attached to the camera. It may cause damage to the lens and camera mounts. Be sure to hold the lens when operating or moving.
- Do not modify or disassemble the lens. There are no user-serviceable parts and your warranty may be affected.
- If foreign material is stained on the surface of lens, please use lens cleaning kit only.

11.5 cm / 4.52 "

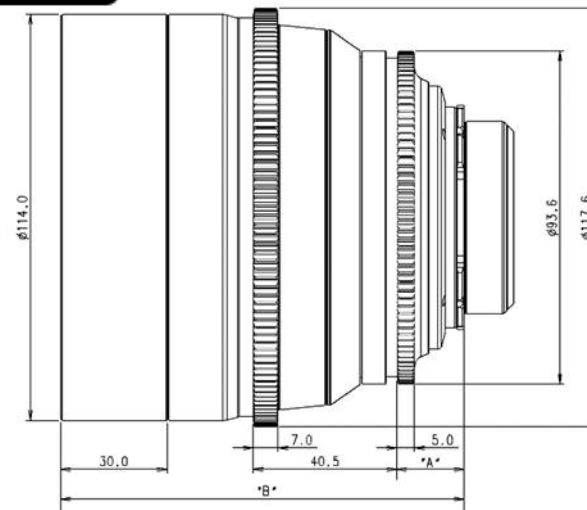
11.5 cm / 4.52 "

Product configuration

- Lens Body ----- 1
- Front Lens Cap ----- 1
- Rear Lens Cap -----1



Dimensions



Mount	A(mm)	B(mm)
PL	19.0	113.7
EF for Canon	29.0	121.7
F for Nikon	24.5	119.2
FE for Sony	53.0	147.7
Micro Four-Thirds	51.8	146.5