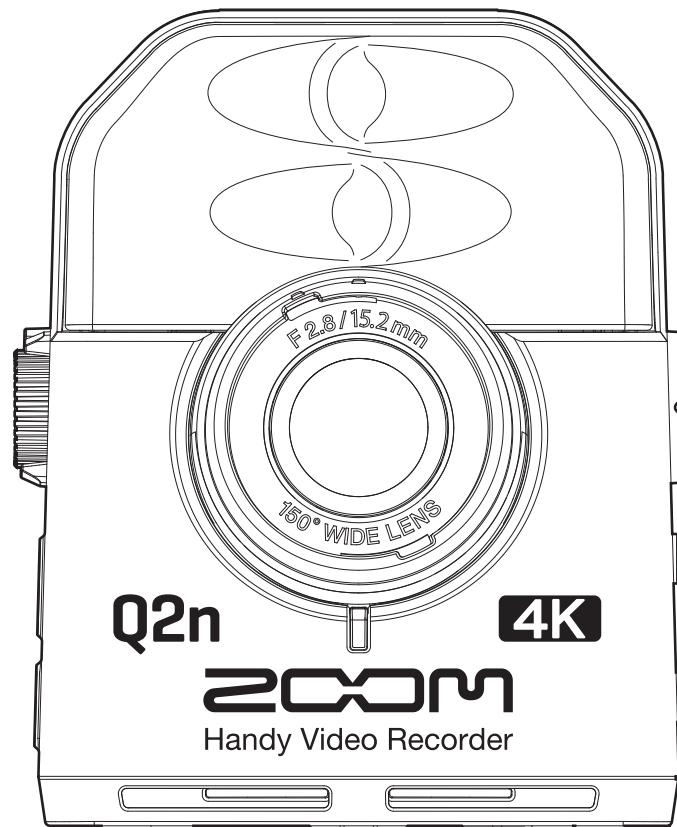


Q2n-4K

Handy Video Recorder



Version 2.0 Supplementary Manual

You must read the Usage and Safety Precautions before use.

Proper display is not possible on grayscale devices.

© 2020 ZOOM CORPORATION

Copying or reprinting this manual in part or in whole without permission is prohibited.

Product names, registered trademarks and company names in this document are the property of their respective companies. All trademarks and registered trademarks in this document are for identification purposes only and are not intended to infringe on the copyrights of their respective owners.


Functions added in Version 2.00

The Q2n-4K webcam function supports 1080p resolution from firmware version 2.0. By selecting the new 1080p option, even higher resolution images can be streamed using, for example, web media systems that support high-resolution streaming.

Contents

- Functions added in Version 2.00 2
- Contents 2
- Using as a web camera..... 3
 - Turning the power on when connected to a computer..... 6

Using as a web camera

1. Press  on the Recording Screen.



This opens the Setting Screen.

2. Press \rightarrow .

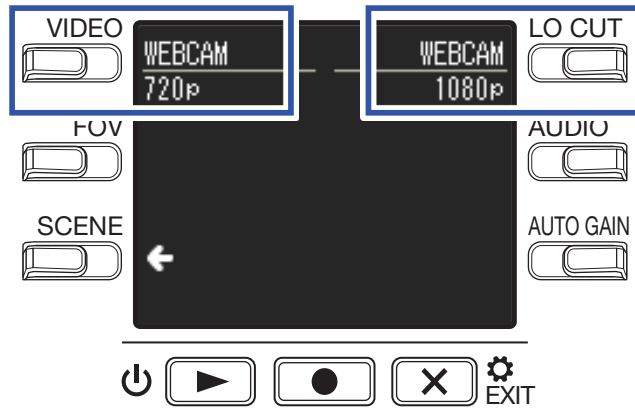


This opens the USB Connection Setting Screen.

3. Press the button for the web camera function.

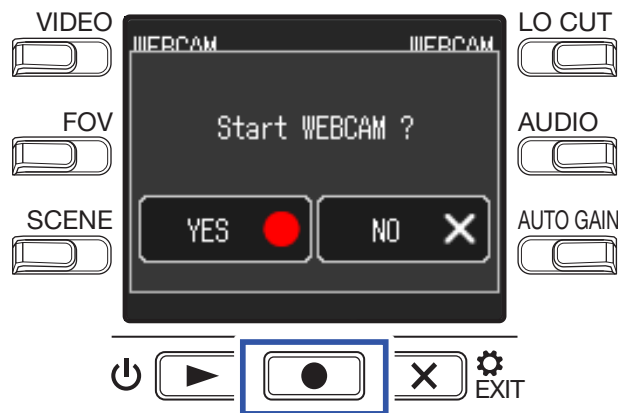


4. Select the web camera function resolution.



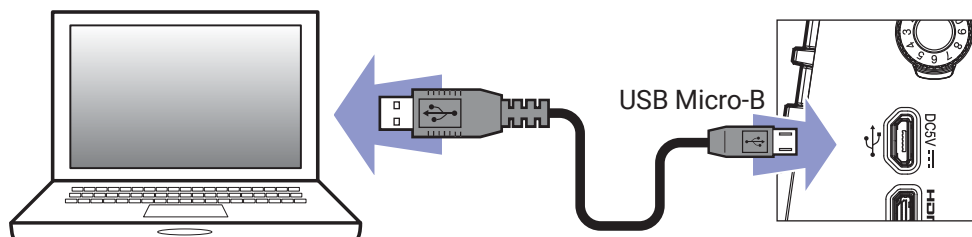
Setting	Explanation
720p	Video and audio with resolutions up to 720p (1280 x 720) and 48kHz/16-bit can be simultaneously transmitted to a computer. If operation is unstable due to transmission conditions or computer processing power, selecting 720p might make it stable.
1080p	Video and audio with resolutions up to 1080p (1920 x 1080) and 48kHz/16-bit can be simultaneously transmitted to a computer. High resolution images can be streamed using, for example, web media systems that support high resolution streaming.

5. Press  on the Confirmation Screen to select **YES** .



This activates the web camera function.

6. Use a USB cable to connect it to the computer.



NOTE

Web camera use is not possible with an iOS device.

- Launch an application that uses a camera on the computer, and select the Q2n-4K.

NOTE

Computer playback signals cannot be output from the Q2n-4K.

HINT

Refer to the manual for the application that you are using for the procedures to select the Q2n-4K.

- To end the connection, conduct the necessary disconnection procedures on the computer.

Compensating for lags between video and audio

If a timing difference occurs between the video and audio when using the recorder as a web camera, you can set an audio delay time so that it matches the timing of the video.

- During web camera use, press **DELAY**.



Press **DELAY** again repeatedly to lengthen the audio delay time.

Setting	Explanation
0.0 F	The delay time can be set in increments of 0.5 F. (1 F is 33 msec.) The maximum delay time is 10.0 F (330 msec).
↓	
10.0 F	

Turning the power on when connected to a computer

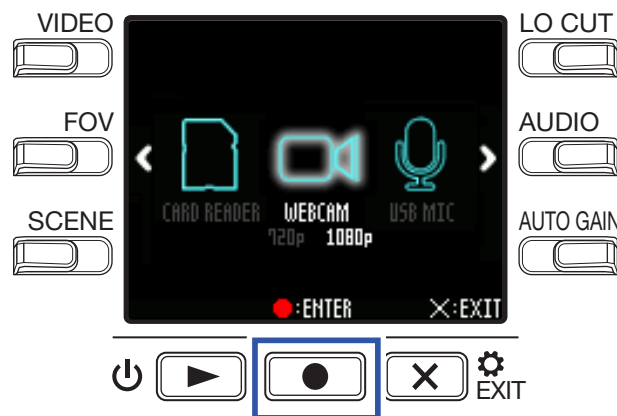
If the Q2n-4K power is turned on when connected to a computer, the USB function selection screen will open.

1. Use < and > to select the web camera resolution.



Setting	Explanation
720p	Video and audio with resolutions up to 720p (1280 x 720) and 48kHz/16-bit can be simultaneously transmitted to a computer. If operation is unstable due to transmission conditions or computer processing power, selecting 720p might make it stable.
1080p	Video and audio with resolutions up to 1080p (1920 x 1080) and 48kHz/16-bit can be simultaneously transmitted to a computer. High resolution images can be streamed using, for example, web media systems that support high resolution streaming.

2. Press  to confirm.



3. Press  on the Confirmation Screen to select **YES** ● .

This activates the web camera mode.



ZOOM CORPORATION

4-4-3 Kanda-surugadai, Chiyoda-ku, Tokyo 101-0062 Japan
zoomcorp.com

Z2I-4184-01