



Unique images for your next masterpiece

ZEISS Supreme Prime lenses



Opening up new dimensions.

ZEISS Supreme Prime Lenses

// INSPIRATION
MADE BY ZEISS



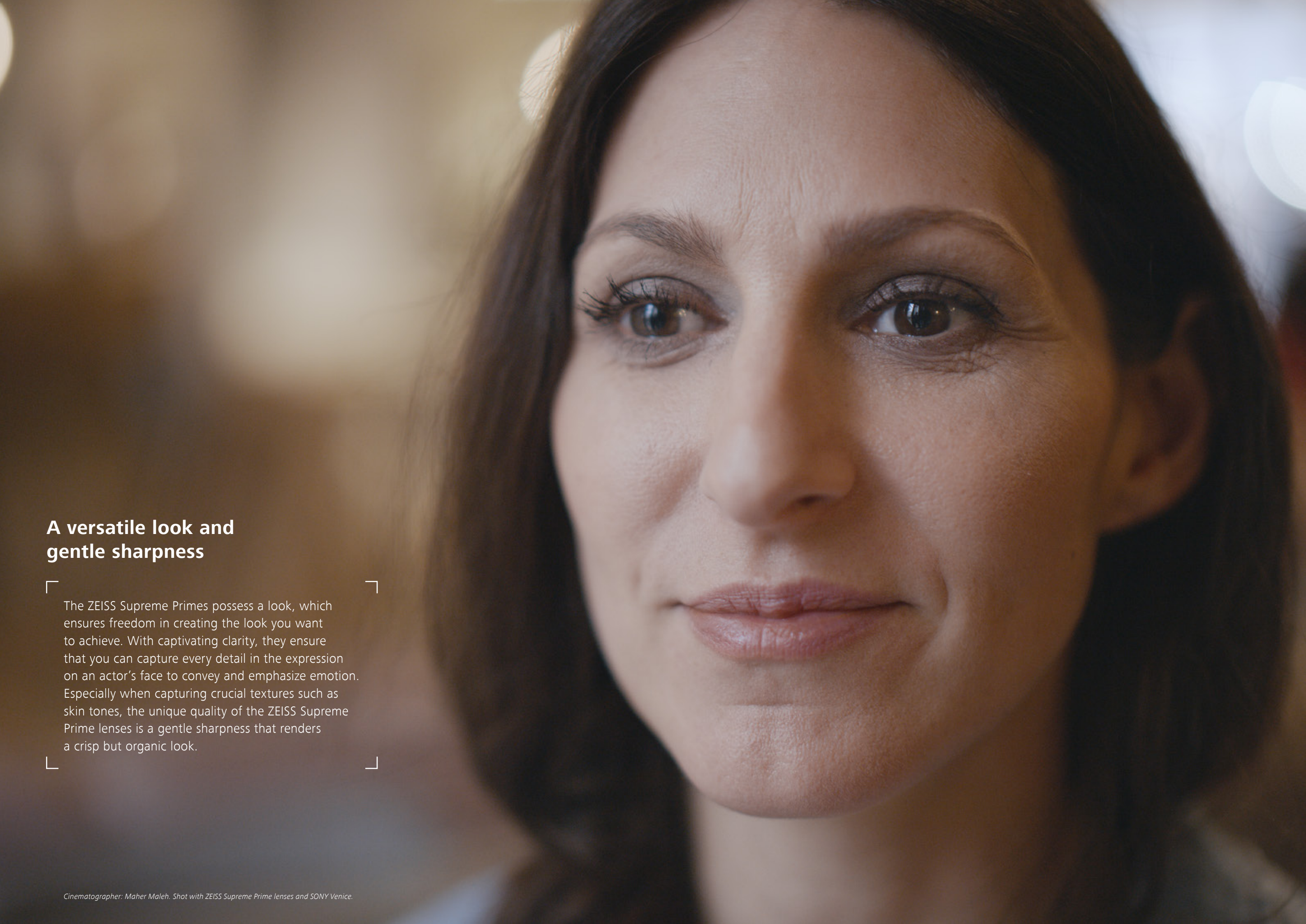
Cinematic large-format coverage and high speed

The ZEISS Supreme Prime lenses are designed for cinematic large-format sensor coverage, making them the ideal choice for current and future camera systems. At T1.5 the ZEISS Supreme Primes demonstrate their unsurpassed craftsmanship in tricky low-light environments. They give the creator absolute control by revealing subtly nuanced details in deep shadows and bright highlights.




Aesthetic focus fall-off and elegant bokeh

A very smooth transition between in-focus and out of focus areas characterize the unique look of the ZEISS Supreme Prime lenses. This adds richer texture and greater depth to the image. The lenses are developed for modern digital cinematography with cutting-edge optics and key enhancements to aid the HDR process. They maintain dynamic range and micro contrast levels fine-tuned to bring out details in the shadows and the mids.



A versatile look and gentle sharpness

The ZEISS Supreme Primes possess a look, which ensures freedom in creating the look you want to achieve. With captivating clarity, they ensure that you can capture every detail in the expression on an actor's face to convey and emphasize emotion. Especially when capturing crucial textures such as skin tones, the unique quality of the ZEISS Supreme Prime lenses is a gentle sharpness that renders a crisp but organic look.

A man in a grey sweater is operating a large ARRI camera on a film set. The camera is mounted on a dolly and has various accessories attached, including a lens, a viewfinder, and a microphone. In the background, there are monitors and studio equipment. The scene is dimly lit, with some lights visible in the background.

Efficiency and reliability throughout the entire production

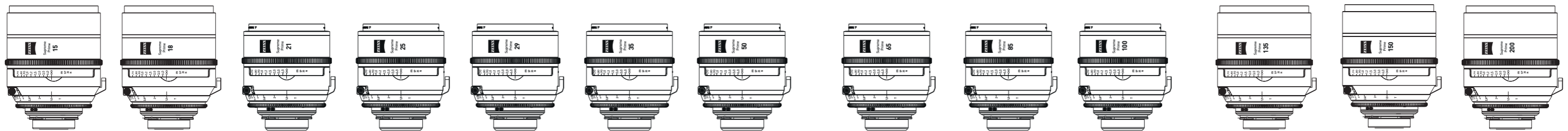
The unique ZEISS eXtended Data technology offers lens metadata critical for VFX-intensive productions and workflows on set. It unifies two data sets: key lens data based on the open *iF* Technology standard and supported by a wide range of cameras and accessories, plus ZEISS-specific lens data that contains precise shading and distortion characteristics of the lens. The frame accurate information about focal length, focusing distance, T-stop and depth-of-field enables the camera assistant to work more precisely and eliminates guesswork for the DIT. The ZEISS specific distortion and vignetting data makes shooting grids redundant and accelerates compositing and stitching in post-production.

Taking consistency to the next level

ZEISS Supreme Prime lenses

Consistency is one of the key elements offered by the ZEISS Supreme Prime lenses: that means consistent coverage, color rendering, aperture, size, weight and ergonomics. All the lenses across the family cover full frame and even bigger sensors with an image circle of 46.2 mm. The Supreme Prime lenses are color matched across the full range and most feature a fast T-stop of T1.5. The small front diameter of

95 mm on almost all lenses and standardized positioning of the focus and iris rings across the whole family facilitate fast and easy equipment changeout. The compact and lightweight design means you enjoy easy and comfortable handling. The ultra-smooth focus rotation of the Supreme Prime lenses even in extreme temperatures allows for small motors to make sure you have an easy setup that's enjoyable to work with.



15 mm / T1.8	18 mm / T1.5	21 mm / T1.5	25 mm / T1.5	29 mm / T1.5	35 mm / T1.5	50 mm / T1.5	65 mm / T1.5	85 mm / T1.5	100 mm / T1.5	135 mm / T1.5	150 mm / T1.8	200 mm / T2.1
Release 2020	Release 2020	Release 2019	Release 2018	Release 2018	Release 2018	Release 2018	Release 2019	Release 2018	Release 2018	Release 2019	Release 2019	Release 2020

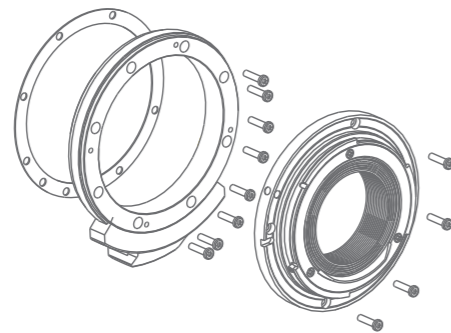


Learn more at www.zeiss.com/cine/ims

Ultimate flexibility

Interchangeable Mount System

The ZEISS Supreme Prime lenses are equipped with an easy-to-operate, interchangeable mount system. It enables a quick change from PL-mount to LPL-mount. This proven feature offers tremendous flexibility and is a future-proof investment in today's rapidly changing camera market. Each of the three mounts has an electrical interface for transferring ZEISS eXtended Data to the camera.



- Allows a mix of professional cine cameras, for maximum flexibility on set
- No loss of image quality due to adapter solutions
- Two different mounts available (PL and LPL)

User Interchangeable Lens Mounts



PL-mount
for ZEISS eXtended Data



ARRI* LPL-mount
for ZEISS eXtended Data

*ARRI is a registered trademark of Arnold & Richter Cine Technik GmbH. & Co Betriebs KG

Technical Data

ZEISS Supreme Prime lenses

	Release	Aperture	Close Focus ¹	Length ²	Front diameter	Weight	Horizontal Angle of View	
							Full-Frame ³	Super 35 ⁴
Supreme Prime 15 mm T1.8	2020	T1.8 to T22	tbd	tbd	114 mm / 4.5"	tbd	tbd	tbd
Supreme Prime 18 mm T1.5	2020	T1.5 to T22	tbd	tbd	114 mm / 4.5"	tbd	tbd	tbd
Supreme Prime 21 mm T1.5	Q3 2019	T1.5 to T22	0.35 m / 13.7"	119 mm / 4.7"	95 mm / 3.7"	1.5 kg / 3.3 lbs	79.5°	59.8°
Supreme Prime 25 mm T1.5	May 2018	T1.5 to T22	0.26 m / 10"	119 mm / 4.7"	95 mm / 3.7"	1.42 kg / 3.13 lbs	70.8°	52.3°
Supreme Prime 29 mm T1.5	May 2018	T1.5 to T22	0.33 m / 13"	121 mm / 4.8"	95 mm / 3.7"	1.61 kg / 3.55 lbs	64°	46.8°
Supreme Prime 35 mm T1.5	May 2018	T1.5 to T22	0.32 m / 13"	119 mm / 4.7"	95 mm / 3.7"	1.40 kg / 3.09 lbs	55°	39.6°
Supreme Prime 50 mm T1.5	May 2018	T1.5 to T22	0.45 m / 18"	119 mm / 4.7"	95 mm / 3.7"	1.22 kg / 2.69 lbs	39°	27.5°
Supreme Prime 65 mm T1.5	Q2 2019	T1.5 to T22	0.6 m / 2'	121 mm / 4.8"	95 mm / 3.7"	1.63 kg / 3.59 lbs	30.5°	21.3°
Supreme Prime 85 mm T1.5	May 2018	T1.5 to T22	0.84 m / 2'9"	119 mm / 4.7"	95 mm / 3.7"	1.42 kg / 3.13 lbs	24°	16.7°
Supreme Prime 100 mm T1.5	December 2018	T1.5 to T22	1.1 m / 3'9"	119 mm / 4.7"	95 mm / 3.7"	1.58 kg / 3.74 lbs	20,4°	14,2°
Supreme Prime 135 mm T1.5	Q3 2019	T1.5 to T22	1.35 m / 4'5"	146 mm / 5.7"	114 mm / 4.5"	2.1 kg / 5.4 lbs	15.6°	10.9°
Supreme Prime 150 mm T1.8	Q4 2019	T1.8 to T22	1.5 m / 4'11"	146 mm / 5.7"	114 mm / 4.5"	2.1 kg / 5.4 lbs	13.7°	9.5°
Supreme Prime 200 mm T2.1	2020	T2.1 to T22	tbd	tbd	114 mm / 4.5"	tbd	tbd	tbd

¹ Close focus distance is measured from the image plane

² Front to PL mount flange

³ Horizontal angle of view for a full-frame camera (aspect ratio 1:1.5, dimensions 36 mm x 24 mm / 1.42" x 0.94")

⁴ Horizontal angle of view for an ANSI Super 35 Silent camera (aspect ratio 1:1.33, dimensions 24.9 mm x 18.7 mm / 0.98" x 0.74")

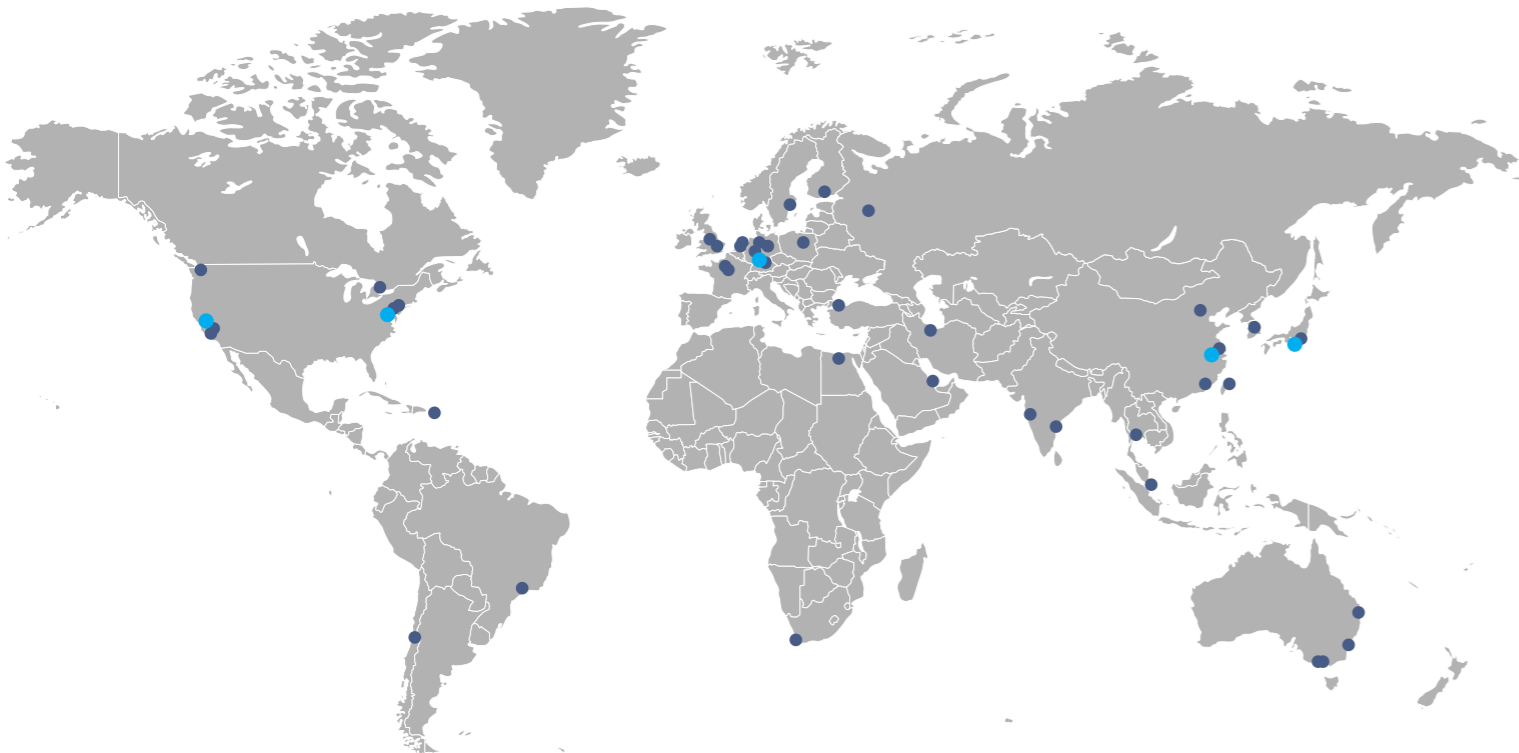
Made in Germany, used and maintained around the globe

Manufacturing and servicing ZEISS Cinematography lenses

ZEISS Cinematography lenses are designed and manufactured at ZEISS headquarters in Oberkochen, Germany. The lenses are assembled manually and engraved with individually calibrated scales. They have to meet the highest quality requirements and thus are produced with narrow tolerances. Before they leave the factory, every lens goes through a strict final quality and cleanliness check to ensure the unrivalled quality of these ZEISS products.

Our engineers develop all ZEISS Cinematography lenses with the goal of meeting the most demanding requirements in terms of optical results, ergonomics and durability. In

addition, serviceability is a top priority starting in the initial stages of the development process. In order to show partners and customers how easily ZEISS lenses can be serviced, ZEISS provides professional service trainings. This way we ensure fast and efficient local service for the users of ZEISS Cinematography lenses wherever needed. Since we launched these service trainings years ago, ZEISS has built up a global service network in the recent years with authorized service stations offering service according to factory standards in the US, Europe and Asia.



- Authorized Service Stations
Offer service according to factory standard
- Level 4 Service Stations
ZEISS qualified business partners who offer certain repair jobs to provide fast local support

Find your nearest service station at
www.zeiss.com/cine/service

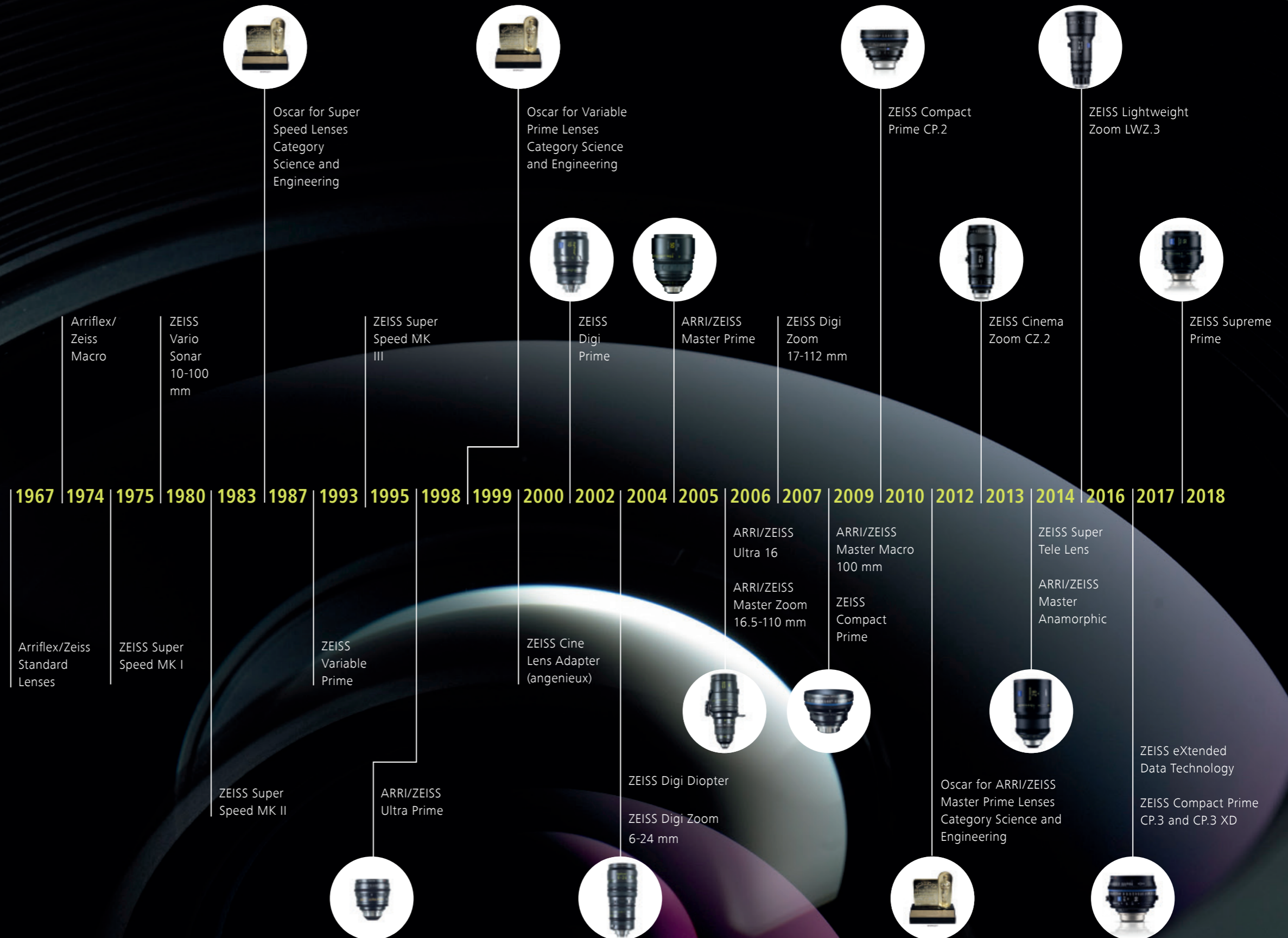


Turning imagination into a motion picture

ZEISS Cinematography lenses

While the cinematographer pays attention to every detail of the image to tell the story, ZEISS pays attention to every detail of manufacturing lenses so that they support the cinematographer in bringing these stories to life. With more than fifty years of experience in cinematography lenses the ZEISS brand is known for quality and reliability, and we put all our passion into crafting optics that serve the artistic pursuits of cinematographers.

In its long history, ZEISS has created some of the most pioneering products the industry has ever seen: The early ZEISS Super Speeds that are still among the most-beloved cinematography lenses out there. The ARRI/ZEISS Ultra Primes, which have come to be known as work horses in the industry. The ARRI/ZEISS Master Prime and ARRI/ZEISS Master Anamorphic lens series, which are the products of engineering excellence. And eXtended Data technology which bridges the gap between production and post-production – an absolute must in modern filmmaking.



Carl Zeiss AG
Consumer Products
Carl-Zeiss-Strasse 22
73446 Oberkochen
Germany

www.zeiss.com/cine

LENSPIRE
Cinematography



Become part of the ZEISS community
www.zeiss.com/cine/social