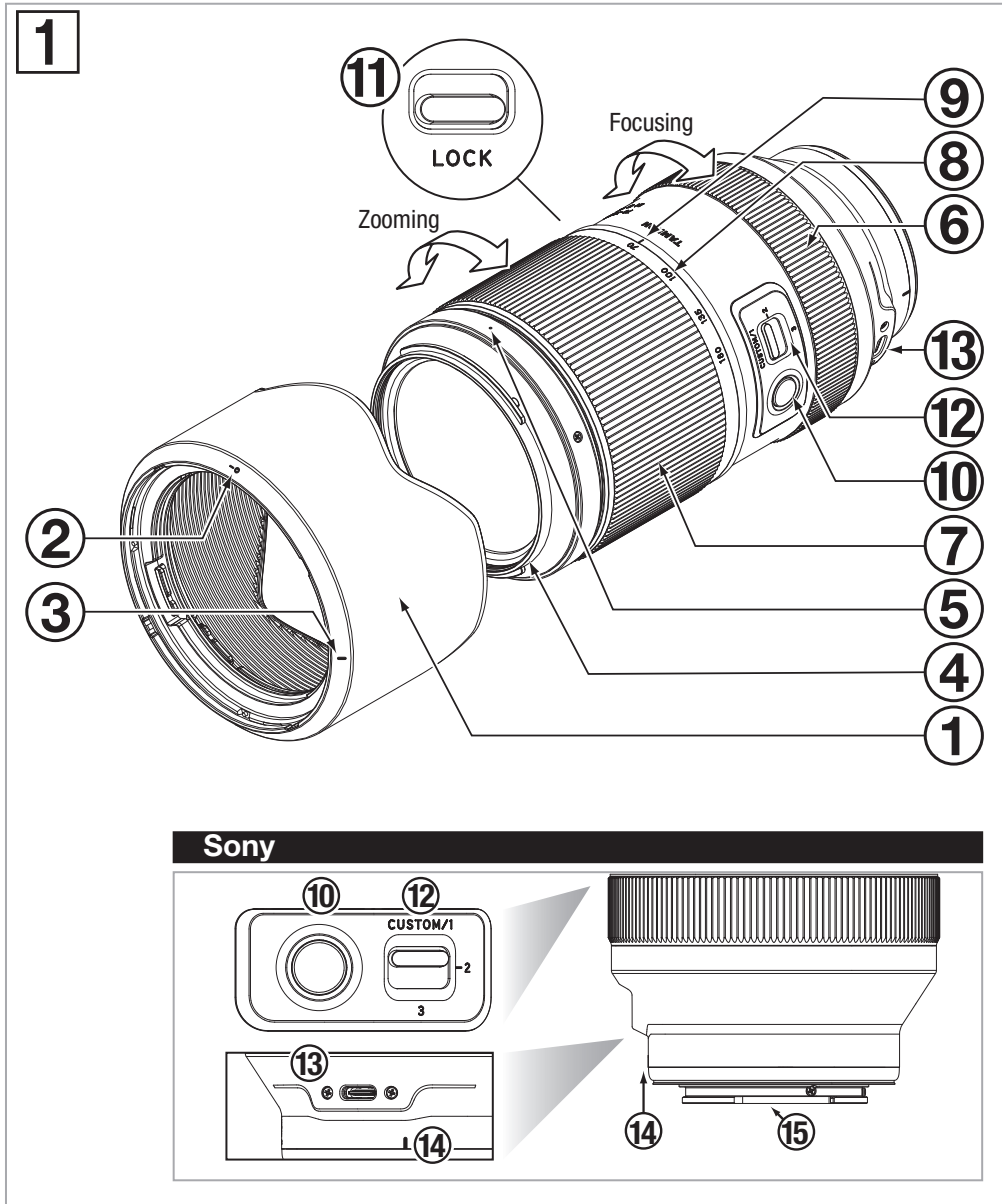


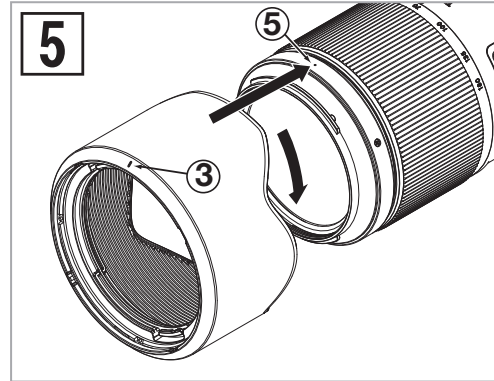
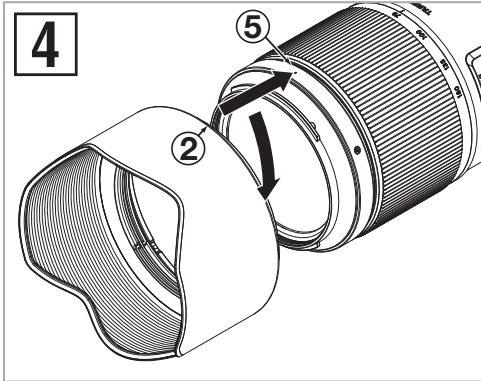
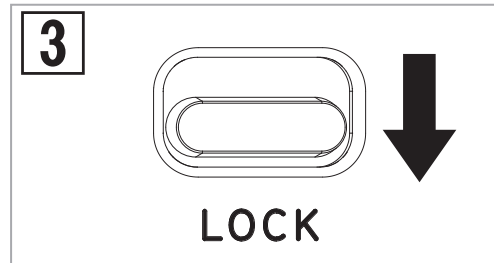
# TAMRON

Model: A065 Owner's manual

## 70-180mm F/2.8 Di III VC VXD G2

For Sony E





**CE** \* The **CE** Marking is a directive conformity mark of the European Community (EC).  
\* Das **CE**-Zeichen entspricht der EC Norm.  
\* La marquage **CE** est un marquage de conformité à la directive CEE (CE).  
\* La marca **CE** es marca de conformidad según directiva de la Comunidad Europea (CE).  
\* Il marchio **CE** attesta la conformità alla direttiva della Comunità Europea (CEE).  
\* **CE** 标志表示符合欧洲共同体 (EC) 指标

**CE** The EEC Conformity Report applies to the Council Directive 2014/30/EU, 2011/65/EU and is used by Tamron Co., Ltd., manufacturer of this product.

# ENGLISH

Thank you for purchasing this Tamron lens. Before using your new lens, please read the contents of this Owner's manual to properly use the lens. Also, it will be important to read the manual of the camera to which you will attach the lens.

After reading, store this Owner's manual in a safe place.

Please read also the document "Precautions for Safe Use of Tamron Lenses" supplied with the lens for the detailed safety precautions to observe when using Tamron lenses.



- Explains precautions that help to prevent problems.



- Explains things you should know in addition to basic operations.

## PART NAMES (Refer to Fig. 1)

- |                                  |                                 |
|----------------------------------|---------------------------------|
| ① Lens hood                      | ② Hood attaching alignment mark |
| ③ Hood locking mark              | ④ Filter ring                   |
| ⑤ Hood release mark              | ⑥ Focus ring                    |
| ⑦ Zoom ring                      | ⑧ Focal length scale            |
| ⑨ Focal length mark              | ⑩ Focus set button              |
| ⑪ Zoom lock switch               | ⑫ Custom switch                 |
| ⑬ Connector port                 | ⑭ Lens attachment mark          |
| ⑮ Lens-camera interface contacts |                                 |

## MAIN SPECIFICATIONS

|                               |  |
|-------------------------------|--|
| Model                         | A065   |
| Focal Length                  | 70 - 180 mm                                  |
| Maximum Aperture              | F/2.8  |
| Angle of View (diagonal)      | 34°21' - 13°42'                              |
| Optical Construction          | 15/20  |
| Minimum Object Distance (MOD) | 0.3 m (11.8") (Wide) / 0.85 m (33.5") (Tele) |
| Maximum Magnification Ratio   | 1:2.6 (Wide MOD) / 1:4.7 (Tele MOD)          |
| Filter Size                   | ø 67 mm                                      |
| Length                        | 156.5 mm (6.2")                              |
| Maximum Diameter              | ø 83 mm                                      |
| Weight                        | 855 g (30.2 oz)                              |
| Lens Hood                     | HA065  |
| Connector Type                | USB Type-C                                   |



- Length : From front end of the lens to mount surface.
- Specifications, appearance, functionality, etc., are subject to change without prior notice.

## ATTACHING AND REMOVING THE LENS

Remove the rear cap of the lens. Align the lens attachment mark ⑭ and mounting mark on the camera, and then insert the lens.

Turn the lens clockwise until it locks.

To remove the lens, turn the lens in the opposite direction while pressing the lens release button on the camera.



- Turn off the power of the camera before attaching or removing the lens.



- For details, please read the instruction manual of your camera.

## SWITCHING FOCUS MODE

Select the desired focus mode on the camera.

For manual focusing, turn the focus ring ⑥ to acquire the desired focus.

For details, please read the instruction manual of your camera.



- Under AF mode, there may be difficulty for autofocus to work depending on the subject.

## VIBRATION COMPENSATION

The VC (Vibration Compensation) mechanism reduces image blur caused by hand-held shooting.

### ■ How to use VC

To activate VC, set your camera steady shot function "ON" in the camera. If the VC is not needed, turn the steady shot function "OFF".

Press the shutter button halfway and confirm that the viewfinder image is stable before taking a picture.

#### ● VC is effective under the following conditions

- Dimly lit locations
- Locations where flash photography is prohibited
- Locations where tripod cannot be used

#### ● VC may not perform sufficiently under the following conditions

- When a photograph is taken from a vehicle that is shaking greatly
- Shooting during excessive movement of the camera
- When shooting while using a tripod
- Deactivate steady shot setting in the camera when taking pictures under bulb photography (long exposures). Otherwise, VC may cause a malfunction.



- The viewfinder image may become blurred immediately after the shutter button is pressed halfway. This is due to the principles of VC and not a malfunction.
- When using VC, the total number of images recordable will be reduced due to the camera power consumption.
- Deactivate the vibration compensation in the camera settings when you are shooting while the camera is secured by something other than your hand (such as a tripod).
- You may feel the lens rattle when the camera is turned off or when the lens is removed from the camera. This is not a malfunction.
- For details, please read the instruction manual of your camera.

## FOCUS SET BUTTON (Ref. Fig. 1)

Press the focus set button ⑩ to use the function that has been assigned from the camera.  
See the manual of the camera for more details.

## CONNECTOR PORT (Ref. Fig. 1)

Lenses with the connector port ⑬ can be connected to a computer using the TAMRON connection cable (sold separately). Then, using the dedicated "TAMRON Lens Utility™" application, you will be able to update the firmware and register functions to the custom switch ⑫. See the online help of "TAMRON Lens Utility" using the link below for more details.  
<https://www.tamron.com/jp/consumer/support/help/lensutility/en/>



- Do not use the TAMRON connection cable (sold separately) for any purpose other than connecting the TAMRON lens equipped with a connector port to a computer.
- Tamron will not bear any responsibility for any loss or damage of data in use of the TAMRON connection cable (sold separately).

## CUSTOM SWITCH (Ref. Fig. 1)

Using the custom switch ⑫, you can switch the functions registered to the lens with the dedicated "TAMRON Lens Utility" application.

## ZOOMING (Ref. Fig. 1)

Turn the zoom ring ⑦ to adjust the focal length (Zoom position) to a desired position.

## ZOOM LOCK (Ref. Figs. 1, 2, 3)

You can lock the zoom ring ⑦ at a focal length of 70mm to keep it from rotating.

### ■ Setting the zoom lock (Ref. Fig. 2)

Align 70mm on the focal length scale ⑧ with the focal length mark ⑨.  
Set the zoom lock switch ① toward the subject.

### ■ Releasing the zoom lock (Ref. Fig. 3)

Set the zoom lock switch ① toward the camera.



- To zoom, release the lock, and then rotate the zoom ring ⑦.

## LENS HOOD (Ref. Figs. 1, 4, 5)

The hood ① can eliminate stray light that may affect the picture.

### ■ Using the lens hood (Ref. Fig. 4)

Align the hood attaching alignment mark ② of the hood with the hood release mark ⑤ of the lens.  
Rotate the hood ① in the direction of the arrow until the hood locking mark ③ meets the hood release mark ⑤.

### ■ Stowing the lens hood (Ref. Fig. 5)

Attach the hood ① in reverse and rotate it until it locks.



- Be aware that the periphery of the photographed image may be darkened if the hood ① is not attached properly.

## USAGE PRECAUTIONS

- An internal focusing (IF) system is employed to reduce the minimum focus distance. The angle of view may be wider than that of lenses with other focusing systems when shooting at a distance less than infinity.
- The lens hood or the lens barrel may block the light from the flash. It is recommended to perform trial shooting in advance.
- Differences in the display systems of cameras may cause to show values different from the maximum and minimum aperture values from the specifications. This is not an indication of an error.
- Do not touch the lens-camera interface contacts ⑮ with your fingers. Otherwise, it may cause a malfunction.
- If the temperature changes suddenly, condensation may form and cause malfunctions.
- The front lens is covered with stain-proof coating. After removing the dust on the lens surface with a blower or another means, wipe it with a dry cloth.
- Never use benzene, thinner, or other organic solvents to clean the lens.
- Store the lens in a clean and well-ventilated place.
- For more details on the lens cleaning and storage, the compatibility with cameras, and other support information see our website.  
<https://www.tamron.com/global/consumer/support/>



### Disposal of Electrical and Electronic Equipment in Private Households. Disposal of used Electrical & Electronic Equipment (Applicable in the European Union and other European countries with separate collection systems)

This symbol indicates that this product shall not be treated as household waste.

Instead it shall be collected separately for the recycling of electrical and electronic equipment.

If the new products are purchased, this product might be handed over to the distributor or the collection system of waste electrical and electronic equipment eventually.

By ensuring this product is disposed of correctly, you will help prevent potential negative consequences for the environment and human health, which could otherwise be caused by inappropriate waste handling of this product or components of this product.

If this product is disposed illegally, it might cause a possibility of penalties. For more detailed information about recycling of this product, please contact your local Civic Office, your household waste disposal service or the shop where you purchased the product.

# TAMRON

# ENGLISH

## Precautions for Safe Use of Tamron Lenses

For safe operation be sure to carefully read this "Precautions for Safe Use of Tamron Lenses" and the manual before using the product.

After reading them, store them in a place where they can easily be reviewed whenever needed.

Caution instructions are divided into the following two categories according to the degree of danger involved.



### WARNING

This indicates instructions which if not followed or if performed incorrectly could lead to death or serious injury.

- Do not view the sun or other strong light source directly through the lens or through a camera while using this lens.  
Doing so could cause loss of vision, damage to the lens and/or the camera, and possibly cause the lens and/or camera to ignite.
- Do not disassemble, repair, or modify the lens.  
This could damage the lens or camera.
- Keep the lens out of the reach of small children.  
There is a risk of injury if the lens is dropped or falls down.



### CAUTION

This indicates instructions which if not heeded or if performed incorrectly could lead to bodily injury or physical damage

- Do not place lens in direct sunlight or leave it in an extremely hot place such as inside a car. Doing such could damage the internal parts of the lens or cause a fire.
- Always attach the lens cap whenever the lens is not in use.
- When attaching the lens to the camera, ensure that the lens has been properly attached to the camera and firmly locked.  
If the lens is not attached properly, it could be difficult to remove or it could fall off causing damage or injury.
- Do not use this lens for any application other than photography.
- Do not carry around the lens while it is still attached to a tripod.
- Regarding the lens equipped with a connector port
  - 1) Place the lens in a stable location when customizing the lens using the dedicated application (TAMRON Lens Utility™). Make sure not to let it fall or impact the lens.
  - 2) When connecting the lens to a computer, use a Tamron connection cable (sold separately).
  - 3) Do not touch the connector port with your fingers or a metal object. Also, prevent dust or water from adhering to the connector port. If the connector port is dirty, it may cause connection problems.
- Tamron will not be responsible for damages caused by a failure, a fire, or other accidents that may occur when using an accessory other than Tamron accessories. Note that in case of such damage, repair of the Tamron lens will be charged since it is not covered by the warranty.