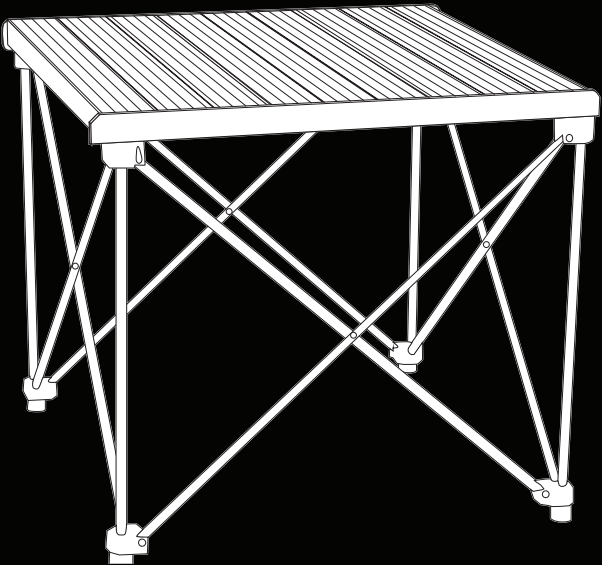




AXLER®



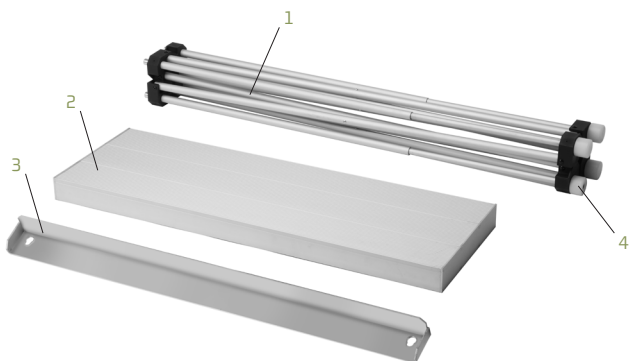
PSR-33 / PSR-44

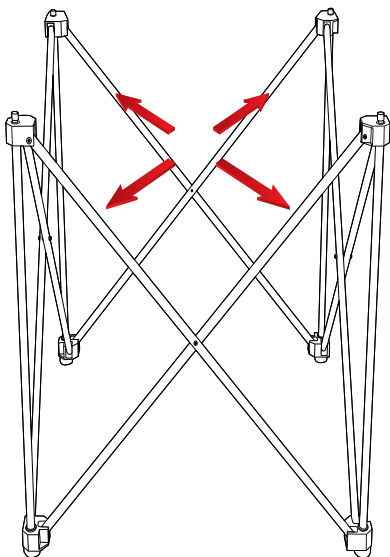
PORTABLE MEDIUM DUTY  
SHOOTING RISER

QUICK-START  
GUIDE

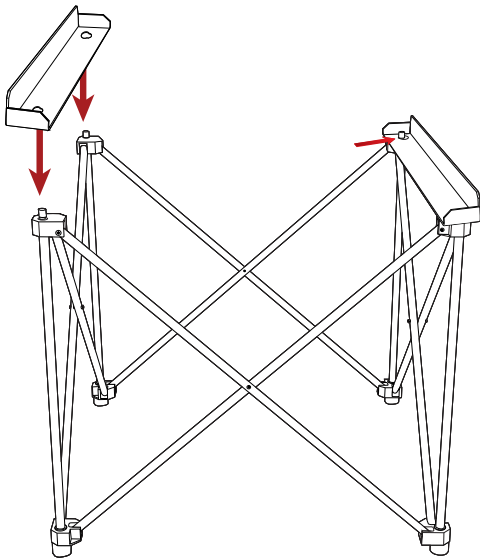
## OVERVIEW

1. Foldable legs
2. Platforms (×3)
3. Support rails (×2)
4. Leveling foot
5. Carrying cases

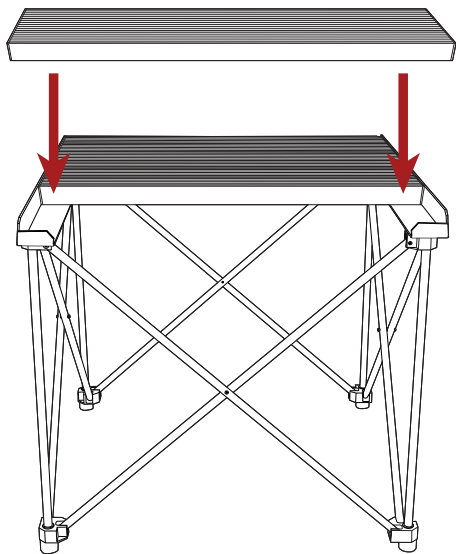




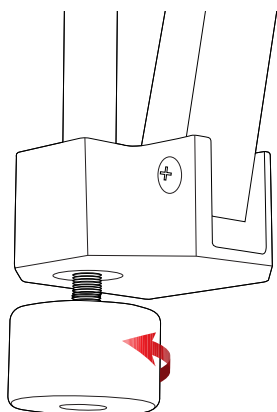
1. Expand the foldable legs



2. Attach the support rails onto the mounting posts, and slide to lock in place



3. Seat the platforms onto the support rails



4. To level out the platform on uneven ground, rotate the leveling foot

## PRECAUTIONS

- Please read and follow these instructions, and keep this manual in a safe place.
- Do not exceed the maximum weight of 450 pounds (204 kg).
- Be careful not to trap your hands and fingers when assembling and disassembling the legs and platforms.
- Handle the unit with care.
- Clean the unit with a damp cloth.
- Use only parts provided by the manufacturer.
- Make sure that this product is intact and that there are no missing parts.
- Make sure everything is secure before use.
- All images are for illustrative purposes only.

SPECIFICATIONS		PSR-33	PSR-44
Max load capacity		450 lb. (204 kg)	450 lb. (204 kg)
Assembled dimensions (H × W × D)		33 × 36 × 36 in. (83.8 × 91.4 × 91.4 cm)	39 × 48 × 48 in. (99.1 × 121.9 × 121.9 cm)
Bag dimensions (L × W × H)	Legs	47 × 6 × 6 in. (119.4 × 15.2 × 15.2 cm)	58.5 × 6.5 × 6.5 in. (148.6 × 16.5 × 16.5 cm)
	Platforms	38 × 13.5 × 8 in. (96.5 × 34.3 × 20.3 cm)	49 × 13 × 9.5 in. (124.5 × 33 × 24.1 cm)
Weight		39 lb. (17.7 kg)	58 lb. (26.3 kg)



**AXLER®**

## ONE-YEAR LIMITED WARRANTY

This Axler product is warranted to the original purchaser to be free from defects in materials and workmanship under normal consumer use for a period of One (1) year from the original purchase date or thirty (30) days after replacement, whichever occurs later. The warranty provider's responsibility with respect to this limited warranty shall be limited solely to repair or replacement, at the provider's discretion, of any product that fails during normal use of this product in its intended manner and in its intended environment. Inoperability of the product or part(s) shall be determined by the warranty provider. If the product has been discontinued, the warranty provider reserves the right to replace it with a model of equivalent quality and function.

This warranty does not cover damage or defect caused by misuse, neglect, accident, alteration, abuse, improper installation or maintenance. EXCEPT AS PROVIDED HEREIN, THE WARRANTY PROVIDER MAKES NEITHER ANY EXPRESS WARRANTIES NOR ANY IMPLIED WARRANTIES, INCLUDING BUT NOT LIMITED TO ANY IMPLIED WARRANTY OF MERCHANTABILITY OR FITNESS FOR A PARTICULAR PURPOSE. This warranty provides you with specific legal rights, and you may also have additional rights that vary from state to state.

To obtain warranty coverage, contact the Axler Customer Service Department to obtain a return merchandise authorization ("RMA") number, and return the defective product to Axler along with the RMA number and proof of purchase. Shipment of the defective product is at the purchaser's own risk and expense.

For more information or to arrange service, visit [www.axlersupports.com](http://www.axlersupports.com) or call Customer Service at 212-594-2353.

Product warranty is provided by the Gradus Group.  
[www.gradusgroup.com](http://www.gradusgroup.com)

Axler is a registered trademark  
of the Gradus Group.



© 2017 Gradus Group LLC. All Rights Reserved.

[www.AxlerSupports.com](http://www.AxlerSupports.com)