

Turning Your Camera On

Now that you've attached a lens, you will need to supply power to your camera. Blackmagic Pocket Cinema Camera can be powered by inserting an LP-E6 battery into the camera, or from two NP-F570 batteries in Blackmagic Pocket Camera Battery Grip, or by plugging the supplied power adapter into the power input.

Inserting a Battery and Powering your Camera

Your camera uses standard removable LP-E6 type batteries. One is included with the camera, but if you need additional batteries, they can be purchased from your Blackmagic Design reseller or from most video or photography equipment stores.

- 1 On the underside of the camera, press the door release to open the battery door.
- 2 With the contacts facing the terminal, insert the LP-E6 type battery until you feel it click into place under the locking tab.

TIP To release the battery, push the locking tab towards the front of the camera and the battery will eject.

- 3 Close the door to the battery terminal and gently push until it clicks into place.
- 4 Move the power switch on the top of your camera to the 'on' position. To turn off the camera, move the power switch to the 'off' position.

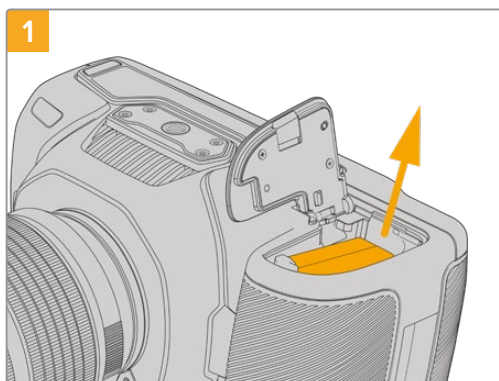
Using a Blackmagic Pocket Camera Battery Grip

If you have a Blackmagic Pocket Camera Battery Grip then it's a good idea to install it now before you continue. The Blackmagic Pocket Camera Battery Grip is designed to fit the Pocket Cinema Camera 6K and Pocket Cinema Camera 4K models.

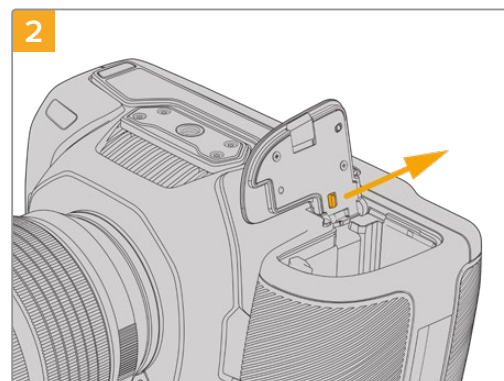
The battery grip adds a horizontal handle to your camera and holds two NP-F570 L-Series batteries so you can shoot continuously for over two hours. The 12 V DC input can recharge the batteries in the grip or provide uninterrupted power to the camera while changing the batteries. You can use the USB-C port to recharge batteries in the grip while the camera is switched off.

To attach Blackmagic Pocket Camera Battery Grip:

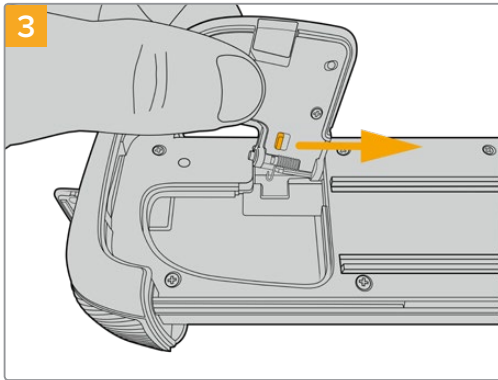
Before you start attaching Blackmagic Pocket Camera Battery Grip, switch off your Pocket Cinema Camera and unplug any external power source.



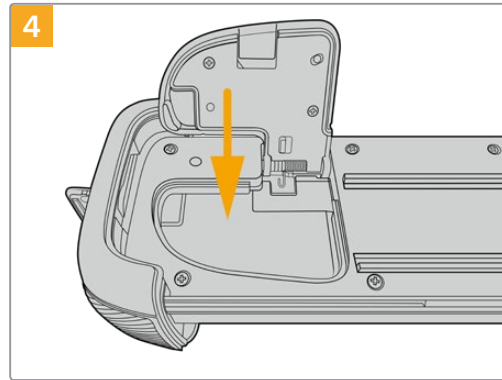
1 Open the camera battery compartment and remove the LP-E6 battery.



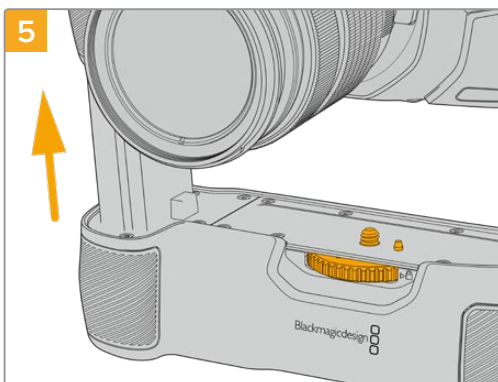
2 Slide the tab near the hinge of the battery compartment cover and remove the cover from the camera.



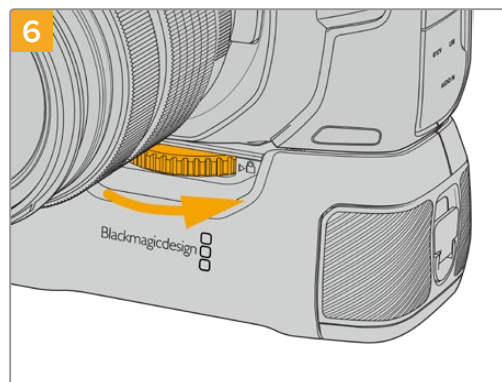
For safe storage of the battery compartment cover, clip it into the recess on the underside of the battery grip tray.



Close the battery compartment cover so it sits level with the underside of the battery grip tray.

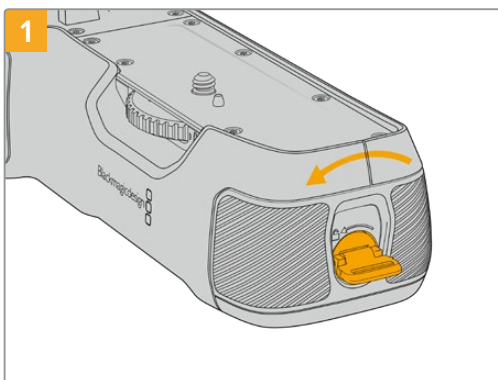


Insert the battery shaped part of the camera grip into the battery compartment of your camera. The 1/4 inch screw on top of the battery grip should line up with the 1/4-20 mounting point on the base of the camera. A small pin next to the 1/4 inch screw helps maintain correct alignment.

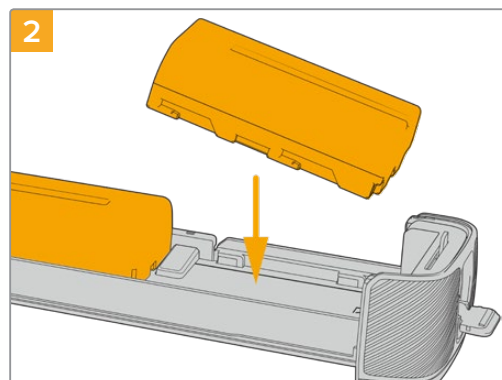


Turn the knob on the front of the battery grip to the right to tighten the screw firmly and secure the battery grip to the camera.

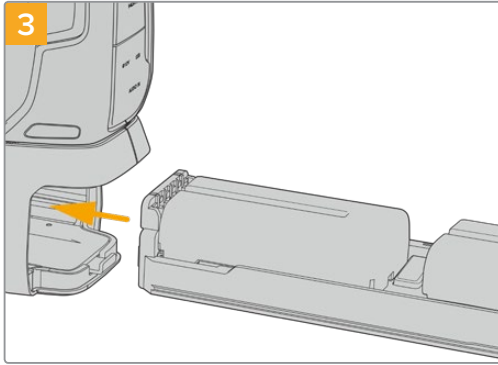
To insert batteries in Blackmagic Pocket Camera Battery Grip:



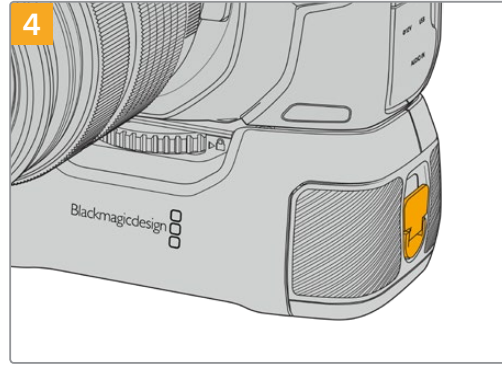
Twist the locking tab on the end of the battery grip anticlockwise to unlock the battery tray. Slide out the battery tray. You can do this before or after attaching Blackmagic Pocket Battery Grip to your camera.



Place two NP-F570 batteries into the battery tray, being careful of their orientation, and slide them away from each other. A tab between the batteries moves up to lock the batteries into place. When you want to remove the batteries, press down on this locking tab and slide the batteries toward each other.



Slide the battery tray into the battery grip and turn the locking tab clockwise. It's important to note that you can continue filming while changing batteries in the battery grip if your camera is powered by an external source plugged into the DC power input.



Twist the locking tab on the end of the battery grip clockwise to lock the battery tray.

TIP When you have Blackmagic Pocket Camera Battery Grip attached and two batteries inserted, the battery level indicator in the top right corner of the LCD touchscreen shows two battery icons so you can monitor their charge level independently. For more information, see the 'power' section.

Powering Your Camera with the Included Power Cable

The included 100-240 volt plug pack can be used to simultaneously power the camera and charge the LP-E6 battery or two NP-F570 batteries if you have Blackmagic Pocket Camera Battery Grip attached to your camera. The DC power connector locks to the camera so it cannot be accidentally disconnected.

To plug in external power:

- 1 Connect the AC to 12V DC adapter plug to your mains power socket.
- 2 Open the rubber protector on the left side of your camera and rotate the locking DC power connector so that it lines up with the recess on the top of the 12V DC power input. Gently push the connector into the input until it clicks.
- 3 To unplug the connector, pull the sheath away from the connector and remove the connector from the input.

If you have both external and battery power connected, only external power is used. If you remove external power while a charged battery is connected, your camera switches to battery power without interruption.

Your camera's LP-E6 battery can be charged via USB when the camera is switched off. This is convenient as you can use a portable power bank to charge the camera when not in use. Blackmagic Pocket Cinema Camera supports charging via standard 10W USB wall chargers and can also be used with chargers that support USB-Power Delivery, or USB PD. USB PD chargers typically have a USB-C connection and up to 20V output, so can provide a faster charge. Charging the LP-E6 battery via the 12V DC power input is supported when the camera is switched on or off.

TIP If charging a hot battery immediately after use, charging speed is reduced until the battery cools below 45 °C or 113 °F. We recommend letting the battery cool down for 15 minutes before charging.