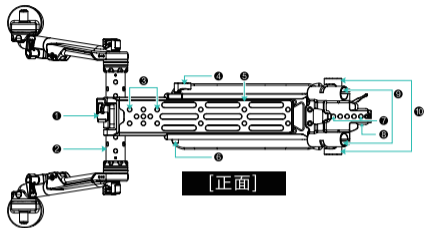
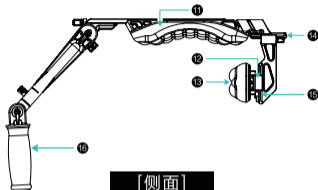


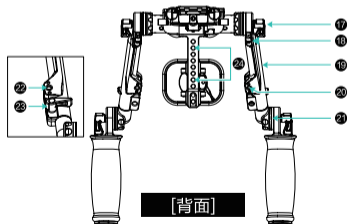
LIGHTWEIGHT 全能型肩架
TILTA SHOULDER RIG



[正面]



[侧面]



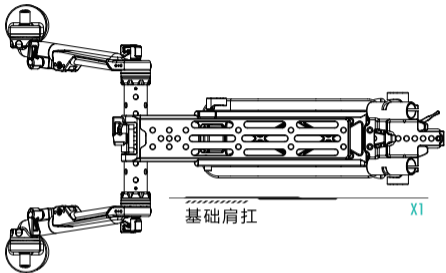
[背面]

- 1 纵向臂体锁紧手扭
- 2 纵向臂体
[25mm圆管夹持,可左右滑动调节]
- 3 1/4螺纹孔
- 4 滑板锁紧手扭
- 5 肩扛滑板
[豊富图标准,可前后伸缩调节安装机器的重心]
- 6 防脱按钮
- 7 1/4螺纹孔
- 8 NATO滑条
- 9 15mm管夹
[可接15mm圆管,后挂供电等外设]
- 10 15mm管夹锁紧手扭
- 11 聚氨酯肩托
[快拆魔术贴肩托,肩部与肩托的缓冲区域]
- 12 NATO标准
- 13 背托
[快拆魔术贴背托,20° 倾角调节贴合背部]
- 14 背托调节件
- 15 NATO滑条
[尾部衔接件侧面,可调节背托的位置]
- 16 简易手柄
- 17 臂体锁紧手扭
- 18 4.5mm线夹
- 19 臂体
- 20 1/4定位孔(右侧)
- 21 ARRI牙盘
- 22 1/4定位孔(左侧)
- 23 臂体伸缩锁紧手扭
- 24 1/4螺纹孔
[背托调节件背面]

02

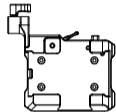


基础配置清单



基础肩扛

X1



复合底座

X1



复合底板

X1



工具包

X1

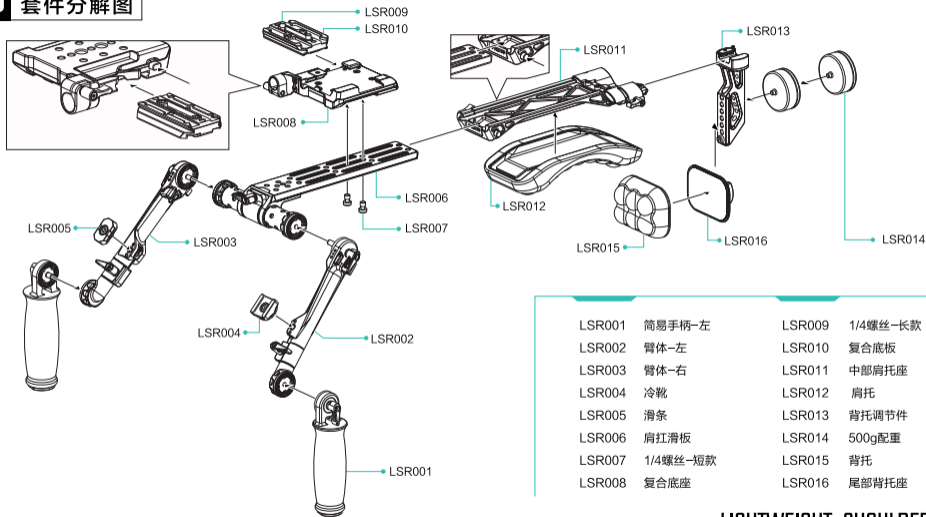


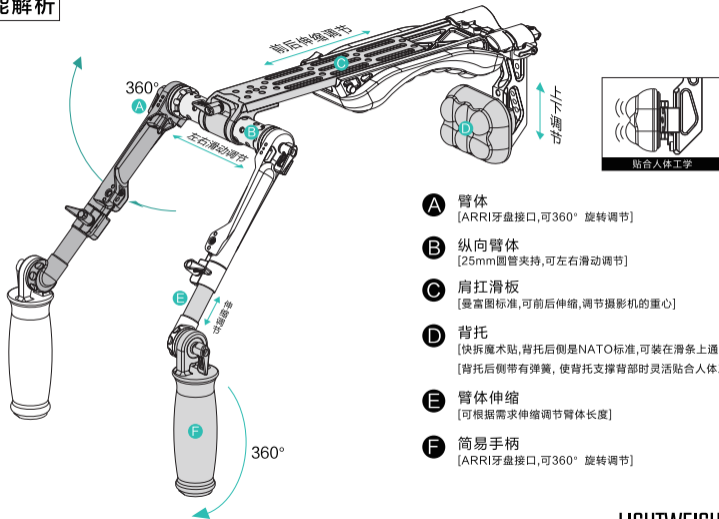
黑色软包

X1

03

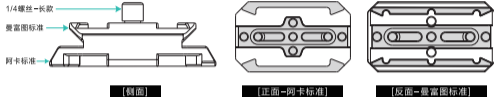
套件分解图





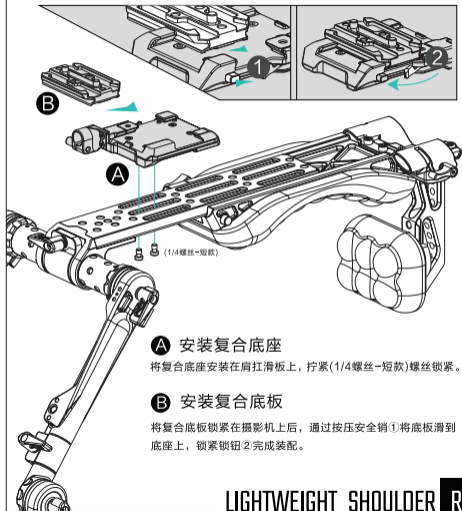
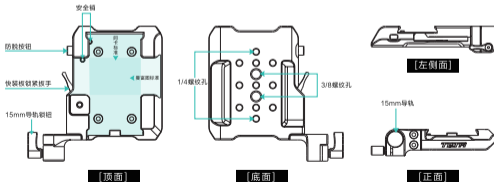
- A** 臂体
[ARRI牙盘接口,可360° 旋转调节]
- B** 纵向臂体
[25mm圆管夹持,可左右滑动调节]
- C** 肩扛滑板
[曼富图标准,可前后伸缩,调节摄影机的重心]
- D** 背托
[快拆魔术贴,背托后侧是NATO标准,可装在滑条上通过上下调节调整位置]
[背托后侧带有弹簧,使背托支撑背部时灵活贴合人体工学]
- E** 臂体伸缩
[可根据需求伸缩调节臂体长度]
- F** 简易手柄
[ARRI牙盘接口,可360° 旋转调节]

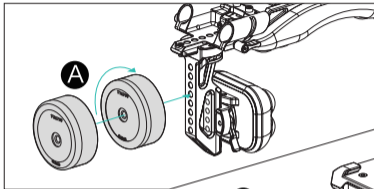
► 认识复合底板



正/反面为阿卡标准和曼富图标准, 根据实际情况, 选择适配的标准面装配在摄影机上。

► 认识复合底座

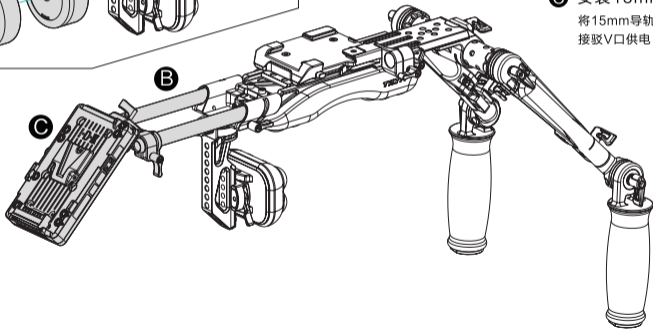




A

A 安装500g配重

将500g配重安装在背托调节件的1/4螺纹孔上，拧紧即可。



B

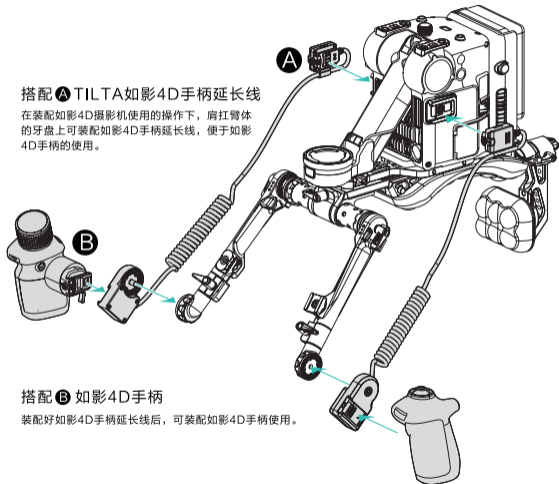
B 安装15mm导轨**C 安装15mm导轨接驳V口供电**

将15mm导轨安装在肩扛后侧上，可拓展15mm导轨接驳V口供电，连接电源线后可便于给摄影机供电。

C

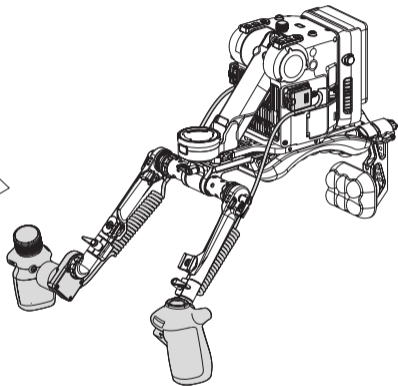
搭配 A TILTA如影4D手柄延长线

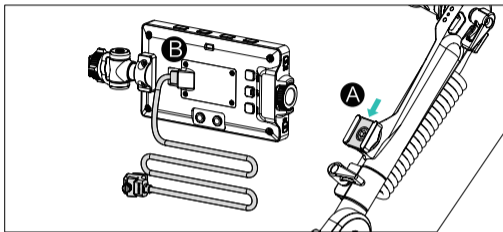
在装配如影4D摄影机使用的操作下，肩扛臂体的牙盘上可装配如影4D手柄延长线，便于如影4D手柄的使用。



搭配 B 如影4D手柄

装配好如影4D手柄延长线后，可装配如影4D手柄使用。



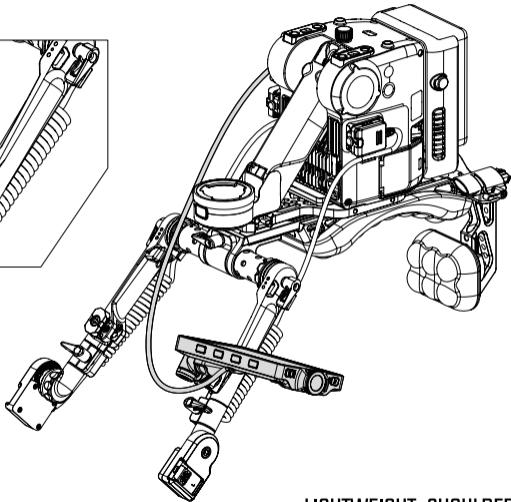
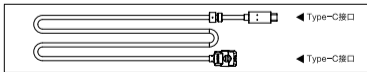


搭配 A DJI如影4D监视器

在肩扛上使用如影4D监视器时，可将其装配在拓展的冷靴接口上即可使用。

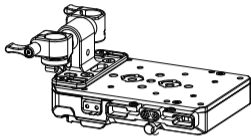
搭配 B TILTA如影4D监视器延长线

装配好监视器后，将延长线两端安插到监视器和摄影机上，完成装配。

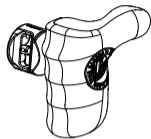




500g配重
TA-HR-CW-500



15mm导轨接驳V口供电
TA-BTP3-V-B



大师木手柄 & ARRI牙盘接驳件
TA-A(L)RWH-B & TA-AHA10-LR-B



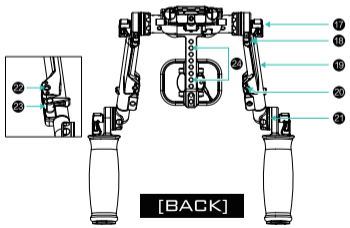
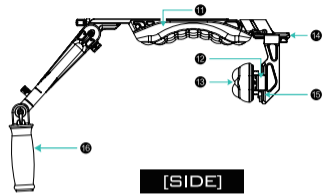
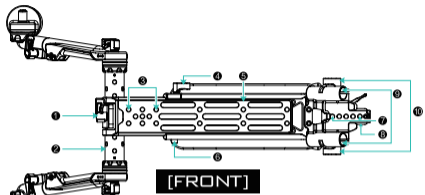
如影4D监视器延长线
ES-T09-MEC



如影4D手柄延长线
ES-T09-HEC



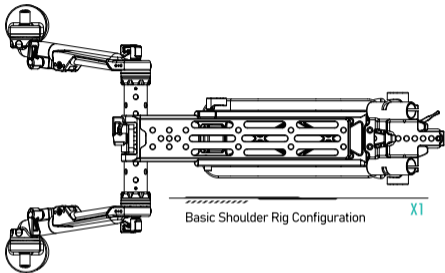
15*200mm导轨
R15-200-B



- 1 Handlebar Tie Down
- 2 Handlebar
[25mm rod with left and right adjustment flexibility.]
- 3 1/4"-20 Screw Hole
- 4 Tie Down for the Sliding Plate
- 5 Shoulder Rig Dovetail
[Manfrotto standard. Front and back adjustable center of gravity.]
- 6 Safety Pin
- 7 1/4"-20 Screw Hole
- 8 NATO Rail
- 9 15mm Rod Holder
[Compatible with 15mm rod. For mounting rear external battery plate.]
- 10 15mm Rod Holder Tie Down
- 11 Shoulder Pad
[Shoulder pad with velcro.]
- 12 NATO Rail
- 13 Rear Shoulder Support Pad
[Velcro for quick assembly. 20° adjustable angle for comfortable operation.]
- 14 Rear Shoulder Support Pad Adjustment
- 15 NATO Rail
[Support the adjustment of rear shoulder support pad.]
- 16 Handle
- 17 Arm Tie Down
- 18 4.5mm Cable Clamp
- 19 Arm
- 20 1/4"-20 Screw Hole with Locating Points [Right]
- 21 ARRI Rosette
- 22 1/4"-20 Screw Hole with Locating Points [Left]
- 23 Arm Extension Tie Down
- 24 1/4"-20 Screw Hole
[On the back of the rear shoulder support mount.]

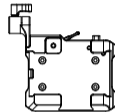


BASIC CONFIGURATION PACKING LIST



Basic Shoulder Rig Configuration

X1



Multifunctional Baseplate

X1



Multifunctional
Quick Release Plate

X1



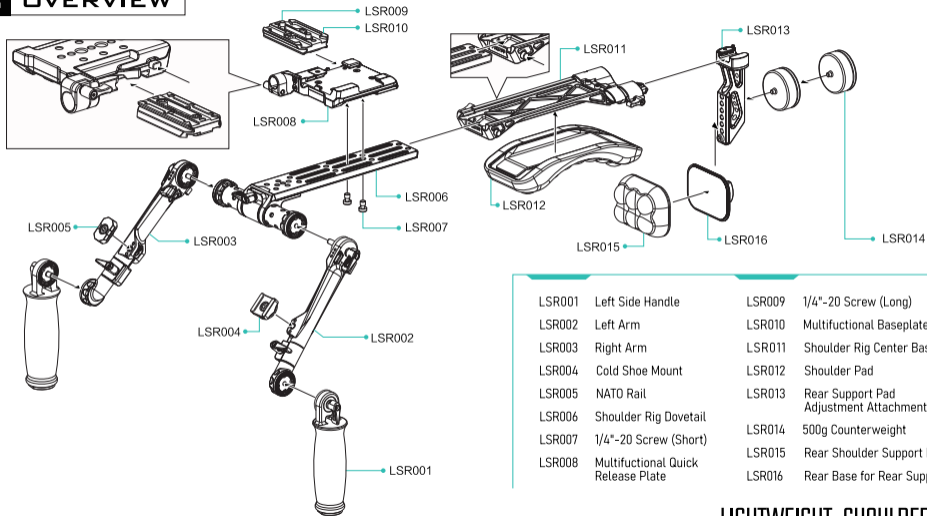
Tool Kit

X1

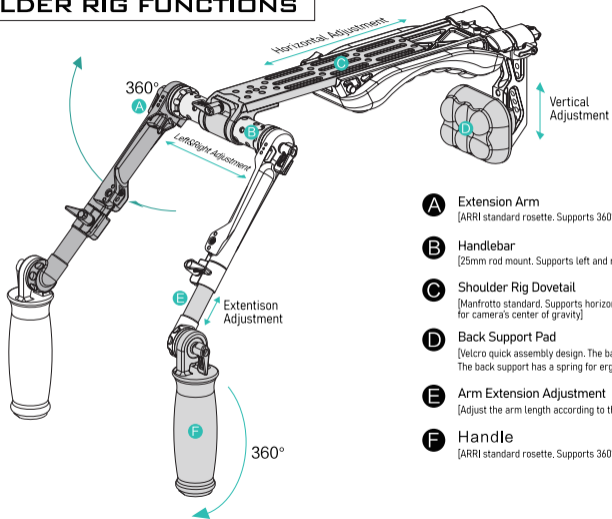


Soft Travel Case

X1



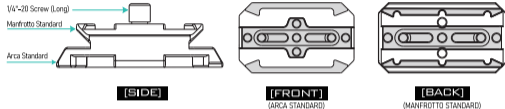
LSR001	Left Side Handle	LSR009	1/4"-20 Screw (Long)
LSR002	Left Arm	LSR010	Multifunctional Baseplate
LSR003	Right Arm	LSR011	Shoulder Rig Center Base
LSR004	Cold Shoe Mount	LSR012	Shoulder Pad
LSR005	NATO Rail	LSR013	Rear Support Pad Adjustment Attachment
LSR006	Shoulder Rig Dovetail	LSR014	500g Counterweight
LSR007	1/4"-20 Screw (Short)	LSR015	Rear Shoulder Support Pad
LSR008	Multifunctional Quick Release Plate	LSR016	Rear Base for Rear Support



- A** Extension Arm
[ARRI standard rosette. Supports 360° rotation.]
- B** Handlebar
[25mm rod mount. Supports left and right adjustment.]
- C** Shoulder Rig Dovetail
[Manfrotto standard. Supports horizontal adjustment for camera's center of gravity.]
- D** Back Support Pad
[Velcro quick assembly design. The back support can be adjusted vertically via the NATO rail. The back support has a spring for ergonomic fitting.]
- E** Arm Extension Adjustment
[Adjust the arm length according to the operating needs.]
- F** Handle
[ARRI standard rosette. Supports 360° rotation.]

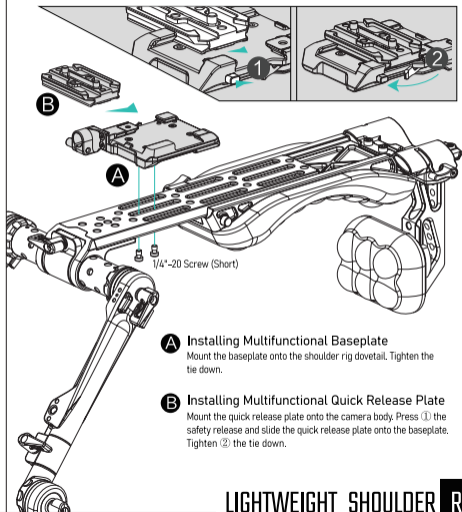
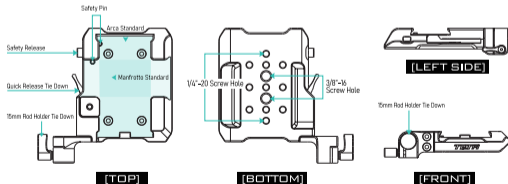
INSTALLING MULTIFUNCTIONAL QUICK RELEASE PLATE & BASEPLATE

► MULTIFUNCTIONAL QUICK RELEASE PLATE

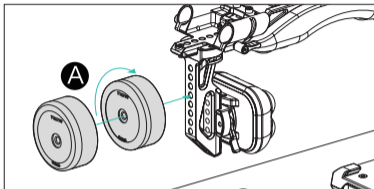


The Arca and Manfrotto standards are on different sides. Please choose the plate according to your mounting needs.

► MULTIFUNCTIONAL BASEPLATE



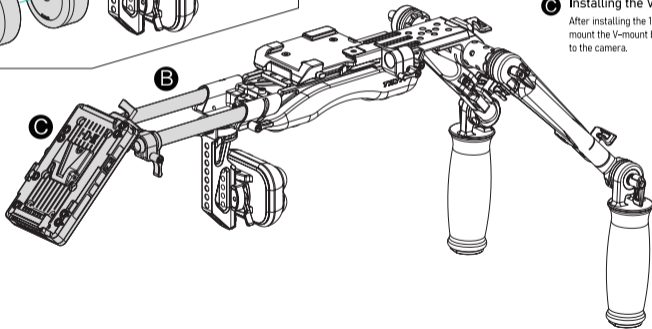
- A** **Installing Multifunctional Baseplate**
Mount the baseplate onto the shoulder rig dovetail. Tighten the tie down.
- B** **Installing Multifunctional Quick Release Plate**
Mount the quick release plate onto the camera body. Press ① the safety release and slide the quick release plate onto the baseplate. Tighten ② the tie down.

**A** Installing the 500g Counterweight

Mount the counterweight onto the 1/4"-20 threaded mount on the rear shoulder support attachment. Rotate to secure the counterweight.

B Installing the 15mm Rod Holder**C** Installing the V-Mount Battery Plate

After installing the 15mm rod holder to the rear of the shoulder rig, you can mount the V-mount battery plate. Connect the power cable to provide power to the camera.

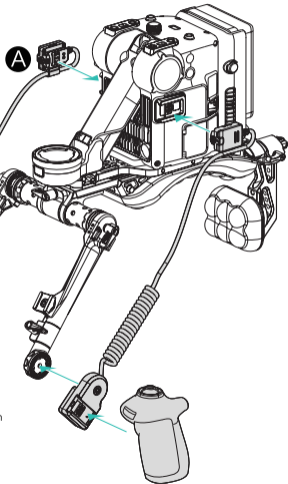




INSTALLING TILTA HANDLE EXTENSION CABLES FOR DJI RONIN 4D & RONIN 4D HANDGRIPS

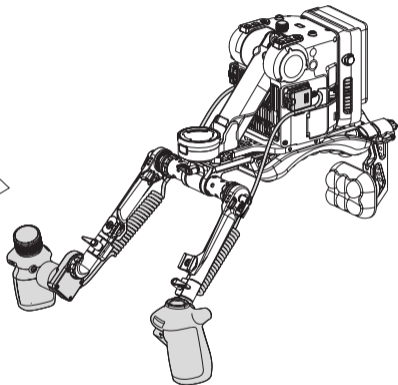
Mounting **A** the Ronin 4D Handgrip Extension Cable

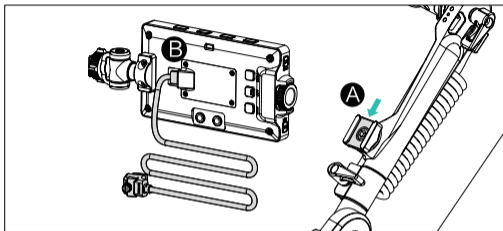
When using with the Ronin 4D camera, the Ronin 4D handgrip extension cable can be connected to the rosettes on the shoulder rig arms and serve the Ronin 4D handgrips.



Mounting **B** the Ronin 4D Handgrip

Install the Ronin 4D handgrip extension cable to connect with the Ronin 4D handgrip.



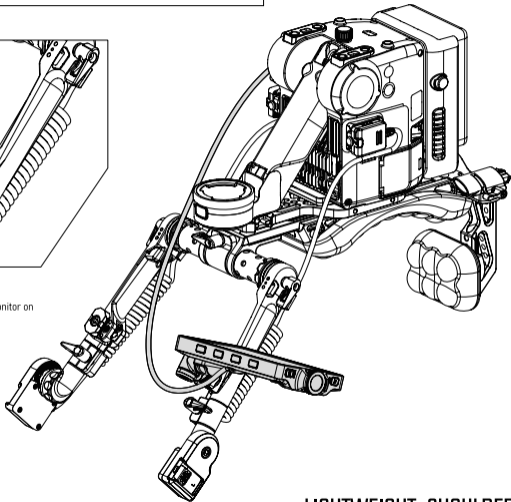
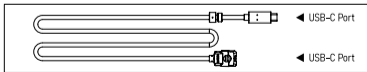


Installing **A** DJI Ronin 4D Monitor

The monitor can be installed to the cold shoe mount on the arm when using the DJI Ronin 4D monitor on the shoulder rig.

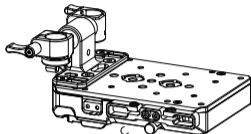
Installing **B** Tilta Monitor Extension Cable for DJI Ronin 4D

After mounting the monitor, plug in the cable on the monitor and the camera.

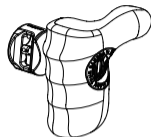




500g Counterweight
TA-HR-CW-500



Tilting Smart V-Mount Battery Plate
TA-BTP3-V-B



Tilting Advanced Right/Left Side Wooden Handle &
Tilting Advanced Side Handle Attachment Type X
TA-A(L)RWH-B & TA-AHA10-LR-B



Monitor Extension Cable for DJI Ronin 4D
ES-T09-MEC



Handle Extension Cables for DJI Ronin 4D
ES-T09-HEC



15*200mm Rod
R15-200-B

TILTA LIGHTWEIGHT SHOULDER RIG

全能型肩架