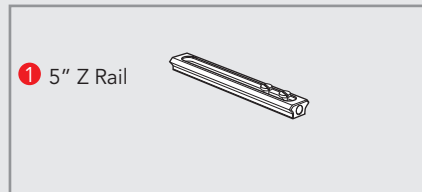
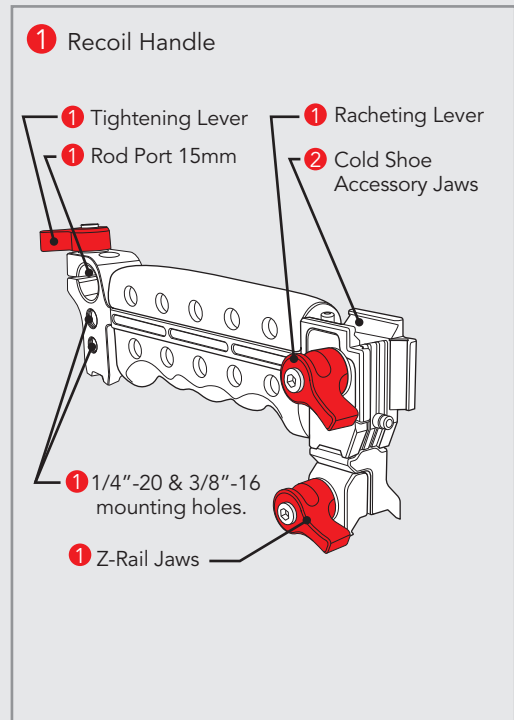
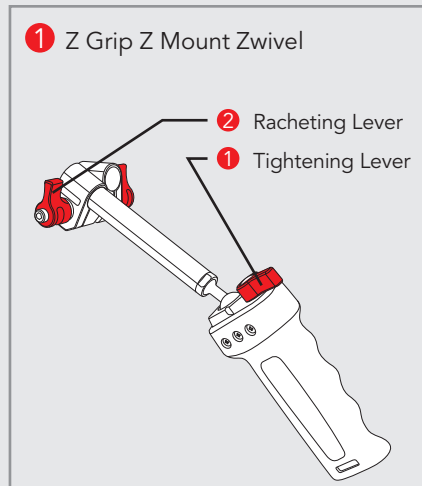
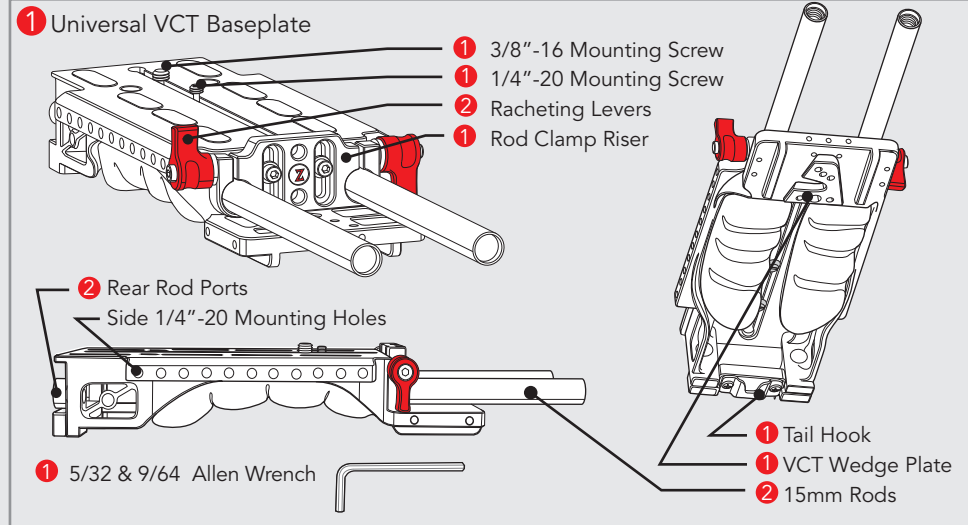




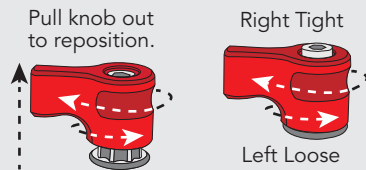
Cine EVF Recoil Kit

The Cine EVF Recoil rig is compatible with the RED One, Epic, Epic Dragon, Scarlet, Blackmagic Cinema Camera, AJA Cion, and ARRI ALEXA. It places your camera comfortably up on your shoulder and includes a handgrip and Recoil Handle top grip. Centered around the Universal VCT Baseplate, this kit allows you to transfer your rig from tripod to shoulder in seconds. The quick releasable Recoil Handle gives you a secure grip and provides numerous options to mount a variety of accessories, most importantly an EVF.

Parts & Features



Lever Usage



For additional assembly and individual component features, see numerical figures.

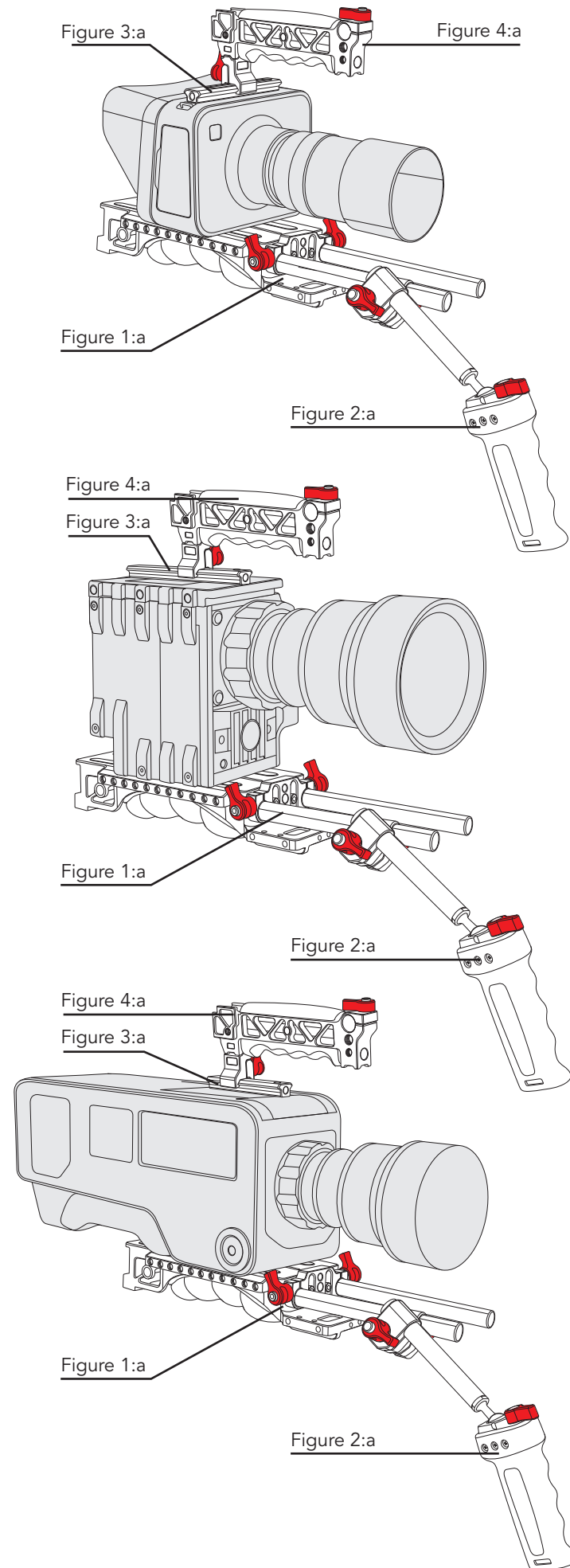


Figure 1:a Mounting Camera

- From the bottom of the VCT Plate, screw the 1/4"-20 and 3/8"-16 mounting screw into the bottom your camera.
- Before securing in place, add on accessories to help find the true balance of your camera. Align both the VCT and camera's center of balance and secure mounting screw in place.

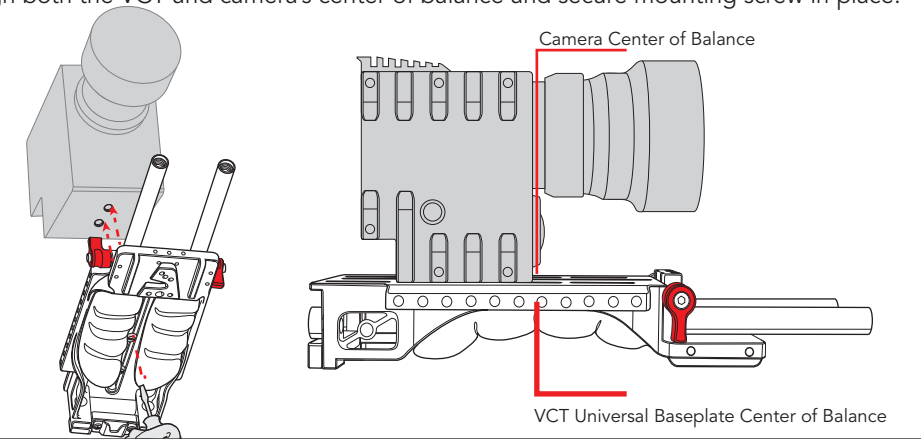


Figure 1:b Adjusting Rods

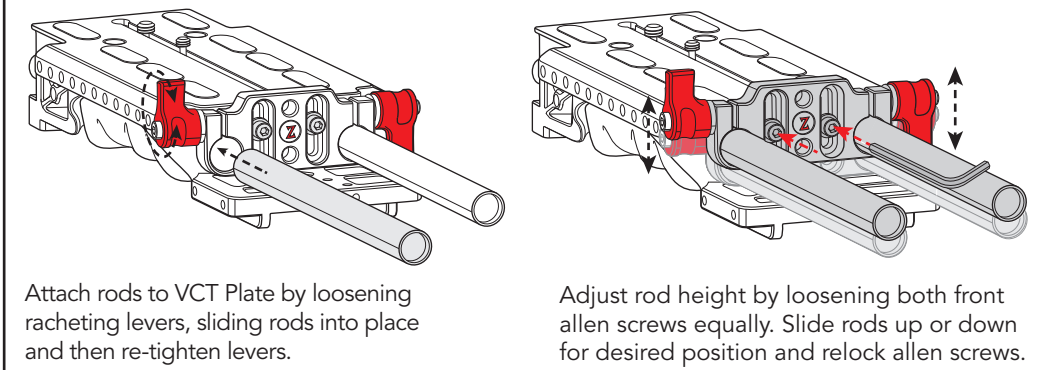
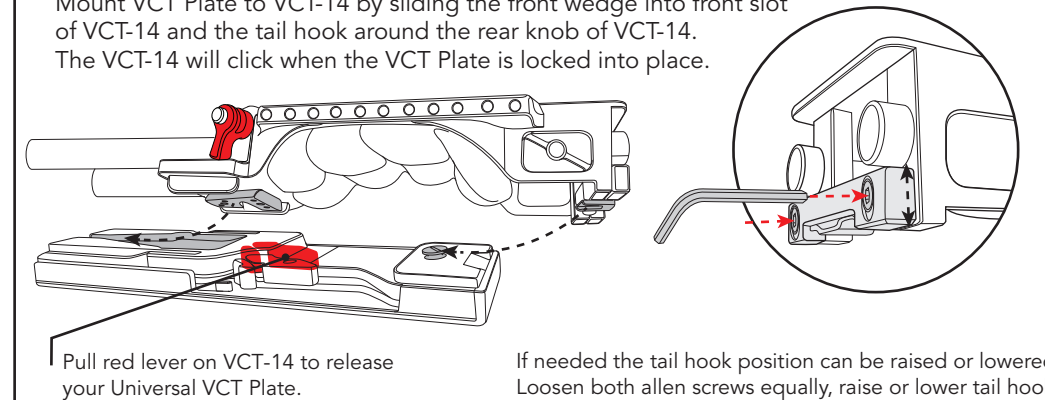


Figure 1:c Mounting VCT Plate to VCT-14 Tripod Quick Release Plate (VCT-14 Sold Separately)

Mount VCT Plate to VCT-14 by sliding the front wedge into front slot of VCT-14 and the tail hook around the rear knob of VCT-14. The VCT-14 will click when the VCT Plate is locked into place.



★ An alternative mounting method when using a tripod without a VCT14, is to mount your tripod's quick release wedge plate to the wedge on the bottom of the Universal VCT Plate.

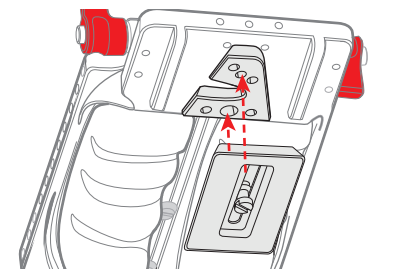


Figure 1:d Adjusting Rods

For Red Epic/Scarlet flip the rod clamp riser.

- 1 Remove both allen screws and separate front jeep with rods from VCT body.
- 2 Flip front rods over from original position.
- 3 Align and remount allen screws to VCT body. Adjust to desired height and relock allen screws.

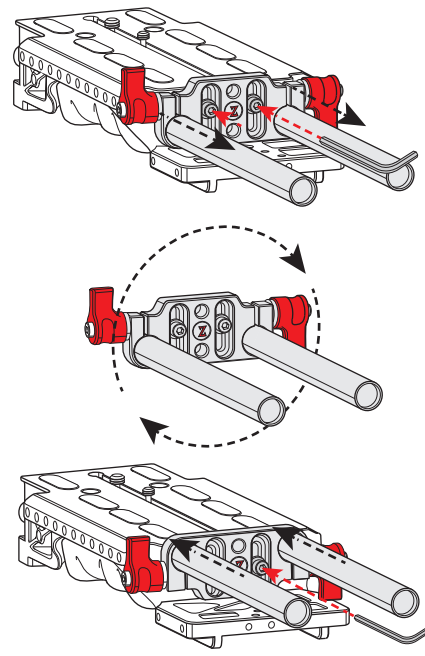
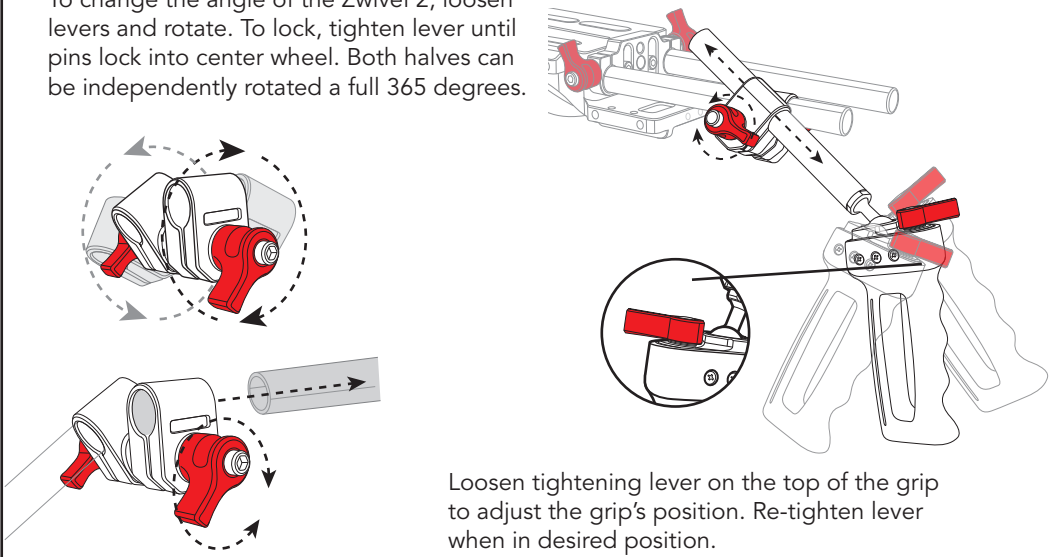


Figure 2:a Operating Z-Grip Z-Mount Zwiwel

To change the angle of the Zwiwel 2, loosen levers and rotate. To lock, tighten lever until pins lock into center wheel. Both halves can be independently rotated a full 365 degrees.



Loosen tightening lever on the top of the grip to adjust the grip's position. Re-tighten lever when in desired position.

Figure 3:a Mounting Z-Rail

Mount the 3" Z-Rail to the top of your camera using either the camera's cheese plate or mounting it directly to the camera.

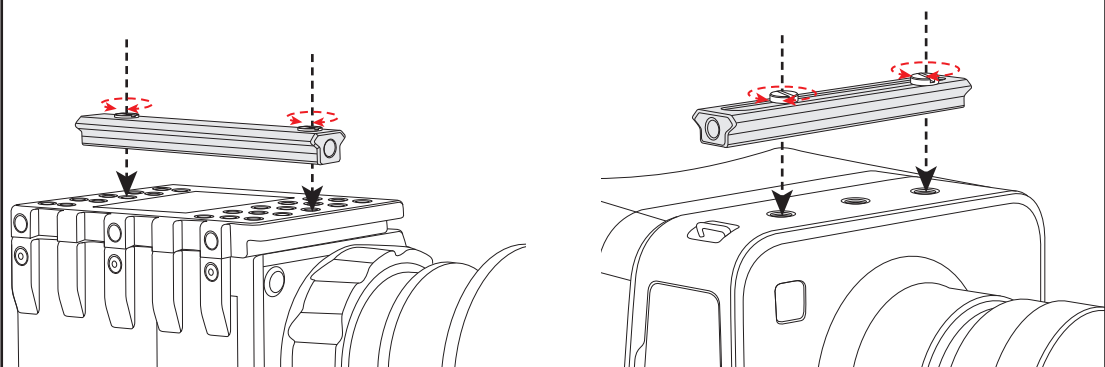
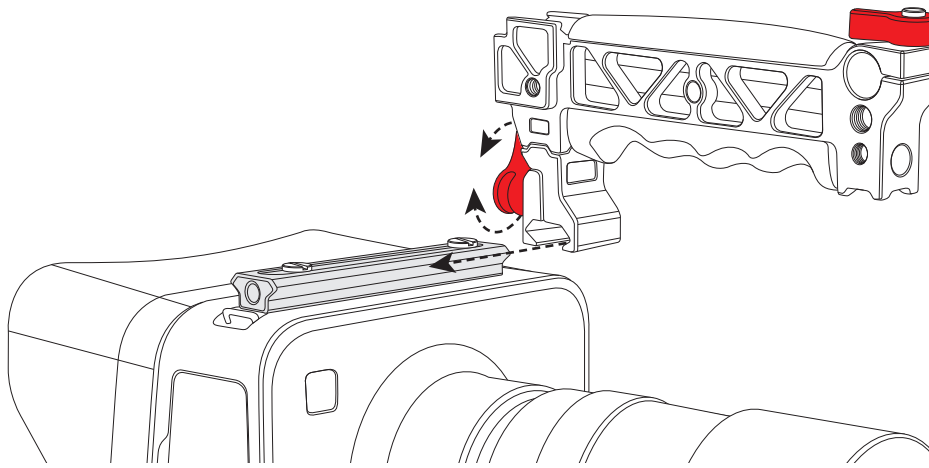
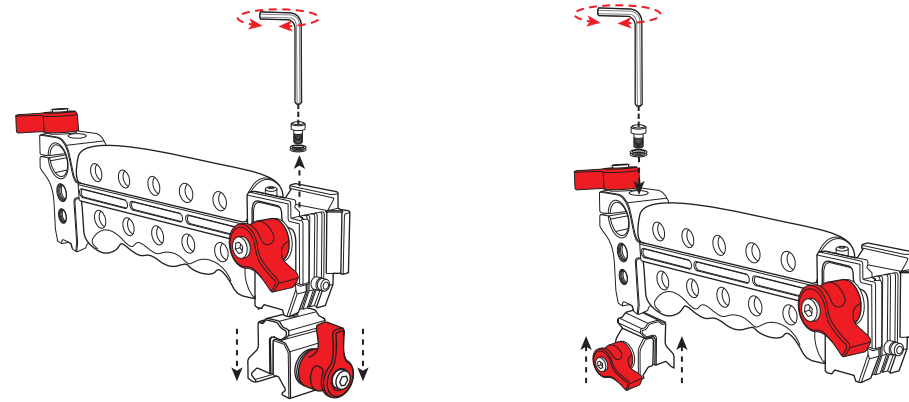


Figure 4:a Mounting your Recoil Handle

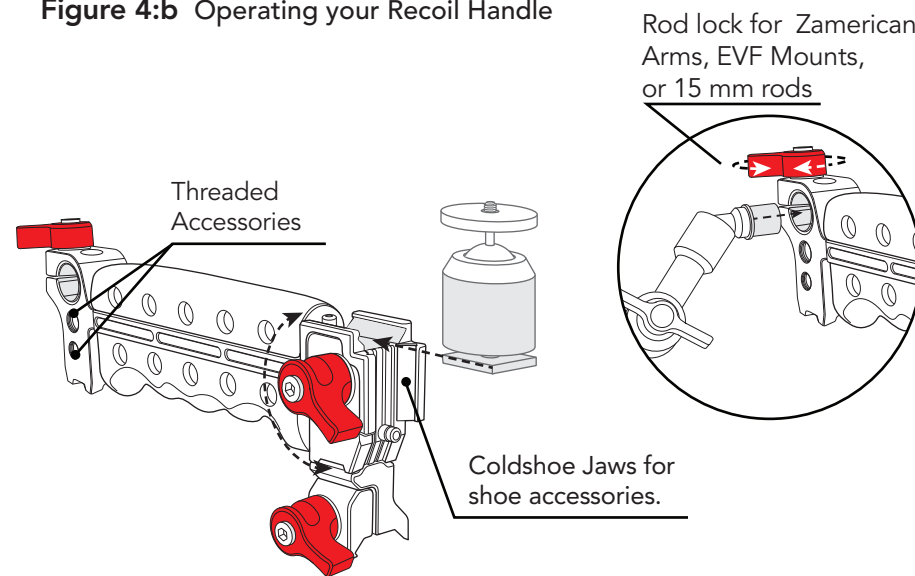


The jaws can be moved to either end of the handle or rotated 90 degrees to help position the handle and/or accessories in a balanced position.



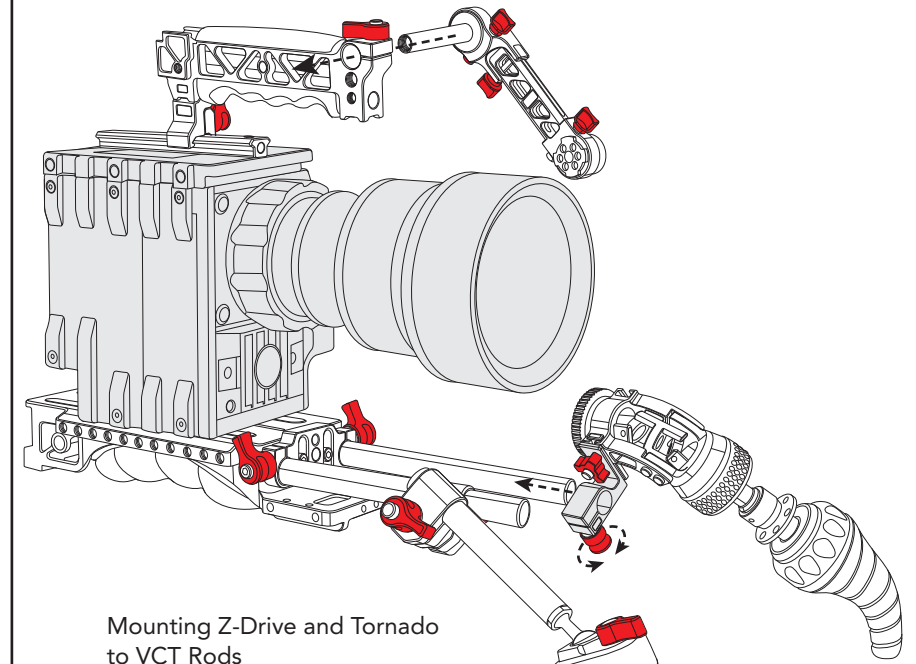
- 1 Remove allen screw and jaws connected to handle.
- 2 Align jaws with rear mount, and tighten allen screw in place.

Figure 4:b Operating your Recoil Handle

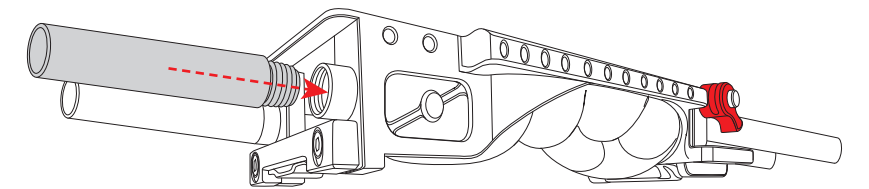


Additional Recoil Options Sold Separately

Mounting Axis Mini to Recoil Handle.



Rear rod supports can be added for larger rigs requiring batteries or additional accessories.



See front figure for full correct Assembly
Check out our tutorial videos at zacuto.com
For additional accessories visit store.zacuto.com