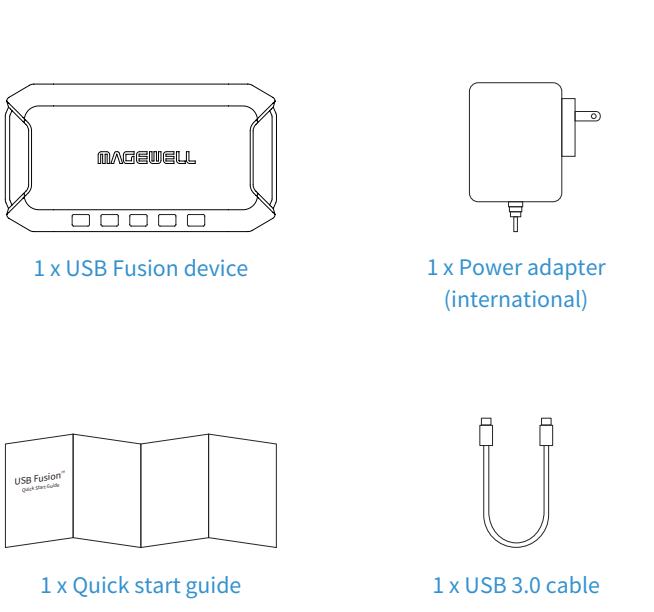
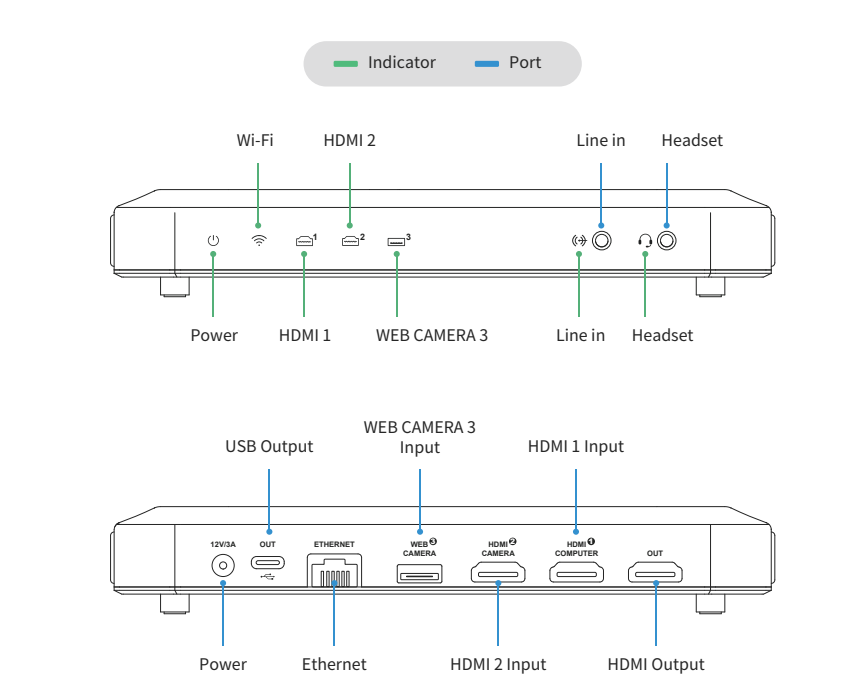


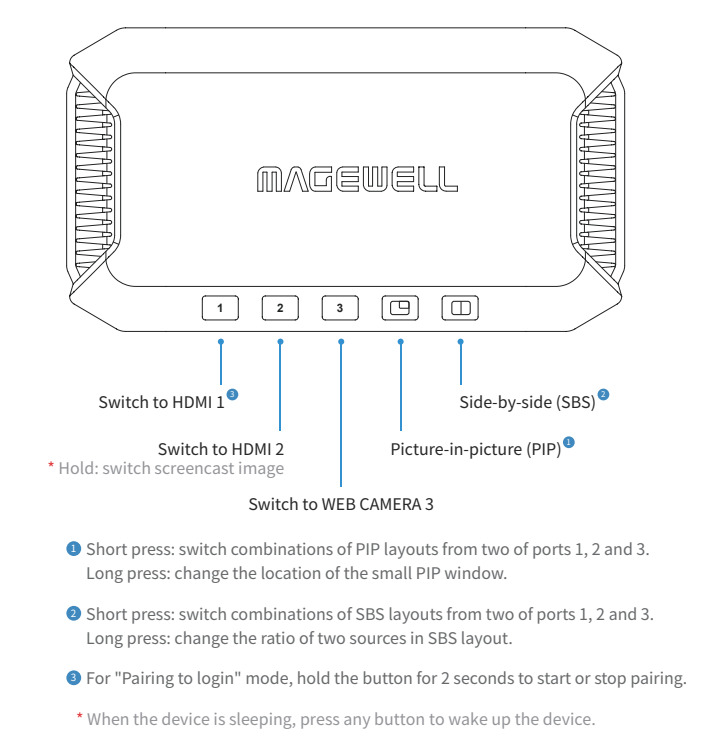
## Package



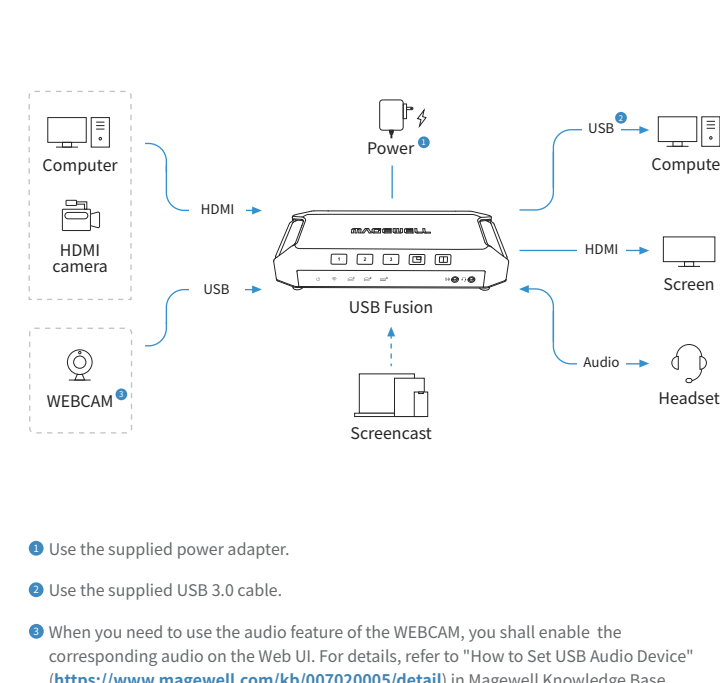
## Indicators & Ports



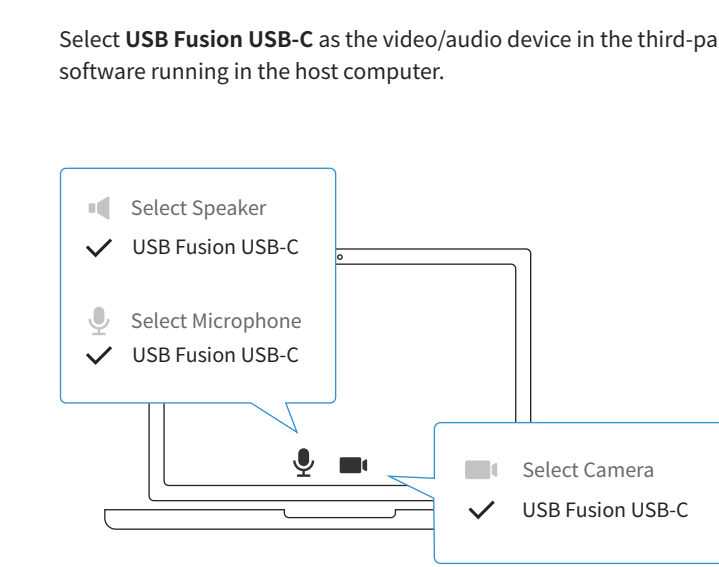
## Buttons



## Typical Connection



## Configuration in Software



## App & Web UI

**USB Fusion App**

Download the App to your tablet, and then refer to "How to use the USB Fusion App" (<https://www.magewell.com/kb/007020011/detail>).

**Web UI**

- On the computer connected to the USB OUT port, open a browser and access 192.168.66.1.
 

\*Supported OS: Windows 10 19H1 & later, macOS 10.12 & later, Linux.
- Enter the user name Admin and password Admin to log in.
 

User name: Admin Password: Admin

3. After the first login, you can go to "System > Network" to view or set IP address, and then you can access Web UI by using the IP address.  
 \*After login, you can go to "Output > Stream" to configure RTMP servers and start streaming.

## Warranty

The duration of the free limited warranty is two (2) years for the USB Fusion family and one (1) year for the accessories. For detailed warranty information, refer to [www.magewell.com/quality-assurance](http://www.magewell.com/quality-assurance).

This guide is for reference only and does not constitute any form of commitment. Products and product features (including but not limited to color, size, screen display, etc.) are subject to change without notice and are as found on the actual product.

## Technical Support

If you have any problems using Magewell products or need more technical information, please submit your questions in the online Ticket System (<https://tickets.magewell.com>).

For more information, visit our official website [www.magewell.com](http://www.magewell.com).