

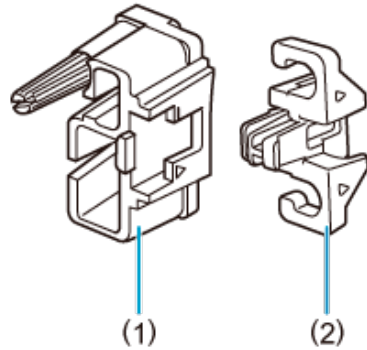
## Using the Cable Protector

When connecting cables (an interface cable or HDMI cable), use the included cable protector. Using the cable protector helps prevent accidental disconnection and terminal damage.

- When connecting the camera to a computer, use a Canon cable (included or sold separately).
- When connecting the camera to a television or other display device, use a commercially available HDMI cable.

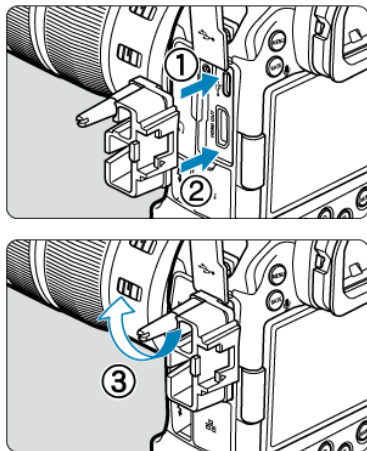
### Preparation

#### 1. Prepare the cable protector.



- The cable protector consists of the protector (1) and a clamp (2).

#### 2. Attach the protector to the camera.

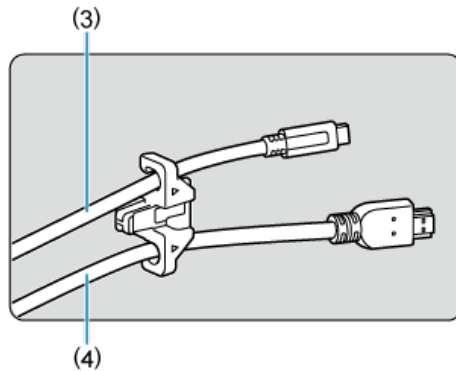


## Cable insertion/connection

Insert the cables in the clamp, attach the clamp to the protector, then connect the cables to the camera.

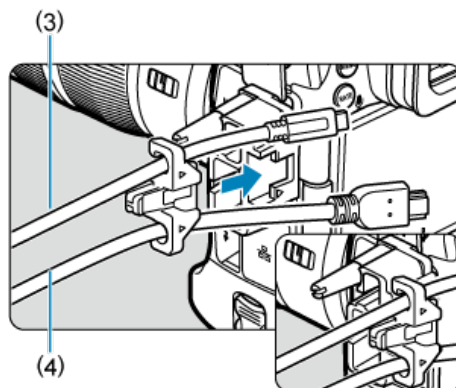
**With both a Canon interface cable and an HDMI cable**

### 1. Pass each cable through the clamp.

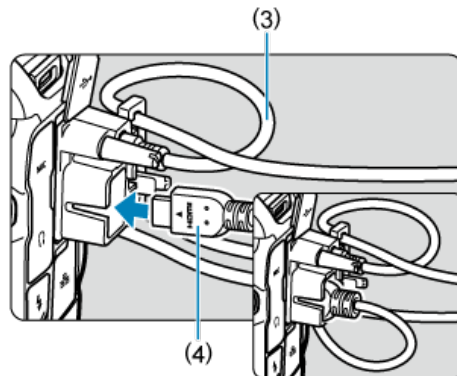


- (3) Canon interface cable
- (4) HDMI cable

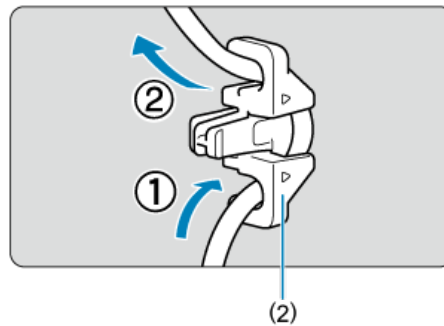
### 2. Attach the clamp to the protector.



### 3. Connect each cable to the camera.



#### With only a Canon interface cable or HDMI cable



Pass the cable through the clamp (2) as shown, then attach the clamp to the protector.

#### ⚠ Caution

- Using the camera when an interface cable or HDMI cable is connected without the cable protector may damage the camera terminal. Make sure each cable is securely connected to the camera terminal.