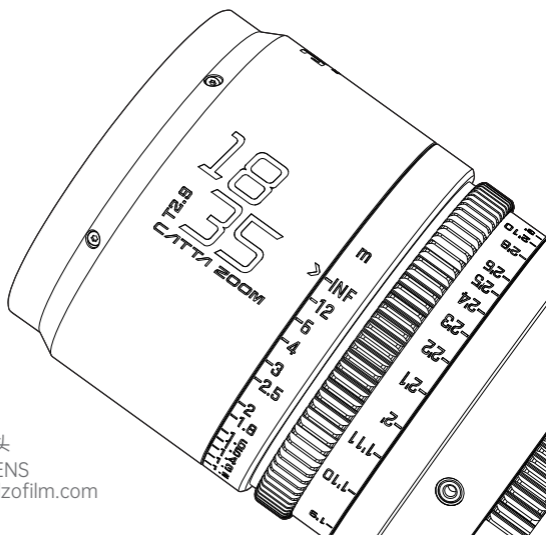


DZOFILM
MAKE YOUR MOVIE

CATTA ACE ZOOM LENS USER'S MANUAL

无邪Ace变焦镜头使用说明书



电影镜头

CINE LENS

www.dzofilm.com

Contents

Introduction	1
Safety Notes	1
Lens Parts	2
Lens Control	3
Flange Back Adjustment	4
1. Preparation	4
2. Flange Back Adjustment	4
Specification	6
After-sales Service	7
The Name and Content of Hazardous Substances	8

Note

 Click to go

Users can read the table of content(TOC) to have an overview of the Gnosis Product Manual. Please click on the title or link to jump to the TOC

 Search keyword

The Search-keyword Function is available in PDF Document. For In WPS Office, Windows users can search keywords with the keyboa shortcut <Ctrl+F> and Mac users can execute the same function with shortcut <Command+F>

Introduction

Thank you for your purchase of this product!

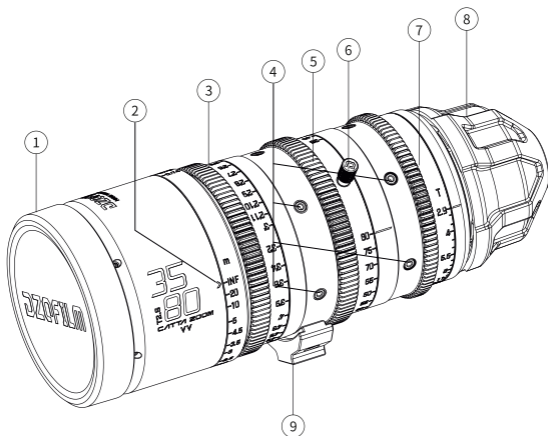
CATTA ACE is DZOFILM's high-performance full frame cinema zoom lens. It allows you to reproduce the details and color in filming. Clear images, natural transition from in-focus to defocus and minimal breathing in focusing...all these can be found in CATTA ACE Zoom. A good companion for your documentary/ TVC/ MV/ commercials/ online movie/ variety show/ Live/ independent films, etc. This manual is applicable to the whole series of CATTA ACE lenses which includes 18-35mm, 35-80mm and 70-135mm.

Safety Notes

- Please do not watch the sun or bright light source through the lens, otherwise it will cause visually disabled.
- Never use organic solvents such as paint thinner or benzene to clean the lens.
- Attach the front and rear caps when the lens is not in use.
- Store the lens and filter in cool, dry locations to prevent mold and rust. Do not store in direct sunlight or with naphtha or camphor moth balls.
- Please keep the lens dry and wipe the water droplets off if there are water droplets on the glass surface.
- Leaving the lens near heater or in other extremely hot locations could cause damage or warping.
- Use a blower to remove dust and lint from the glass surfaces of the lens or filter. To remove smudges and fingerprints, apply a small amount of lens cleaner to a soft, clean cotton cloth or lens-cleaning tissue and clean from the center outwards using a circular motion. Do not leave smears or touch the glass with your finger.

Lens Parts

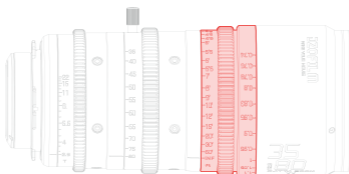
- ① Front Cap
- ② Lens Mark
- ③ Focusing Ring
- ④ Screw Holes for Accessories*10
(M3, 3mm deep)
- ⑤ Zoom Ring
- ⑥ Zoom Lever Socket
- ⑦ Aperture Ring
- ⑧ Rear Cap
- ⑨ Support Base



Lens Control

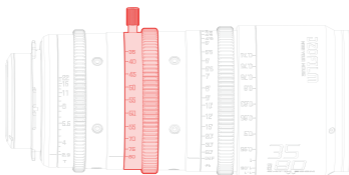
Focus Control

Rotate the focus ring to increase or decrease the focus distance.



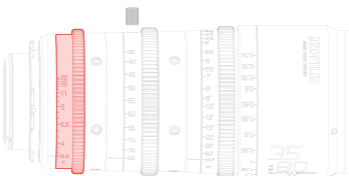
Zoom Control

Rotate the zoom ring to zoom out, increasing the area visible in the frame or zoom in on the subject so that it fills a larger area in the frame.



Aperture Control

Rotate the aperture ring to stop aperture down, raising the T-stop and narrowing the aperture, or lower the T-stop to widen the aperture.



Flange Back Adjustment

DZOFILM will check and adjust flange back distance of all CATTACE lenses before shipping. But the flange back distance might have slight difference among different cameras. To achieve the best performance and match different cameras, flange back adjustment is needed.

1.Preparation

Step One : Ready your subject. You can use a "Star Chart", or other high-resolution black-and-white objects;

Note : You can download and print the chart on DZOFILM website-Download-Star Chart for Adjusting Back Flange ([Click to jump to the website](#))

Step Two : Attach the lens to the camera;

Step Three : Select the maximum aperture (wide open);

Step Four : Set the object 1.5m away from the camera sensor plane, and adjust it to the center of the whole image.

2.Flange Back Adjustment

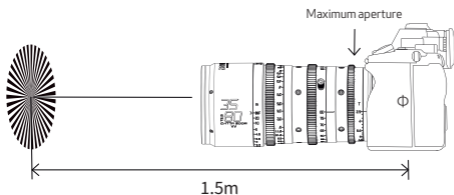
Step One : Rotate the zoom ring to the longest focal length, and rotate the focus ring until the image to its clearest, mark down the focusing distance S_1 ;

Step Two : Rotate the zoom ring to the widest focal length and rotate the focus ring until the image to its clearest, mark down the focusing distance S_2 ;

Step Three : Compare the difference between S_2 and S_1 . If $S_2 < S_1$, then need to add shims; otherwise decrease the shims,

Note : The shim adjustment is evaluated on the angle between S_2 and S_1 . If the angle is bigger, then need to change more shims and vice versa.

Step Four : Repeat step1-2 until $S_2 = S_1$. Then it means the lens in under parfocal.



Set the object 1.5m away from the camera sensor plane, and adjust it to the center of the whole image.

Take CATTACE zoom 35-80mm as an example:

Rotate the focal length to 80mm, and focus till the image is at its sharpest, the focusing distance mark is 1.5m (S1). And then rotate the zoom ring to 35mm, re-focus to the image at its sharpest, current focusing distance mark is 1.4m (S2). $S2 < S1$. According to the sheet below, add 0.12mm shims on the lens mount and double check. At this time, both 35mm and 80mm focus at the closest under 1.5 focus mark. That means this lens is under parfocal.

CATTA ACE Adjustment Reference**18-35mm shim adjustment reference**

35mm focusing mark S1 (m)	1.5								
18mm focusing mark S2 (m)	1.1	1.2	1.3	1.4	1.5	1.6	1.8	2	2.5
Shim adjustment (mm)	+0.4	+0.27	+0.18	+0.08	0	-0.07	-0.19	-0.25	-0.45

35-80mm shim adjustment reference

80mm focusing mark S1 (m)	1.5								
35mm focusing mark S2 (m)	1.2	1.3	1.4	1.5	1.6	1.7	1.8	2	2.2
Shim adjustment (mm)	+0.3	+0.19	+0.12	0	-0.08	-0.13	-0.18	-0.23	-0.3

70-135mm shim adjustment reference

135mm focusing mark S1 (m)	1.5					
70mm focusing mark S2 (m)	1.4	1.45	1.5	1.55	1.6	1.65
Shim adjustment (mm)	+0.3	+0.13	0	-0.1	-0.22	-0.3

Note: Shim adjustment: "+" means adding shims, and "-" decreasing shims.

Specification

Specification			
Focal Length	18-35mm	35-80mm	70-135mm
Mount	PL/EF/LPL		
Aperture	T2.9-22		
Image Circle	Φ43.5mm (Full Frame)	Φ46.5mm (Vista Vision)	
Close Focus (Metric/Imperial)	0.51m/1ft8in	0.74m/2ft5in	0.76m/2ft6in
Zoom Ratio	1.9X	2.3X	1.9X
Mag. Ratio (Close Focus)	18mm: 0.064 35mm: 0.118	35mm: 0.0657 80mm: 0.146	70mm: 0.112 135mm: 0.214
Flange Distance	PL=52mm,EF/LPL=44mm		
Iris Control	Manual, max 77°	Manual, max 75°	Manual, max 80°
Focus Control	Manual, max 270°		
Zoom Control	Manual, max 100°		
Front Dia. (Metric/Imperial)	Φ80mm/3.15"		
Filter Size	M77		
Length (Metric/Imperial)	From lens front plane to flange back: 179.5mm/7.07" (PL);187.5mm/7.38"(EF/LPL)		
Iris Blade	16		
Weight	1850g	1635g	1710g

After-sales Service

Repairs : Return the product to the point of purchase for repairs. Please note that we reserve the right to refuse service in the event of damage so severe that there is little hope of function being restored, whether said damage is caused by physical shocks, exposure to or immersion in sand, mud, or water or the like.

Warranty service : Should the product malfunction in the course of normal use as set forth in the user's manual and accompanying documentation, it may be returned to the point of purchase for repairs within warranty period. The owner is responsible for all shipping costs. The warranty period varies with the country or region of purchase. Stored dated receipts or other proof of purchase in a safe place, as it will be required for repairs made under warranty.

Service Outside the Warranty Period : Request for service will normally be accepted within a period of roughly 5 years following the end of production, during which time spares will be kept on hand, although owners may be offered an equivalent product during this period in the event that spares are not available. Compatibility with consumables and accessories for the original product is not guaranteed. To prevent waste, repairs or replacement may be made using refurbished parts or products, and DZOFILM may collect returned parts or products for later use. When returning a product for repair, please let us know if you need the original parts.

Privacy : DZOFILM obeys all applicable laws and regulations concerning the handling of names, addresses, phone numbers, and other personal information provided by users.

The Name and Content of Hazardous Substances

Part Name	Hazardous Substances					
	Pb	Hg	Cd	Cr(VI)	PBB	PBDE
Lens Shell	○	○	○	○	○	○
Inner Mechanics	×	○	○	○	○	○
Optics	○	○	○	○	○	○
Other Parts	○	○	○	○	○	○

This table is formulated in accordance of SJ/T11364.

○: Indicates that the concentration of the hazardous substance in all homogeneous materials in the parts is below the relevant threshold of the GB/T26572 standard.

×: Indicates that the concentration of the hazardous substance of at least one of all homogeneous materials in the parts may be above the relevant threshold of the GB/T26572 standard.

The "×" in the above table indicates that there are one or more exemptions are applied in the parts stated in RoHS (2011/65/EU).

Shenzhen Dongzheng Optical Technology Co., Ltd.

Floor 6, Building One, Xinwuxia Industrial Area, No.32, Cuibao Rd.,
Baolong St., Longgang Dist., Shenzhen 518000, China

 www.dzofilm.com

深圳市东正光学技术股份有限公司

广东深圳市龙岗区宝龙街道翠宝路32号
新屋吓工业园1栋6楼整层

 www.dzofilm.com



 www.dzofilm.com



 WECHAT: DZOFILM